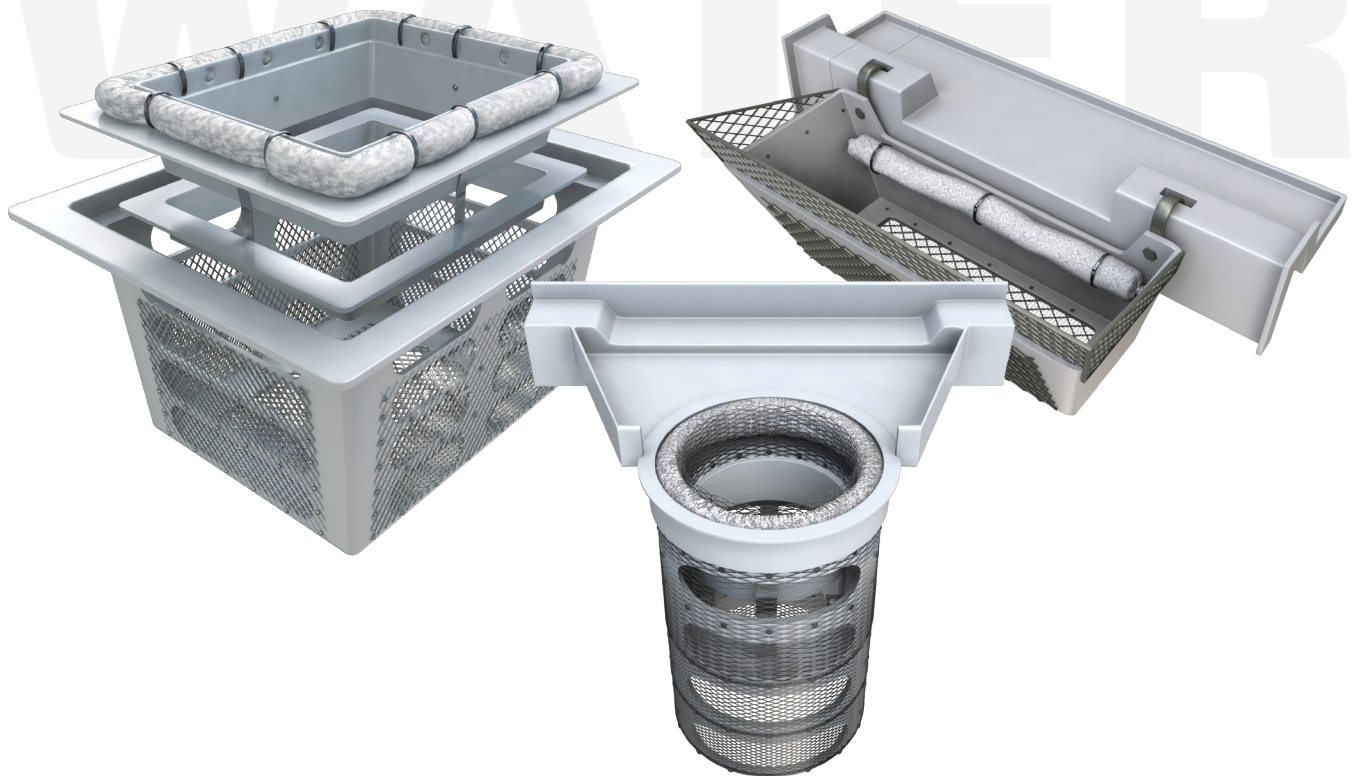




# STORM INLET FILTER SYSTEMS WATER

## Installation Manual Version 1



Oldcastle Infrastructure™  
798 Clearlake Road, Suite 2  
Cocoa, Florida 32922

321.637.7552  
[www.oldcastleinfrastructure.com](http://www.oldcastleinfrastructure.com)



# TABLE OF CONTENTS

Warning	pg 03
Ordering Information	pg 04
Delivery & Preparation	pg 05
Device Information	pg 06
Inspection Information	pg 07
Installation Protocol	pg 08
Installation Procedure	pg 09
Requirements and Parts	pg 23
Measurement Forms	pg 24
Warranty	pg 26
Contact Information	pg 27



# WARNING

**Read the Following Information, Instructions and Warnings Before Inspecting or Installing this Stormwater Treatment Device.**

This manual is intended to explain the installation specifics and safety procedures for the Oldcastle Infrastructure Gate Inlet Skimmer Box™, Curb Inlet Basket™ and High Capacity Curb Inlet Basket™. It is the responsibility of all personnel to familiarize themselves with, understand and comply with all applicable local, state and federal laws before attempting to inspect or install these units.

All precautions and procedures in this manual are current at the time of printing but are subject to change based on the development of new processes and procedures. Oldcastle Infrastructure assumes no responsibility and is not accountable for any injuries, fines, penalties or losses that occur involving any procedure in this manual or other unaddressable actions taken.

The performance of the Gate Inlet Skimmer Box, Curb Inlet Basket and High Capacity Curb Inlet Basket is based on the procedures being followed in this manual. Non-Compliance with any of the outlined measures will be the responsibility of the owner.



# ORDERING INFORMATION

---

## Order Placement

Oldcastle Infrastructure will begin Grate Inlet Skimmer Box, Curb Inlet Basket or High Capacity Curb Inlet Basket fabrication upon receipt of the following customer documentation:

- 1 Approved drawings, signed by the Project Engineer or another entity having the same authority for approval
  - 2 A signed copy of the Oldcastle Proposal documentation
  - 3 Deposit of 25% of the order as down payment
  - 4 Notice to Owner information regarding project details
- 

## Standard Terms & Conditions

- 1 All pricing is FOB point of origin with freight allowed to jobsite. Purchaser may cancel order due to project cancellation, but will be liable for payment as follows:
  - 5% of total order if canceled prior to submittal approval
  - up to 25% if order is canceled after submittal approval has been received by Oldcastle Infrastructure
  - up to 75% if order has been released to manufacturing

Orders canceled for reasons besides project cancellation may be billed at greater amounts at the sole discretion of Oldcastle Infrastructure. Production of the GISB™, CIB™ or HCCIB™ will begin upon receipt of items listed in Order Placement. Oldcastle products are custom fabricated and are not return eligible. Purchaser agrees to provide suitable access to jobsite for delivery including traffic control and personnel. Delays caused by Purchaser past the two (2) hour period are subject to billing at the rate of \$175.00 per hour minimum. Oldcastle will not accept back charges without prior written approval and cost validation. The purchaser agrees to provide a safe delivery site and comply with Federal, State, and Local safety requirements. The purchaser further agrees to hold Oldcastle harmless and to defend any and all actions, claims, suits and proceedings that may subject Oldcastle Infrastructure to liability due to Purchaser's failure to provide a safe delivery site.

- 2 All orders must be shipped within 30 days of manufacturing completion or else a storage charge of 5% per month of the selling price will be charged.
- Inlet Filter Systems Installation Manual



# DELIVERY & PREPARATION

---

## Delivery & Unloading

Oldcastle Infrastructure will ensure delivery of the respective Grate Inlet Skimmer Box, Curb Inlet Basket or High Capacity Curb Inlet Basket to the installation site in accordance with the Contractor / Distributor. The Installation Contractor will require and is responsible for providing the necessary unloading materials, tools and apparatus at the time of device installation.

Installation Tools & Equipment:

- Camera
- Manhole Hook / Prybar
- Flashlight
- Traffic Control Devices
- Writing Materials
- Suitable Clothing
- Tape Measure
- Confined Space Entry Equipment (if necessary)

---

## Site Preparation

The Installation Contractor is responsible for all installation site preparation and ensuring proper safety procedures and protocols are followed.

- Installation Contractors will adhere to all jurisdictional and/or OSHA safety rules in providing adequate protection if confined space entry is required.
- The Owner or Installation Contractor is responsible for appropriately barricading the catch basin from traffic in accordance with local codes.



# DEVICE INFORMATION

---

## About Oldcastle Infrastructure Inlet Filtration Systems

The following Oldcastle Infrastructure inlet filtration systems are specialized multistage units with the primary function of capturing gross solid pollutants from stormwater runoff such as trash, debris, foliage and sediment as well as hydrocarbons via StormBoom filtration media. Each filtration device incorporates a non clogging filtration screen design with integrated bypass, allowing for maximum pollution capture and unimpeded runoff conveyance, aptly averting any flood conditions within the inlet.

The Grate Inlet Skimmer Box (GISB), Curb Inlet Basket (CIB) and High Capacity Curb Inlet Basket (HCCIB) devices are constructed from high tensile marine grade fiberglass and stainless steel to ensure strength, longevity and durability. This effectively affords each filtration unit the ability to retain hundreds of pounds of debris and sediment while ensuring a non damaging design when servicing or weight compromises. Easy to install and simple to service, each filtration device requires little to no mounting equipment, can be implemented as new construction or retrofit BMPs and serviced either by hand or vacuum truck via direct access through the grate or manhole.



# INSPECTION INFORMATION

---

## Inspection Protocol

The Grate Inlet Skimmer Box, Curb Inlet Basket and High Capacity Curb Inlet Basket are key components of a stormwater management program. To ensure for proper operation, preliminary inspection of the structural components upon delivery is essential to ensure that no damage occurred during shipping. The Grate Inlet Skimmer Box, Curb Inlet Basket and High Capacity Curb Inlet Basket each designed and manufactured by Oldcastle Infrastructure, contain patented technologies to effectively both treat and manage stormwater runoff.

Inspection of the Oldcastle Infrastructure Grate Inlet Skimmer Box, Curb Inlet Basket and High Capacity Curb Inlet Basket systems are to be inspected at the time of delivery by both the site owner and installation contractor. Any non conformance to approved drawings or damage to any part of the respective system must be documented on the respective shipping ticket. Damage to any of the devices during and after unloading shall be corrected at the expense of the installation contractor. Any necessary repairs to said devices must be brought into compliance with the project engineer.

Local and State regulations may require inspections every 90 days. Oldcastle Infrastructure recommends inspections be conducted upon delivery, then every six (6) months thereafter to maintain optimal operational efficiency.



# INSTALLATION PROTOCOL

---

## Installation Information & Responsibilities

- 1 Each Grate Inlet Skimmer Box, Curb Inlet Basket or High Capacity Curb Inlet Basket is constructed based on the site locations and catch basin sizes shown on the approved drawings / measurement sheets. Any modification to said specifications must be approved by the Engineer of Record.
- 2 All inlet filtration devices shall be installed based on the locations and elevations according to the sizes shown on the approved drawings. Any modifications to the elevation shall be at the discretion of and approved by the Engineer
- 3 It is recommended that catch basins are properly cleaned and inspected for any damage or irregularities prior to installing any devices. If installation points on walls are irregular or damaged, grind the concrete down to create an even mounting surface.

## Note

Prior to installation, refer to approved drawings and field measurements to ensure site conditions are properly met.



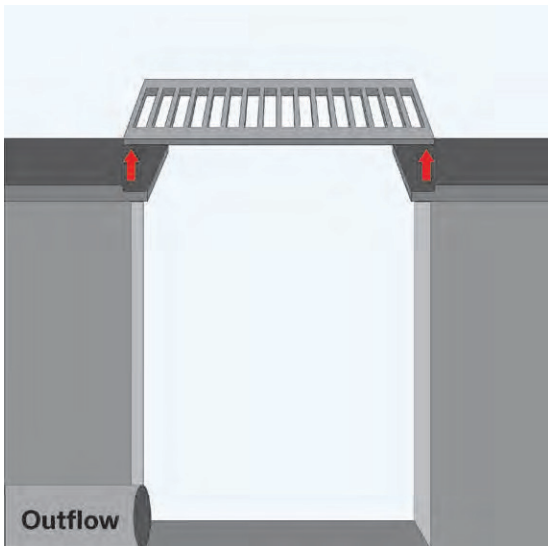


# INSTALLATION PROCEDURE

## GISB Installation Protocol (Standard Configuration)

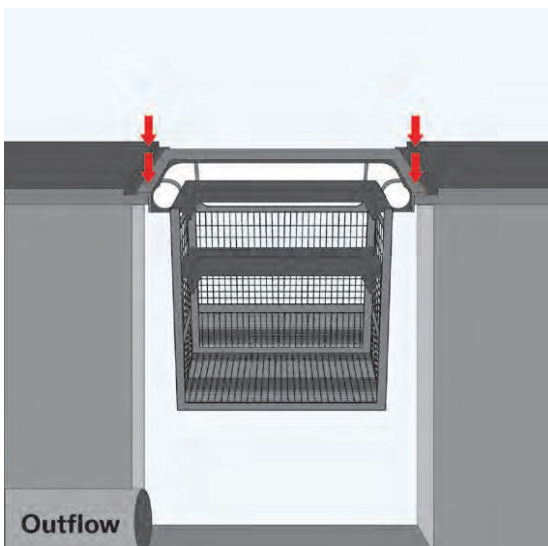
The standard configuration installation procedure for the GISB requires minimal equipment, no confined space entry and installs within minutes.

### 1 Remove the grate



Remove grate from catch basin and set aside.

### 2 Lower GISB into catch basin



Lower GISB into catch basin, resting securely under the grate via a mounting flange.

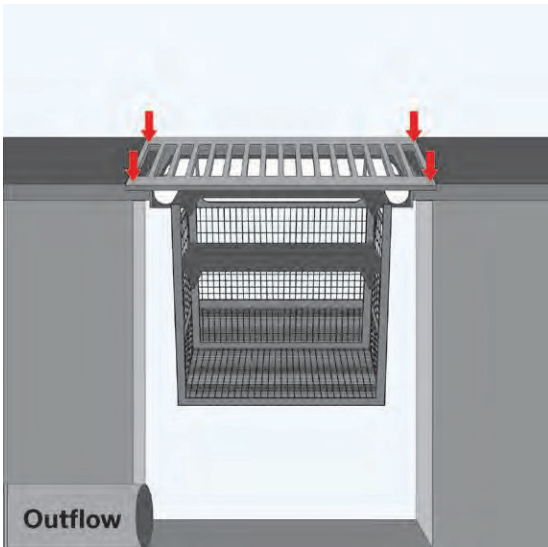
(Trimming of flange may be necessary to achieve a proper fit.)



# INSTALLATION PROCEDURE

## GISB Installation Protocol (Standard Configuration) Continued

### 3 Replace the grate



Replace grate into position in catch basin and on top of GISB mounting flange.

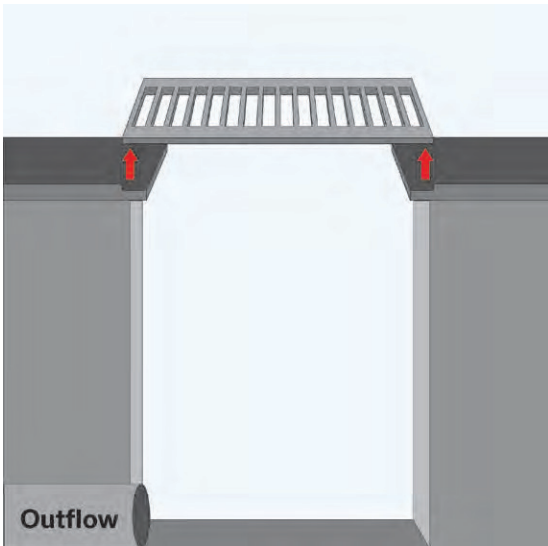


# INSTALLATION PROCEDURE

## GISB Installation Protocol (Under Mount Support Configuration)

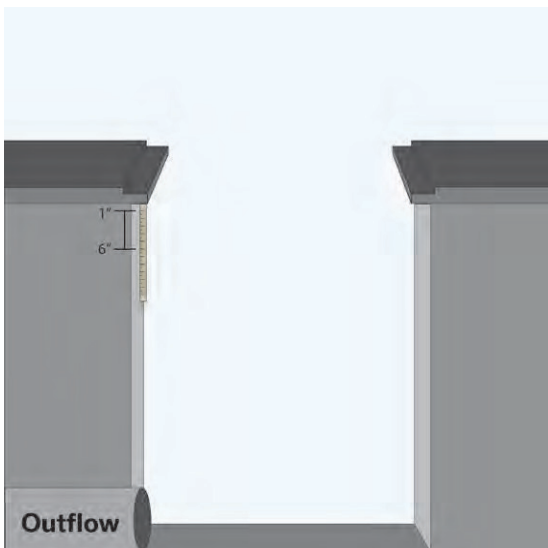
The under mount configuration installation procedure for the GISB requires extra equipment and possible confined space entry.

### 1 Remove the grate



Remove grate from catch basin and set aside.

### 2 Measure & mark 1" - 6" from grate



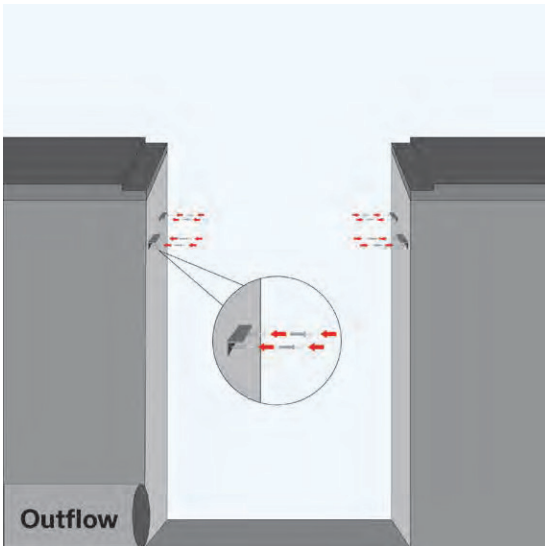
Measure thickness of grate and how far grate reaches below the grate landing. Mark locations for the GISB mounting angles at approximately 1" to 6" below the bottom of the grate.



# INSTALLATION PROCEDURE

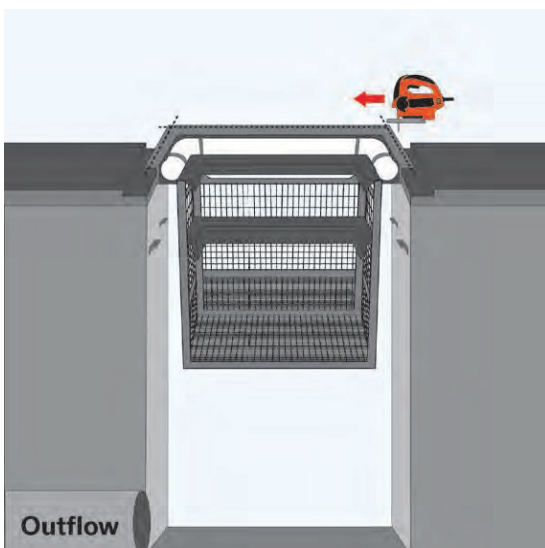
## GISB Installation Protocol (Under Mount Support Configuration) Continued

### 3 Remove the grate



Place each angle in line with measured markings in the catch basin. Use a hammer drill to drill through predrilled holes in the angles and into the concrete. Secure each angle with drive pins so that angles are tightly secured against the basin walls.

### 4 Measure & mark 1" - 6" from grate



After securely installing each angle, the GISB can then be dropped into place onto the angles. If the mounting flange exceeds the dimensions of the grate landing, trim the flange to fit using either a jigsaw or a skill saw.

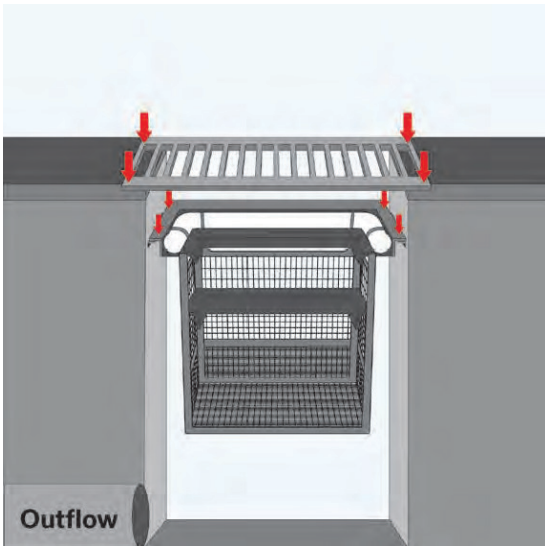


# INSTALLATION PROCEDURE

## GISB Installation Protocol (Under Mount Support Configuration) Continued

---

### 5 Insert GISB and replace the grate



Place GISB into position in catch basin and on top of mounting angles. Replace grate into frame landing.



# INSTALLATION PROCEDURE

## HCCIB Installation Protocol (Standard Configuration)

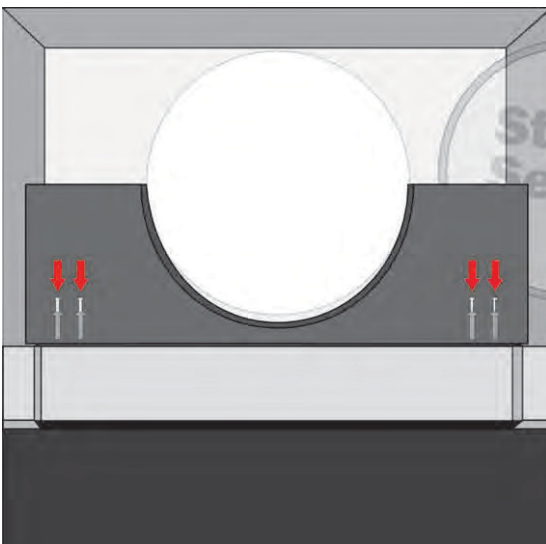
The standard configuration installation procedure for the HCCIB is as follows:

### 1 Remove the manhole cover



Remove the manhole cover from the catch basin and set aside.

### 2 Install basket yoke



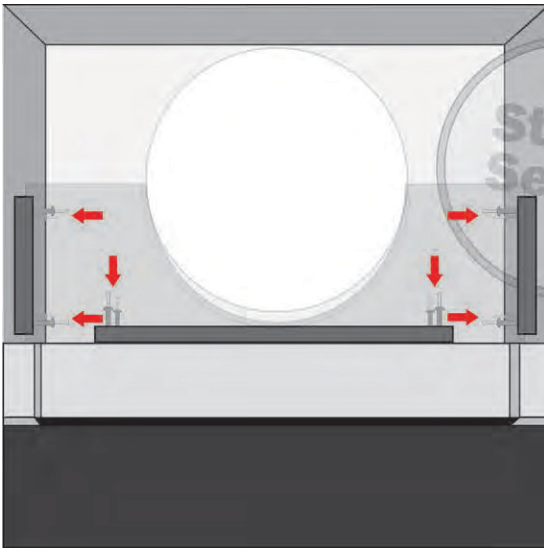
Attach basket yoke to catch basin wall with top of mounting flange, located just below the curb throat opening with included drive pins.



# INSTALLATION PROCEDURE

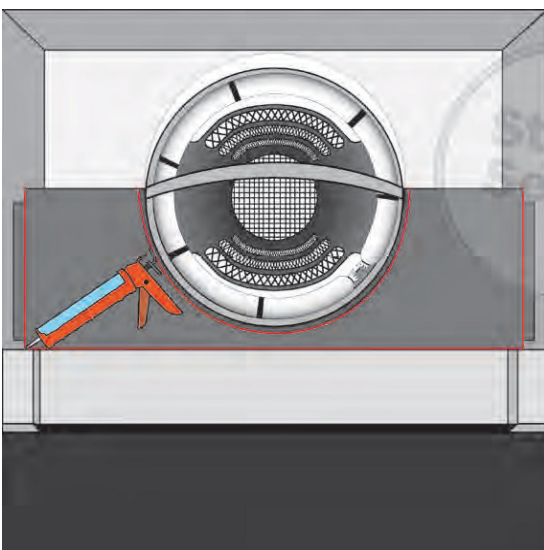
## HCCIB Installation Protocol (Standard Configuration) Continued

### 3 Install aluminum angle



Install aluminum angle under each end and the center position of the yoke with the included drive pins.

### 4 Lower HCCIB into catch basin



Lower HCCIB into place within yoke. All basket yoke edges, angles and troughs may be sealed with waterproof caulking.



# INSTALLATION PROCEDURE

## HCCIB Installation Protocol (Standard Configuration) Continued

---

### 5 Replace the manhole cover



Replace manhole cover into the frame landing.





# INSTALLATION PROCEDURE

## HCCIB Installation Protocol (Trough Configuration)

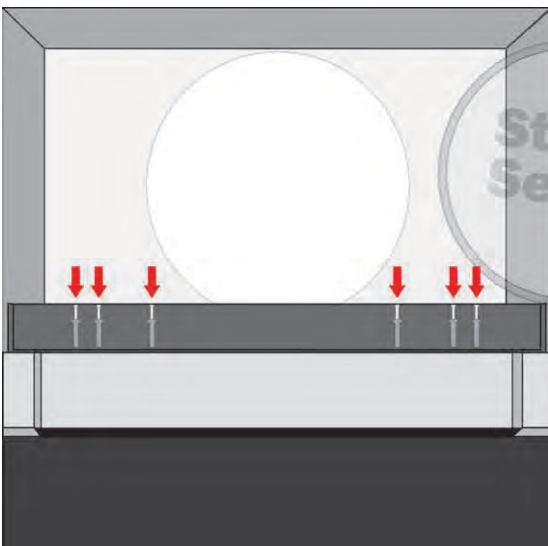
The trough configuration installation procedure for the HCCIB is as follows:

### 1 Remove the manhole cover



Remove the manhole cover from the catch basin and set aside.

### 2 Install trough below throat opening



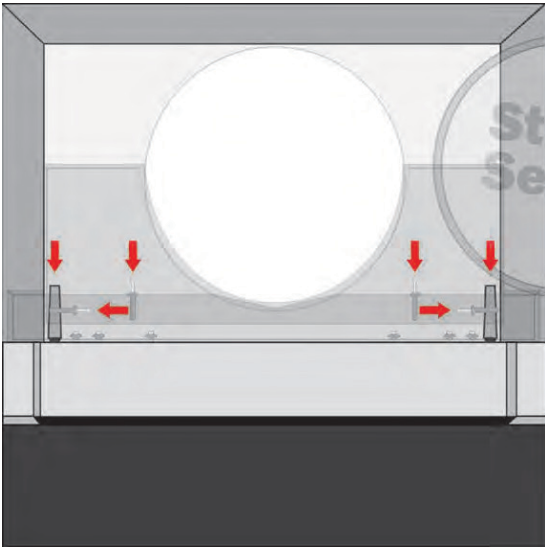
Attach trough to catch basin wall with top of mounting flange just below curb throat opening, using drive pins provided. Place trough so yoke will be centered under the manhole cover.



# INSTALLATION PROCEDURE

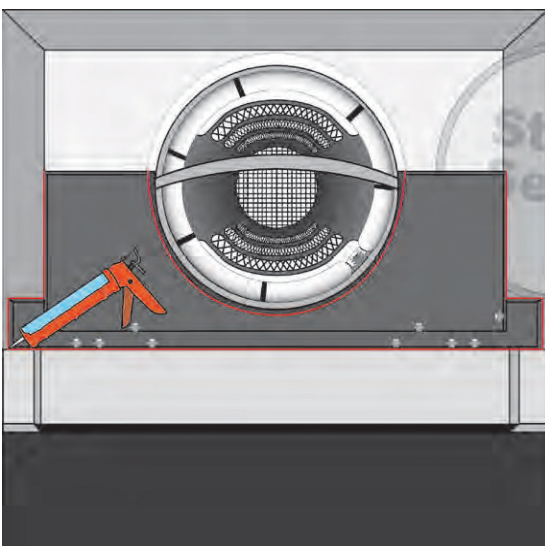
## HCCIB Installation Protocol (Trough Configuration) Continued

### 3 Install basket yoke with angle supports



Secure yoke to trough with fasteners. Place angled support bracket 4" away from basket hole so that bracket is flush with bottom of yoke and the catch basin wall. Fasten the angle to the yoke and wall. Repeat steps on the opposite side of the basket.

### 4 Lower HCCIB into catch basin



Lower HCCIB into place within yoke. All basket yoke edges, angles and troughs may be sealed with waterproof caulking.



# INSTALLATION PROCEDURE

## HCCIB Installation Protocol (Trough Configuration) Continued

---

### 5 Replace the manhole cover



Replace manhole cover into the frame landing.



# INSTALLATION PROCEDURE

## CIB Installation Protocol (Standard Configuration)

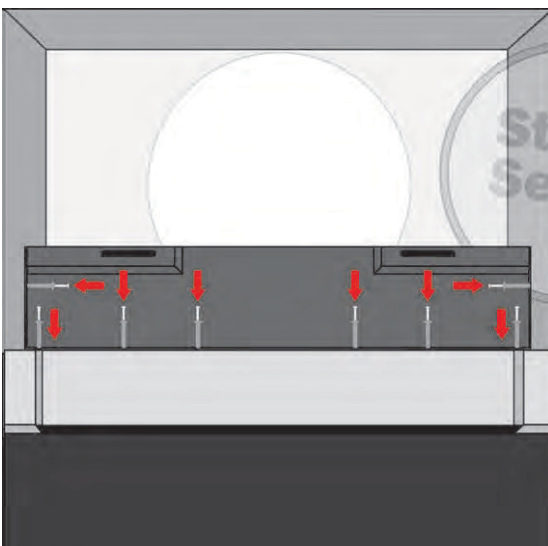
The standard configuration installation procedure for the CIB is as follows:

### 1 Remove the manhole cover



Remove the manhole cover from the catch basin and set aside.

### 2 Install weir to basin wall below throat opening



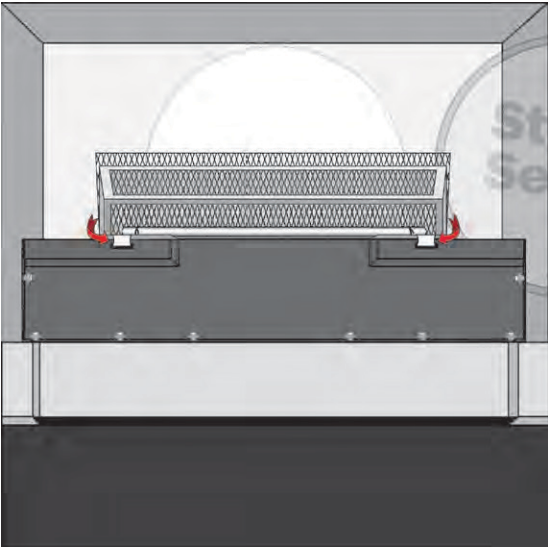
Attach weir to the catch basin wall using the top of the weir mounting flange and fasteners provided. Weir should be mounted just below the curb inlet throat opening. (Install weir extension, if necessary, by securing to the weir and basin wall using included fasteners.)



# INSTALLATION PROCEDURE

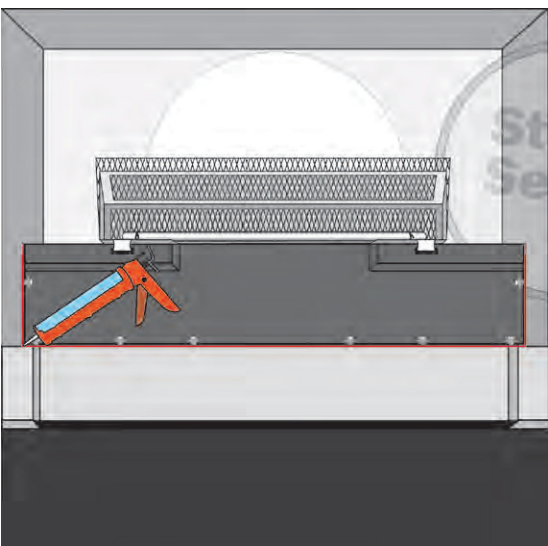
## CIB Installation Protocol (Standard Configuration) Continued

### 3 Install CIB onto weir



Install Curb Inlet basket onto weir at designated mounting points.

### 4 Caulk the weir



Caulk the weir - basin wall contact area for water tight seal.



# INSTALLATION PROCEDURE

## CIB Installation Protocol (Standard Configuration) Continued

---

### 5 Replace the manhole cover



Replace manhole cover into the frame landing.



# REQUIREMENTS & PARTS

---

## Minimum Equipment Requirements

Installation crews are recommended to check all local, state and federal guidelines for installation prior to delivery. The Installation Contractor must provide all necessary equipment and follow appropriate safety measures for all install personnel.

---

## Structural Components

The structural components of the GISB, CIB and HCCIB are designed to have a life span of several decades. Structural inspections of the aforementioned devices and all parts contained within are to be conducted at the time of delivery by the site Engineer and Installation Contractor.

---

## Replacement Parts

All device components are designed and sized to be assembled and removed from the GISB, CIB and HCCIB for installations, servicing or for parts replacement.

For any replacement parts or further instructions please contact Oldcastle Infrastructure

**Oldcastle Infrastructure**  
**798 Clearlake Road, Suite 2**  
**Cocoa, Florida 32922**

**Phone:** 321.637.7552  
**Fax:** 321.637.7554  
**Web:** [www.oldcastleinfrastructure.com](http://www.oldcastleinfrastructure.com)

## Caution!

Any installation work done in traffic areas must meet all DOT Roadway Work Guidelines and safety procedures.

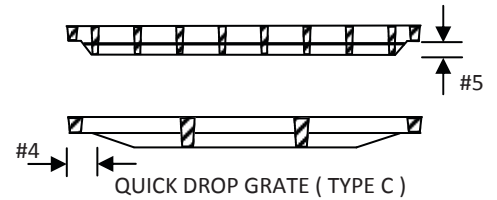
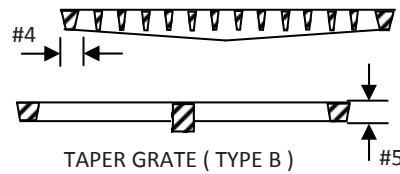
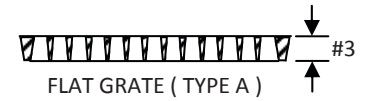
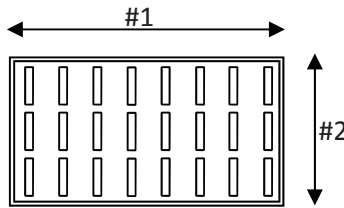
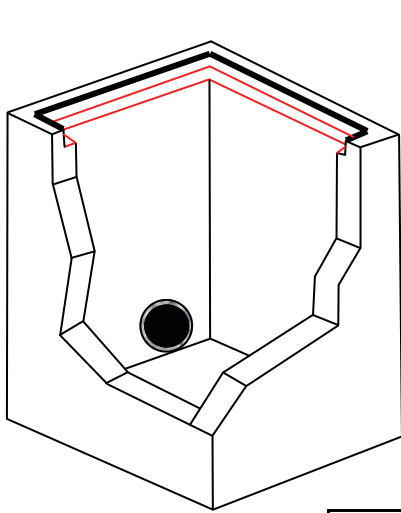
## Warning!

All OSHA confined space requirements must be met for internal installations within the catch basin.

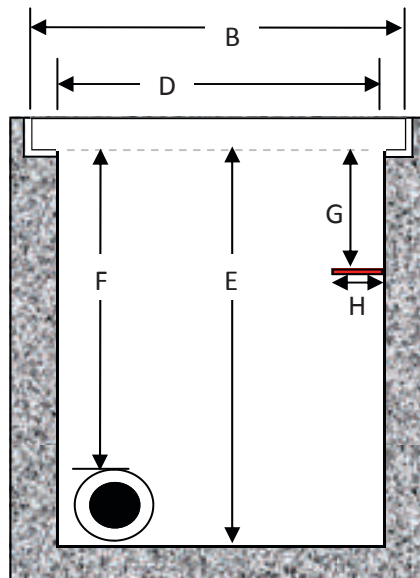
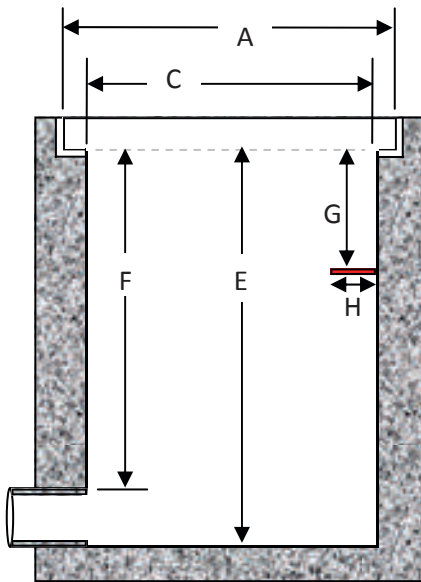
Oldcastle Infrastructure 798 Clearlake Road, Suite 2 Cocoa, FL 32922

PH: 321-637-7552 Fax: 321-637-7554 oldcastleinfrastructure.com

Company:			
Contact:			
Phone:	Fax:	Email:	
Job Name:			
Location:			



GRATE INFORMATION					
GRATE STYLE ( A ) ( B ) ( C )	GRATE WIDTH ( 1 )	GRATE LENGTH ( 2 )	GRATE THICKNESS ( 3 )	DISTANCE TO TAPER ( 4 )	THICKNESS OF DROP/ TAPER ( 5 )



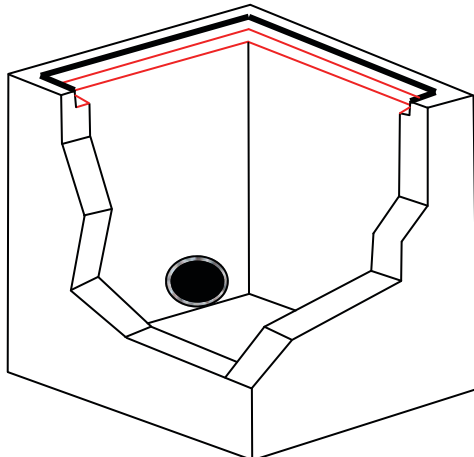
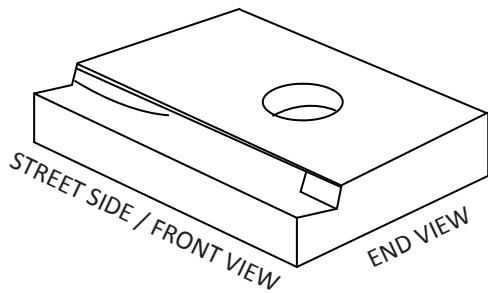
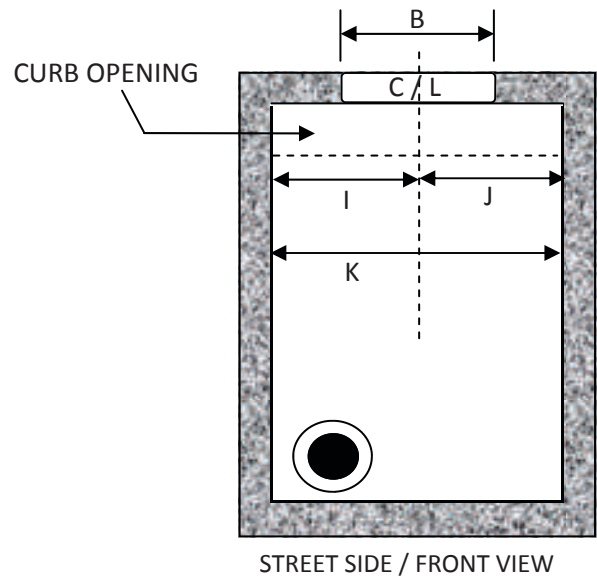
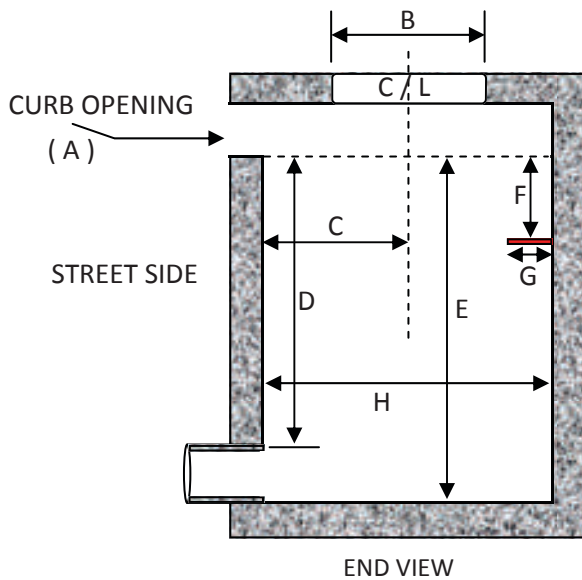
CATCH BASIN INFORMATION	
INSIDE EDGE OF GRATE FRAME ( A )	
INSIDE EDGE OF GRATE FRAME ( B )	
CLEAR OPENING ( C )	
CLEAR OPENING ( D )	
OVERALL DEPTH ( E )	
DEPTH TO TOP OF PIPE ( F )	
DEPTH TO PROTRUSION ( G )	
LENGTH OF PROTRUSION ( H )	



Oldcastle Infrastructure 798 Clearlake Road, Suite 2 Cocoa, FL 32922

PH: 321-637-7552 Fax: 321-637-7554 oldcastleinfrastructure.com

Company:			
Contact:			
Phone:	Fax:	Email:	
Job Name:			
Location:			



CATCH BASIN INFORMATION	
CURB OPENING HEIGHT ( A )	
CLEAR ACCESS THRU MANHOLE ( B )	
DEPTH TO CENTER OF MANHOLE FROM STREET( C )	
DEPTH TO TOP OF PIPE ( D )	
OVERALL DEPTH OF BASIN ( E )	
DEPTH TO PROTRUSION ( F )	
LENGTH OF PROTRUSION ( G )	
OVERALL LENGTH ( H )	
MEASUREMENT FROM LEFT SIDE TO CENTER ( I )	
MEASUREMENT FROM RIGHT SIDE TO CENTER ( J )	
OVERALL WIDTH ( K )	



# WARRANTY

---

## **Minimum Equipment Requirements**

Oldcastle Infrastructure products are engineered and manufactured with the intent of being a permanent part of the infrastructure. Oldcastle Infrastructure warrants its products to be free from manufacturing defects for a period of five (5) years from the date of purchase.

In the event a warranty claim is made and determined to be valid, Oldcastle Infrastructure will replace or repair the product at their own discretion. Warranty claims must be submitted, evaluated and approved by Oldcastle Infrastructure for the claim to be determined valid. All warranty work must be authorized by Oldcastle prior to work being performed. There are no warranties expressed or implied other than what is specified herein. Abusive treatment, neglect or improper use of the Grate Inlet Skimmer Box, Curb Inlet Basket or High Capacity Curb Inlet Basket will not be covered by this warranty.



# CONTACT INFORMATION

---

## General Inquires

For additional information concerning installation, general usage, maintenance products, warranties or replacement parts please contact:

**Oldcastle Infrastructure**  
**798 Clearlake Road, Suite 2**  
**Cocoa, Florida 32922**

**Phone:** 321.637.7552

**Fax:** 321.637.7554

**Web:** [www.oldcastleinfrastructure.com](http://www.oldcastleinfrastructure.com)

Visit our website for in depth information on all of our products!