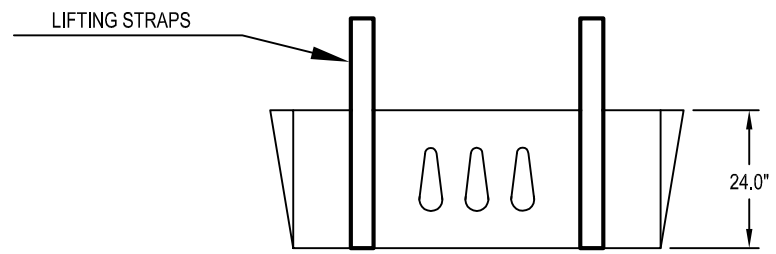


ELEVATION VIEW

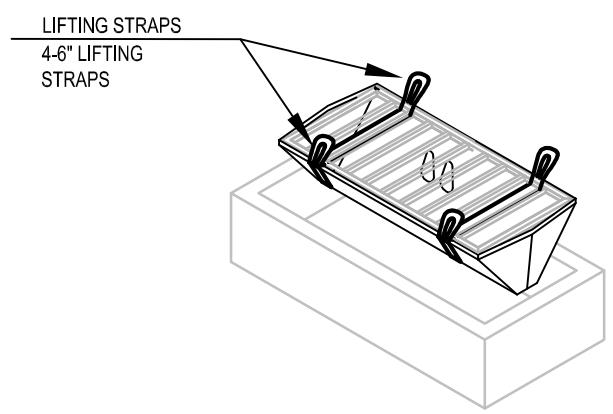


SIDE VIEW

FILTER OPTIONS
 SEDIMENT BAG
 TRASH BAG (CITY BAG)

FILTER INSTALLATION
 PLACE GRATE INTO TOP OF SEDIMENT BAG ONTO HORIZONTAL GRATE SUPPORT STRAPS. LIFT GRATE AND BAG BY LIFTING STRAPS PROVIDED. TO EMPTY, LIFT GRATE AND SEDIMENT BAG BY LIFTING STRAPS CONNECTED TO THE LOAD SUPPORTING HARNESS.

MAINTENANCE
 ALL TEMPORARY EROSION, SEDIMENTATION, & POLLUTION CONTROL PRACTICES SHOULD BE INSPECTED DAILY. CONTRACTOR SHALL REMOVE SEDIMENT AND DISPOSE OF IN A PROPER MANNER. INSPECT FRAME AND FILTER DAILY.



ISOMETRIC VIEW

GRATE INLET PROTECTION

SEDIMENT COLLECTION BAG
 VARIOUS SIZES

GRATE INLET PROTECTION
FILTER FABRIC MATERIAL: REFER TO SPEC
SCALE: NOT TO SCALE
LAST UPDATED: MAY 2019