



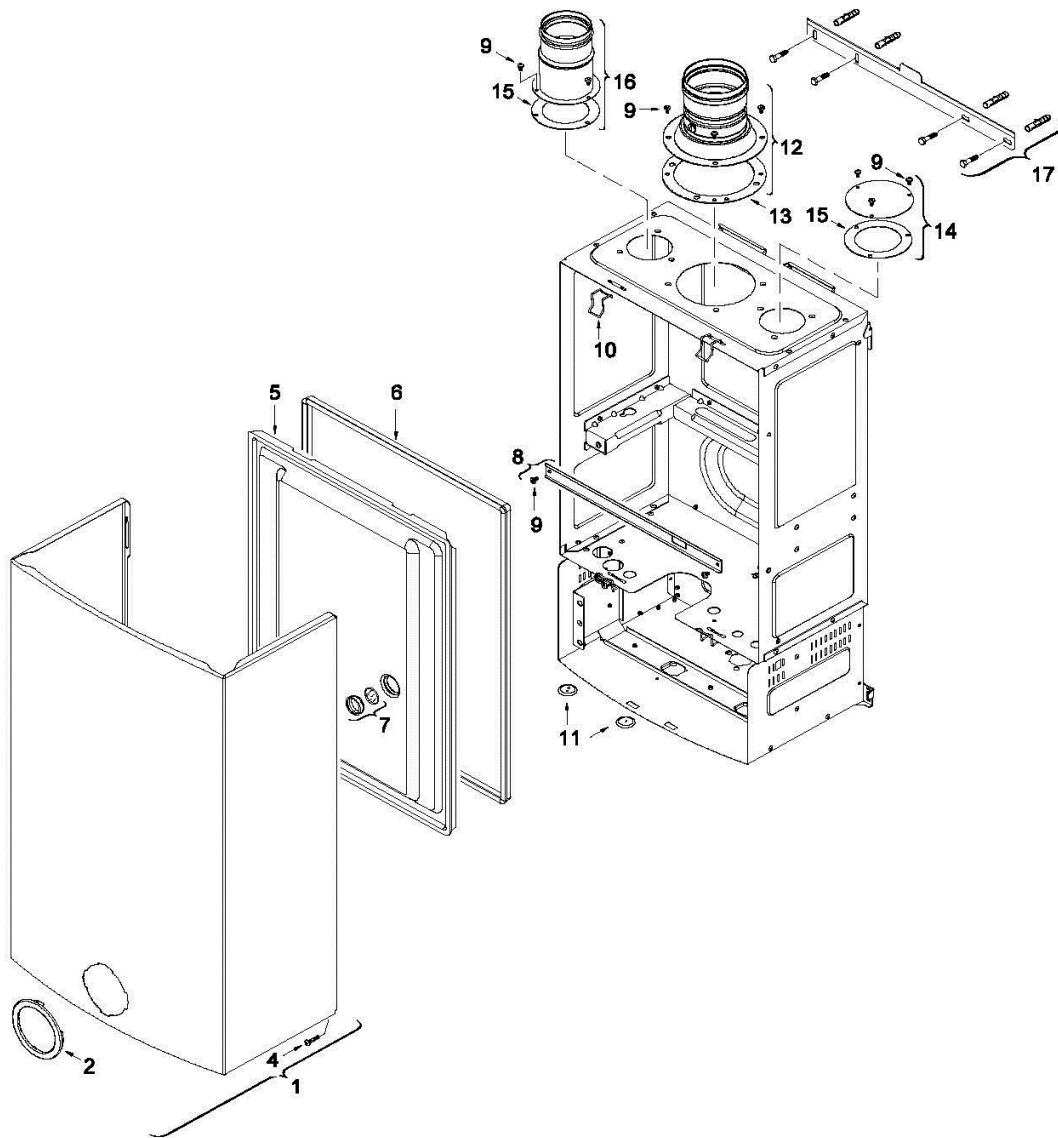
RESIDENTIAL GAS REPLACEMENT PARTS LIST RTG199HE (N,X) Models



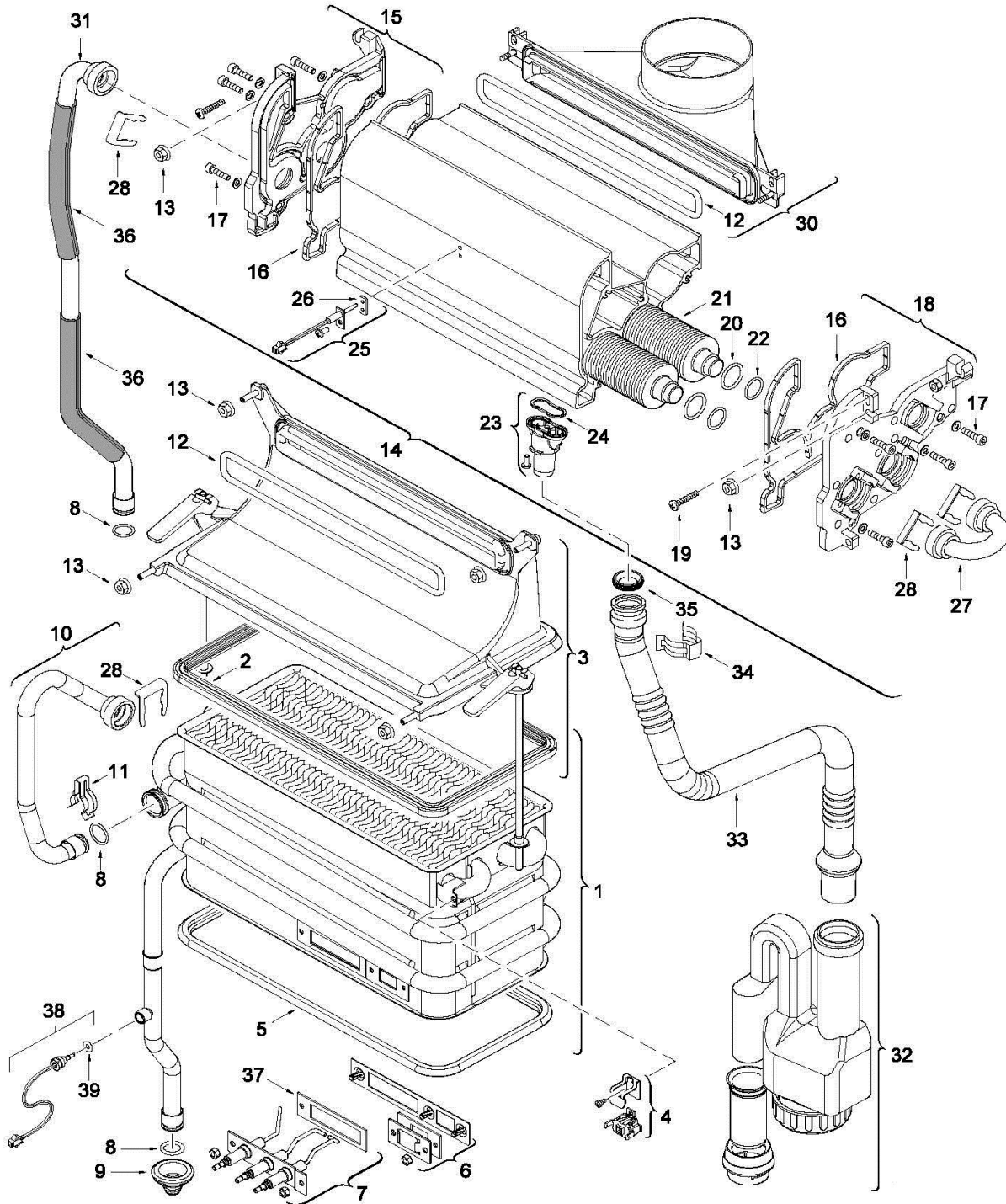
***Effective: July, 2014
ECO 7925***

**NOTE: BOTH MODEL AND SERIAL
NUMBERS ARE REQUIRED FOR
ORDERING REPLACEMENT PARTS**

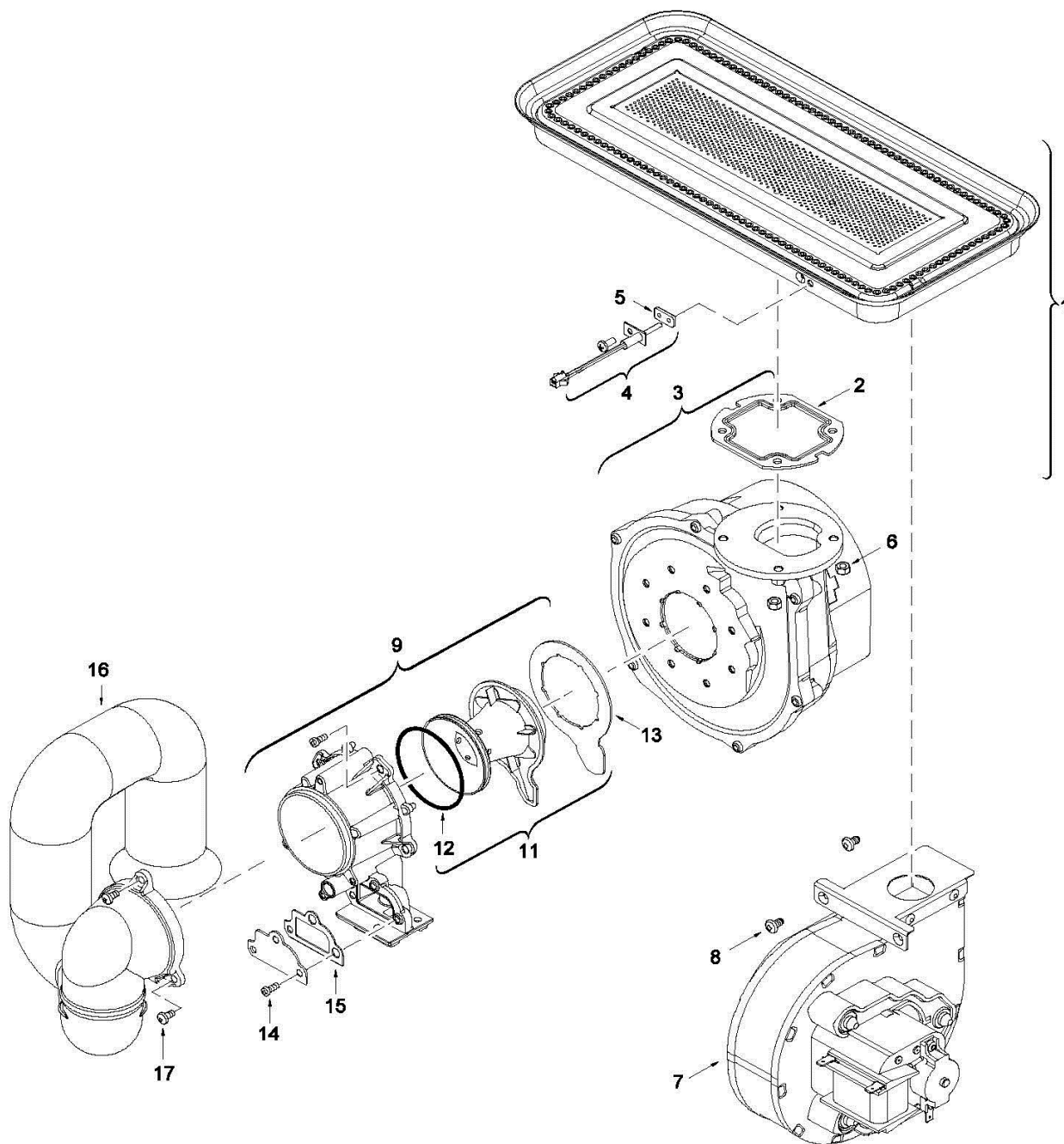
Dimensions and specifications
subject to change without notice.



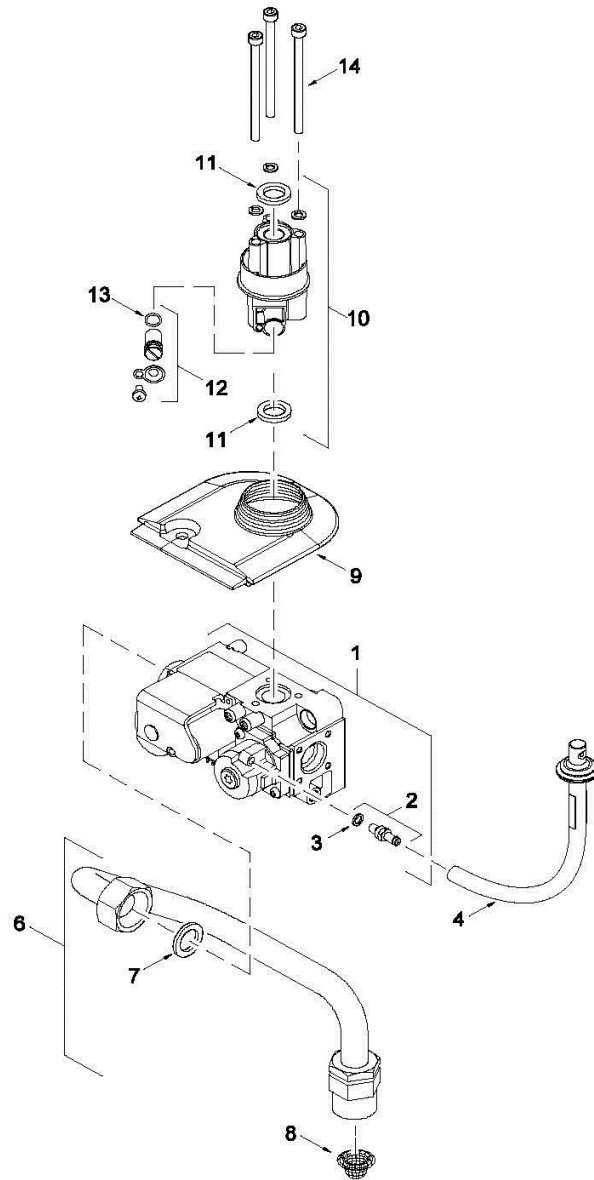
| Item | Description | Model | |
|------|-----------------------|-----------------|-----------------|
| | | RTG199HEN | RTG199HEX |
| 1 | Front cover | 8 738 709 019 | 8 738 709 019 |
| 2 | Shield | 8 738 709 020 | 8 738 709 020 |
| 4 | Screw | 8 703 401 170 0 | 8 703 401 170 0 |
| 5 | Combustion cover | 8 700 506 300 0 | 8 700 506 300 0 |
| 6 | Gasket | 8 704 701 084 0 | 8 704 701 084 0 |
| 7 | Observation window | 8 705 600 003 0 | 8 705 600 003 0 |
| 8 | Holding bracket | 8 708 104 103 0 | 8 708 104 103 0 |
| 9 | Screw M4, 8x9,5 (10x) | 8 703 403 012 0 | 8 703 403 012 0 |
| 10 | Clip | 8 701 201 032 0 | 8 701 201 032 0 |
| 11 | Grommet set | 8 710 203 039 0 | 8 710 203 039 0 |
| 12 | Exhaust accessory | 8 705 504 152 0 | 8 705 504 152 0 |
| 13 | Washer | 8 700 103 710 0 | 8 700 103 710 0 |
| 14 | Inlet air cover | 8 708 006 022 0 | 8 708 006 022 0 |
| 15 | Gasket (10x) | 8 700 103 166 0 | 8 700 103 166 0 |
| 16 | Inlet air accessory | 8 705 504 154 0 | 8 705 504 154 0 |
| 17 | Mounting bracket | 8 701 309 164 0 | 8 701 309 164 0 |



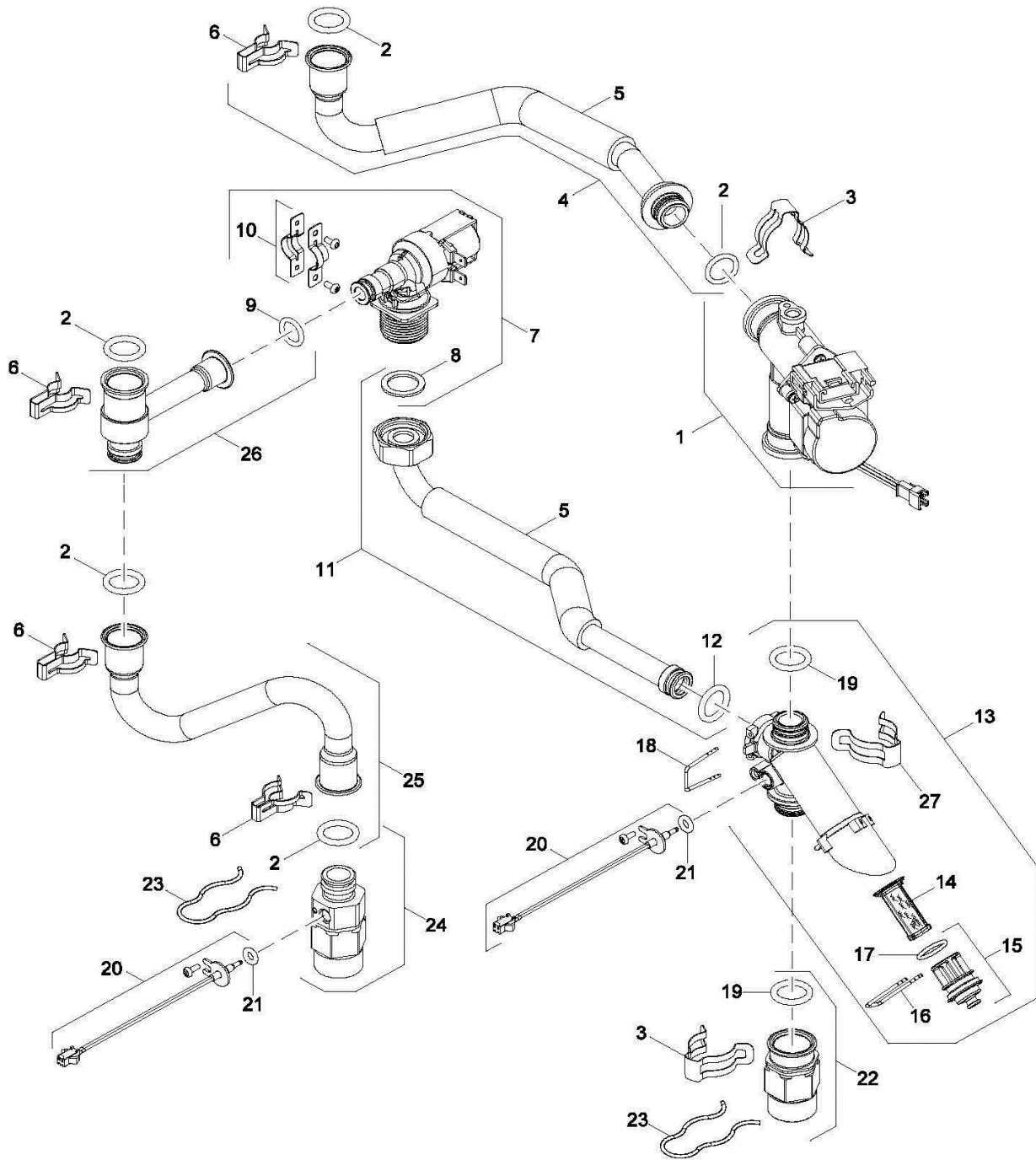
| Item | Description | Model | |
|------|---------------------------------|-----------------|-----------------|
| | | RTG199HEN | RTG199HEX |
| 1 | Heat exchanger | 8 738 704 117 0 | 8 738 704 026 0 |
| 2 | Washer | 8 704 701 052 0 | 8 704 701 052 0 |
| 3 | Condensing exchanger inlet | 8 705 700 159 0 | 8 705 700 159 0 |
| 4 | Overheat sensor (ECO) | 8 707 206 204 0 | 8 707 206 204 0 |
| 5 | Washer | 8 704 701 054 0 | 8 704 701 054 0 |
| 6 | Site window | 8 701 000 401 0 | 8 701 000 401 0 |
| 7 | Ignition group | 8 701 302 249 0 | 8 701 302 249 0 |
| 8 | O-ring (10x) | 8 700 205 147 0 | 8 700 205 147 0 |
| 9 | Rubber seal | 8 710 303 027 0 | 8 710 303 027 0 |
| 10 | Pipe for connection | 8 700 715 493 0 | 8 700 715 493 0 |
| 11 | Clip (10x) | 8 701 201 028 0 | 8 701 201 028 0 |
| 12 | Washer | 8 704 701 090 0 | 8 704 701 090 0 |
| 13 | Union nut | 8 703 301 157 0 | 8 703 301 157 0 |
| 14 | Condensing heat exchanger | 8 705 700 161 0 | 8 705 700 161 0 |
| 15 | Condensing exchanger left side | 8 705 700 162 0 | 8 705 700 162 0 |
| 16 | Washer | 8 704 701 091 0 | 8 704 701 091 0 |
| 17 | Screw (10x) | 2 918 060 162 0 | 2 918 060 162 0 |
| 18 | Condensing exchanger right side | 8 705 700 163 0 | 8 705 700 163 0 |
| 19 | Screw (10x) | 2 910 611 496 0 | 2 910 611 496 0 |
| 20 | O-ring (10x) | 8 700 205 226 0 | 8 700 205 226 0 |
| 21 | Condensing fincoil | 8 700 715 402 0 | 8 700 715 402 0 |
| 22 | O-ring (10x) | 8 700 205 228 0 | 8 700 205 228 0 |
| 23 | Condensate drain connector | 8 705 506 838 0 | 8 705 506 838 0 |
| 24 | Washer (10x) | 8 704 701 092 0 | 8 704 701 092 0 |
| 25 | Exhaust temperature sensor | 8 707 206 459 0 | 8 707 206 459 0 |
| 26 | Washer | 8 704 701 097 0 | 8 704 701 097 0 |
| 27 | U-bend pipe | 8 703 305 352 0 | 8 703 305 352 0 |
| 28 | Clip (10x) | 8 701 300 023 0 | 8 701 300 023 0 |
| 30 | Flue gas collector | 8 705 506 841 0 | 8 705 506 841 0 |
| 31 | Connecting pipe | 8 700 715 398 0 | 8 700 715 398 0 |
| 32 | Siphon | 8 705 202 141 0 | 8 705 202 141 0 |
| 33 | Condensate drain pipe | 8 700 703 177 0 | 8 700 703 177 0 |
| 34 | Clip for watervalue W2 | 8 716 102 607 0 | 8 716 102 607 0 |
| 35 | Gasket | 8 704 701 094 0 | 8 704 701 094 0 |
| 36 | Insulation (145x60) | 8 702 303 027 0 | 8 702 303 027 0 |
| 37 | Washer (10x) | 8 704 701 088 0 | 8 704 701 088 0 |
| 38 | Temperature sensor' | 8 700 400 040 0 | 8 700 400 040 0 |
| 39 | O-ring (10x) | 8 700 205 310 0 | 8 700 205 310 0 |
| | Set of seals | 8 704 701 116 0 | 8 704 701 116 0 |



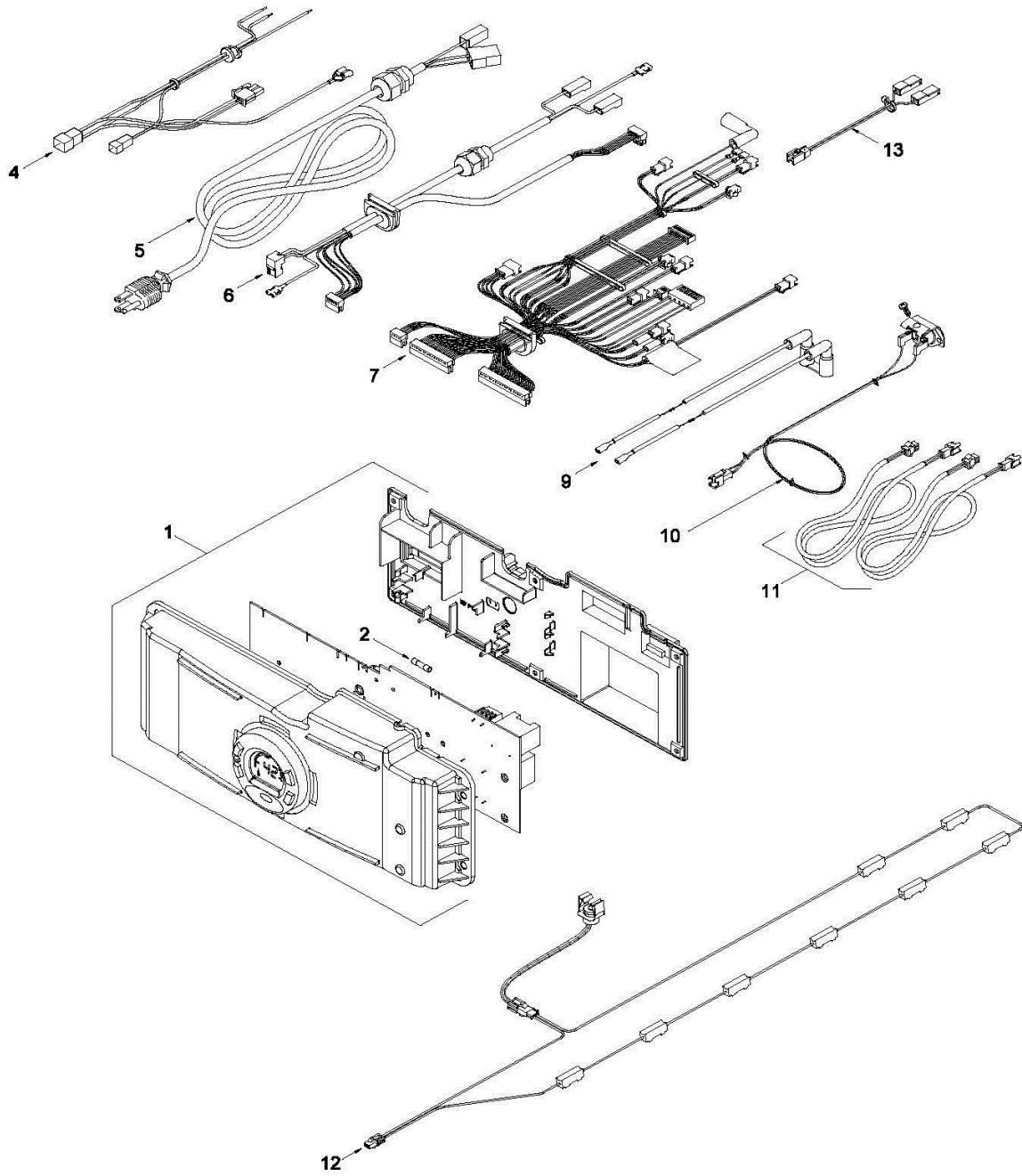
| Item | Description | Model | |
|------|------------------------------|-----------------|-----------------|
| | | RTG199HEN | RTG199HEX |
| 1 | Burner | 8 708 120 642 0 | 8 708 120 699 0 |
| 2 | Gasket | 8 704 701 087 0 | 8 704 701 087 0 |
| 3 | Fan | 8 738 709 000 | 8 738 709 000 |
| 4 | Exhaust temperature sensor | 8 707 206 459 0 | 8 707 206 459 0 |
| 5 | Washer | 8 704 701 097 0 | 8 704 701 097 0 |
| 6 | Nut M5 | 2 915 011 006 0 | 2 915 011 006 0 |
| 7 | Fan | 8 707 204 072 0 | 8 707 204 074 0 |
| 8 | Screw M4, 8x9, 5 (10x) | 8 703 403 012 0 | 8 703 403 012 0 |
| 9 | Gas / Air Mixer | 8 705 700 170 0 | 8 705 700 170 0 |
| 10 | O-ring (10x) | 8 700 205 149 0 | 8 700 205 149 0 |
| 11 | Venturi | 8 700 306 226 0 | 8 700 306 226 0 |
| 12 | O-ring (10x) | 8 700 205 224 0 | 8 700 205 224 0 |
| 13 | Washer | 8 704 701 059 0 | 8 704 701 059 0 |
| 14 | Screw | 2 910 642 150 0 | 2 910 642 150 0 |
| 15 | Washer | 8 701 004 049 0 | 8 701 004 049 0 |
| 16 | Air supply duct | 8 705 700 155 0 | 8 705 700 155 0 |
| 17 | Screw M4 x 12 phillips (10x) | 2 910 952 122 0 | 2 910 952 122 0 |



| Item | Description | Model | |
|------|---------------------------------------|-----------------|-----------------|
| | | RTG199HEN | RTG199HEX |
| 1 | Gas valve | 8 738 708 999 | 8 738 708 999 |
| 2 | Pressure tapping | 8 703 404 219 0 | 8 703 404 219 0 |
| 3 | Washer (10x) | 8 700 203 041 0 | 8 700 203 041 0 |
| 4 | Pressure balance tube | 8 718 221 063 0 | 8 718 221 063 0 |
| 6 | Gas supply pipe | 8 700 715 389 0 | 8 700 715 389 0 |
| 7 | Washer-fibre 24OD X 16ID X 2 MM (10x) | 8 700 103 014 0 | 8 700 103 014 0 |
| 8 | Gas filter | 8 700 507 002 0 | 8 700 507 002 0 |
| 9 | Gasket | 8 704 701 085 0 | 8 704 701 085 0 |
| 10 | Connector | 8 705 202 140 0 | 8 705 202 140 0 |
| 11 | Washer (10x) | 8 704 701 062 0 | 8 704 701 062 0 |
| 12 | Screw for settings | 8 703 404 220 0 | 8 703 404 220 0 |
| 13 | O-ring (10x) | 8 700 205 009 0 | 8 700 205 009 0 |
| 14 | Screw (10x) | 2 910 149 181 0 | 2 910 149 181 0 |



| Item | Description | Model | |
|------|---------------------------------------|-----------------|-----------------|
| | | RTG199HEN | RTG199HEX |
| 1 | Water valve with engine | 8 708 505 023 0 | 8 708 505 023 0 |
| 2 | O-ring (10x) | 8 700 205 147 0 | 8 700 205 147 0 |
| 3 | Clip for watervalue W2 | 8 716 102 607 0 | 8 716 102 607 0 |
| 4 | Pipe | 8 738 703 468 0 | 8 738 703 468 0 |
| 5 | Insulation (145x60) | 8 702 303 027 0 | 8 702 303 027 0 |
| 6 | Clip (10x) | 8 701 201 028 0 | 8 701 201 028 0 |
| 7 | Valve bypass | 8 738 702 561 0 | 8 738 702 561 0 |
| 8 | Sealing washer 2.9 X 17.2 X 1.5 (10x) | 8 710 103 043 0 | 8 710 103 043 0 |
| 9 | O-ring 10, 78x62 L (10x) | 8 716 103 067 0 | 8 716 103 067 0 |
| 10 | Clip | 8 738 704 703 0 | 8 738 704 703 0 |
| 11 | Pipe | 8 738 703 467 0 | 8 738 703 467 0 |
| 12 | O-ring (10x) | 8 700 205 129 0 | 8 700 205 129 0 |
| 13 | Connection piece | 8 738 704 163 0 | 8 738 704 163 0 |
| 14 | Strainer | 8 700 507 081 0 | 8 700 507 081 0 |
| 15 | Cover | 8 738 702 550 0 | 8 738 702 550 0 |
| 16 | Wire form spring (10x) | 8 704 705 029 0 | 8 704 705 029 0 |
| 17 | O-ring (10x) | 8 700 205 312 0 | 8 700 205 312 0 |
| 18 | Retaining clip (10x) | 8 704 705 055 0 | 8 704 705 055 0 |
| 19 | O-ring (10x) | 8 700 205 157 0 | 8 700 205 157 0 |
| 20 | Temperature sensor | 8 700 400 033 0 | 8 700 400 033 0 |
| 21 | O-ring (10x) | 8 700 205 310 0 | 8 700 205 310 0 |
| 22 | Connection bush | 8 738 702 558 0 | 8 738 702 558 0 |
| 23 | Clip (10x) | 8 701 300 025 0 | 8 701 300 025 0 |
| 24 | Connection bush | 8 738 702 548 0 | 8 738 702 548 0 |
| 25 | Pipe | 8 738 702 559 0 | 8 738 702 559 0 |
| 26 | T-piece | 8 738 702 557 0 | 8 738 702 557 0 |
| 27 | Clip (10x) | 8 738 704 185 0 | 8 738 704 185 0 |



| Item | Description | Model | |
|------|----------------------------|-----------------|-----------------|
| | | RTG199HEN | RTG199HEX |
| 1 | Control box | 8 738 708 997 | 8 738 708 997 |
| 2 | Fusing element T2,5A (10x) | 1 904 521 342 0 | 1 904 521 342 0 |
| 4 | Power supply cables | 8 704 401 371 0 | 8 704 401 371 0 |
| 5 | Power supply cord | 8 704 401 378 0 | 8 704 401 378 0 |
| 6 | Fan cable | 8 738 704 460 0 | 8 738 704 460 0 |
| 7 | Cable harness | 8 738 702 804 0 | 8 738 702 804 0 |
| 9 | Electrode cables | 8 704 401 346 0 | 8 704 401 346 0 |
| 10 | Temperature sensor | 8 700 400 032 0 | 8 700 400 032 0 |
| 11 | Kit Intelligent cascading | 7 709 003 962 | 7 709 003 962 |
| 12 | Anti-freeze accessory | 7 709 003 665 | 7 709 003 665 |
| 13 | Cable | 8 738 702 551 0 | 8 738 702 551 0 |



BRADFORD WHITE®

W A T E R H E A T E R S

Ambler, PA

For U.S. and Canada field service,
contact your professional installer or
local Bradford White sales representative.

Sales/800-523-2931
Fax/215-641-1670
Parts Fax/215-641-2180

Technical Support/800-334-3393
Fax/269-795-1089

Warranty/800-531-2111
Fax/269-795-1089

International:
Telephone/215-641-9400
Telefax/215-641-9750



BRADFORD WHITE-CANADA® INC.

Mississauga, ON

Sales/866-690-0961
905-238-0100

Fax/905-238-0105

Technical Support/800-334-3393

Email

parts@bradfordwhite.com
techserv@bradfordwhite.com

www.bradfordwhite.com