

Frost-Proof Sillcocks

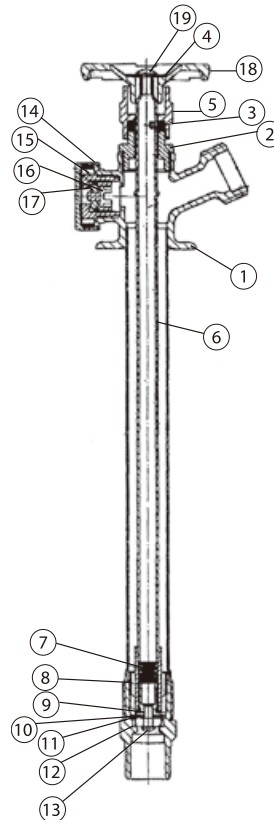
Product Features

- Provides hose connection outside of building
- Automatic draining when turned off and hose is removed so no water filled area is exposed to outdoor elements
- Wall hydrant with backflow preventer to avoid contamination of building or public water system should a pressure drop occur (anti-siphon models only)
- Maximum operating pressure: 125 PSI (water)
- Operating temperature range: 32° to 140°F
- Certifications: PF73D: CSA; PF73AS: CSA, UPC, ASSE-1019-A; PF73ASPP: CSA, UPC
- Accessories:
 - PF73ASRK2 – repair kit to include handle, anti-siphon and plunger assembly
 - PF73ASHDL – beige replacement handle
 - PF73RK2 – the handle, seal and washer repair kits for non-anti-siphon PF73

NOTE: Date codes for identification purposes are listed on the handle in alphanumerical order. Please be advised this is NOT a model number.

Product Specifications

Item No.	Description	Material	Special Notes
1	Body assembly	Brass	
2	Stem holder	Brass	
3	Packing	Rubber	
4	Name plate	Aluminum	
5	Nut	Brass	
6	Stem holder	Brass	
7	Spring	Stainless steel	
8	Plug axis	Brass	
9	O-ring	NBR	
10	Packing	Rubber	
11	Stem washer	Brass	
12	Seal	Rubber	
13	Screw	Brass	
14	Nut	Plastic	Anti-siphon models only
15	Screw	POM	Anti-siphon models only
16	Stem	POM	Anti-siphon models only
17	Seat	Brass	Anti-siphon models only
18	Handle	Zinc	
19	Set screw	Brass	



PF73DP



PF73ASDCG



PF73ASPXP

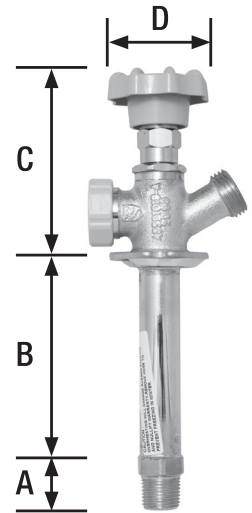


PF73ASPPP

Frost-Proof Sillcocks

Model Numbers

Model No.	Description	A	B	C	D	Stem Length	End Connection
PF73DP	*NP 1/2X4 BRZ F/PROOF SILL	1-1/4	4	3-5/8	2-3/4	7	1/2 MPT x SWT
PF73DU	*NP 1/2X6 BRZ F/PROOF SILL	1-1/4	6	3-5/8	2-3/4	9	1/2 MPT x SWT
PF73DX	*NP 1/2X8 BRZ F/PROOF SILL	1-1/4	8	3-5/8	2-3/4	11	1/2 MPT x SWT
PF73D10	*NP 1/2X10 BRZ F/PROOF SILL	1-1/4	10	3-5/8	2-3/4	13	1/2 MPT x SWT
PF73D12	*NP 1/2X12 BRZ F/PROOF SILL	1-1/4	12	3-5/8	2-3/4	15	1/2 MPT x SWT
PF73D14	*NP 1/2X14 BRZ F/PROOF SILL	1-1/4	14	3-5/8	2-3/4	17	1/2 MPT x SWT
PF73ASDCC	*NP 1/2CC BRZ A/SIPHON SILL	1-1/4	1-5/8	3-7/8	3-3/8	5-1/2	1/2 MPT x SWT
PF73ASDP	*NP 1/2X4 BRZ A/SIPHON SILL	1-1/4	4	3-7/8	3-3/8	7-15/16	1/2 MPT x SWT
PF73ASDU	*NP 1/2X6 BRZ A/SIPHON SILL	1-1/4	6	3-7/8	3-3/8	9-15/16	1/2 MPT x SWT
PF73ASDX	*NP 1/2X8 BRZ A/SIPHON SILL	1-1/4	8	3-7/8	3-3/8	11-15/16	1/2 MPT x SWT
PF73ASD10	*NP 1/2X10 BRZ A/SIPHON SILL	1-1/4	10	3-7/8	3-3/8	13-15/16	1/2 MPT x SWT
PF73ASD12	*NP 1/2X12 BRZ A/SIPHON SILL	1-1/4	12	3-7/8	3-3/8	15-15/16	1/2 MPT x SWT
PF73ASD14	*NP 1/2X14 BRZ A/SIPHON SILL	1-1/4	14	3-7/8	3-3/8	17-15/16	1/2 MPT x SWT
PF73ASFP	*NP 3/4X1/2 X 4 BRS A/SIPHON SILL	1-1/4	4	3-7/8	3-3/8	7-15/16	3/4 MPT X 1/2 FPT
PF73ASFU	*NP 3/4X1/2 X 6 BRS A/SIPHON SILL	1-1/4	6	3-7/8	3-3/8	9-15/16	3/4 MPT X 1/2 FPT
PF73ASFX	*NP 3/4X1/2 X 8 BRS A/SIPHON SILL	1-1/4	8	3-7/8	3-3/8	11-15/16	3/4 MPT X 1/2 FPT
PF73ASF10	*NP 3/4X1/2 X 10 BRS A/SIPHON SILL	1-1/4	10	3-7/8	3-3/8	13-15/16	3/4 MPT X 1/2 FPT
PF73ASF12	*NP 3/4X1/2 X 12 BRS A/SIPHON SILL	1-1/4	12	3-7/8	3-3/8	15-15/16	3/4 MPT X 1/2 FPT
PF73ASPXP	*NP 1/2X4 F/PROOF SILL W/ INL PEX	1-1/4	4	3-7/8	3-3/8	7-15/16	1/2 F1807
PF73ASPXU	*NP 1/2X6 F/PROOF SILL W/ INL PEX	1-1/4	6	3-7/8	3-3/8	9-15/16	1/2 F1807
PF73ASPXX	*NP 1/2X8 F/PROOF SILL W/ INL PEX	1-1/4	8	3-7/8	3-3/8	11-15/16	1/2 F1807
PF73ASPX10	*NP 1/2X10 F/PROOF SILL W/ INL PEX	1-1/4	8	3-7/8	3-3/8	13-15/16	1/2 F1807
PF73ASPX12	*NP 1/2X12 F/PROOF SILL W/ INL PEX	1-1/4	8	3-7/8	3-3/8	15-15/16	1/2 F1807
PF73ASPPP	*NP 1/2X4 BRZ A/SIPHON SILL F1960	1-1/4	4	3-7/8	3-3/8	7-15/16	1/2 F1960
PF73ASPPU	*NP 1/2X6 BRZ A/SIPHON SILL F1960	1-1/4	6	3-7/8	3-3/8	9-15/16	1/2 F1960
PF73ASPPX	*NP 1/2X8 BRZ A/SIPHON SILL F1960	1-1/4	8	3-7/8	3-3/8	11-15/16	1/2 F1960
PF73ASPP10	*NP 1/2X10 BRZ A/SIPHON SILL F1960	1-1/4	10	3-7/8	3-3/8	13-15/16	1/2 F1960
PF73ASPP12	*NP 1/2X12 BRZ A/SIPHON SILL F1960	1-1/4	12	3-7/8	3-3/8	15-15/16	1/2 F1960



Frost-Proof Sillcocks

Product Features

- Provides hose connection outside of building
- Automatic draining when turned off and hose is removed so no water filled area is exposed to outdoor elements
- Wall hydrant with backflow preventer to avoid contamination of building or public water system should a pressure drop occur (anti-siphon models only)
- Close coupled design eliminates need for shim and angled closed flange with 5.5mm hole for PF73ASPXCC
- Maximum operating pressure: 125 PSI (water)
- Operating temperature range: 32° to 140°F
- Accessories:
 - PF73ASRK2 – repair kit to include handle, anti-siphon and plunger assembly
 - PF73ASHDL – beige replacement handle
 - PF73RK2 – the handle, seal and washer repair kits for non-anti-siphon PF73

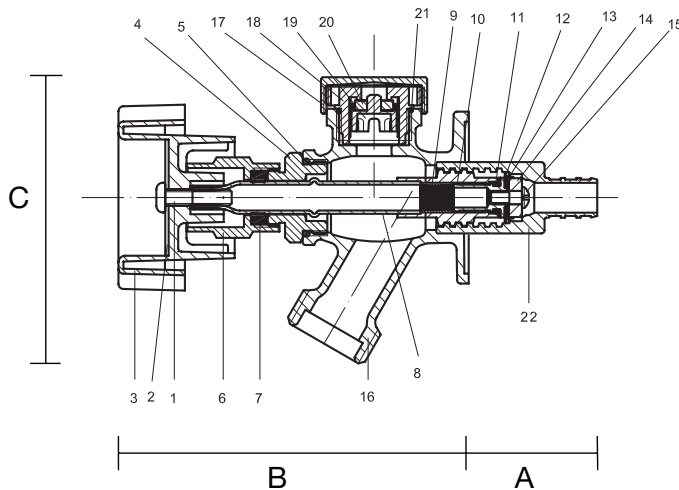


PF73ASPXCC

NOTE: Date codes for identification purposes are listed on the handle in alphanumeric order. Please be advised this is NOT a model number.

Model Number

Model No.	Description	A	B	C	End Connection
PF73ASPXCC	*NP 1/2CC F/PROOF SILL W/ INL PEXL	1.71	3-7/8	3-7/8	1/2 F1807



Product Specifications

Item No.	Description	Material	Qty
1	Screw	Brass	1
2	Name Plate	Aluminum	1
3	Handle	Aluminum	1
4	Nut	Brass	1
5	O-Ring	Rubber	1
6	Nut	Brass	1
7	Washer	Rubber	1
8	Stem	Brass	1
9	Spring	Stainless Steel	1
10	Plug, Axis	Brass	1
11	O-Ring	Rubber	1
12	Packing	Rubber	1
13	Stem Washer	Brass	1
14	Seal	Rubber	1
15	Screw	Brass	1
16	Valve Body	Brass	1
17	VB Cover	ABS	1
18	VB Body	POM	1
19	VB Stem	POM	1
20	Seat	Rubber	1
21	O-Ring	Rubber	1
22	Adapter	Brass	1

Warranty and Codes

These PROFLO products carry a 1-year limited warranty.