



# Inia™ Wading Pool®

Bathroom Sink  
**K-2773-G8**

## Features

- Without overflow.
- 20-5/8" (524 mm) x 14-15/16" (379 mm)

## Material

- Glass
- Drop-in installation.

## Components

Additional included component/s: Drain Gasket Kit 1197255.



ADA

## Codes/Standards

CSA B45.11/IAPMO Z401  
ADA  
ICC/ANSI A117.1


## KOHLER® One-Year Limited Warranty

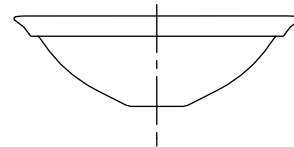
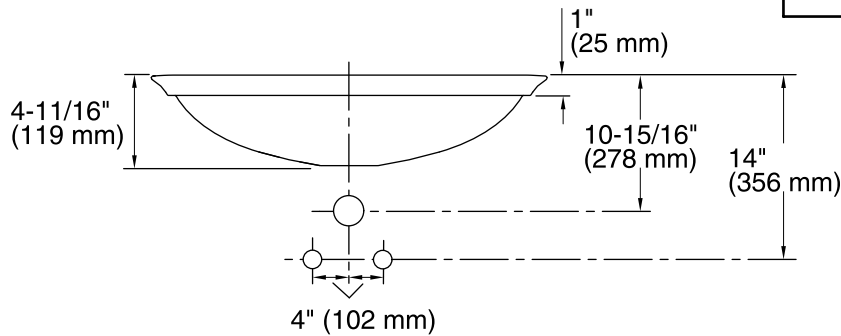
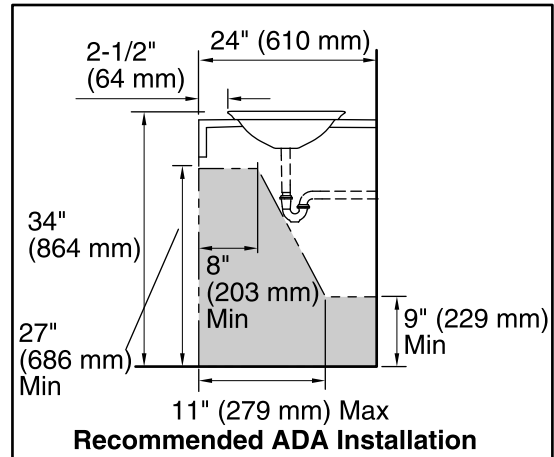
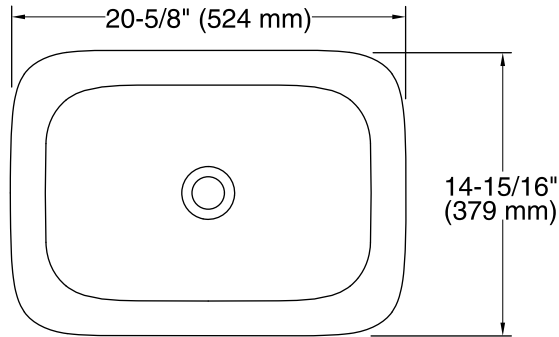
See website for detailed warranty information.

## Available Color/Finishes

*Color tiles intended for reference only.*

| Color | Code | Description |
|-------|------|-------------|
|-------|------|-------------|

|  |     |     |
|--|-----|-----|
|  | B11 | Ice |
|--|-----|-----|



### Technical Information

All product dimensions are nominal.

Installation: Vessel, Drop-in

Template: 1190263-7, not required, included

### Notes

Install this product according to the installation instructions.

Product does not have an overflow.

**NOTICE:** Countertop manufacturer or cutter must use the cut-out template provided with the product, or a current one provided by Kohler Co. (call 1-800-4KOHLER). Kohler Co. is not responsible for cut-out errors when the incorrect cut-out template is used.

Product must be installed with the supplied drain gasket kit.

ADA compliant when installed to the specific requirements of these regulations.