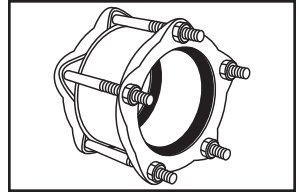
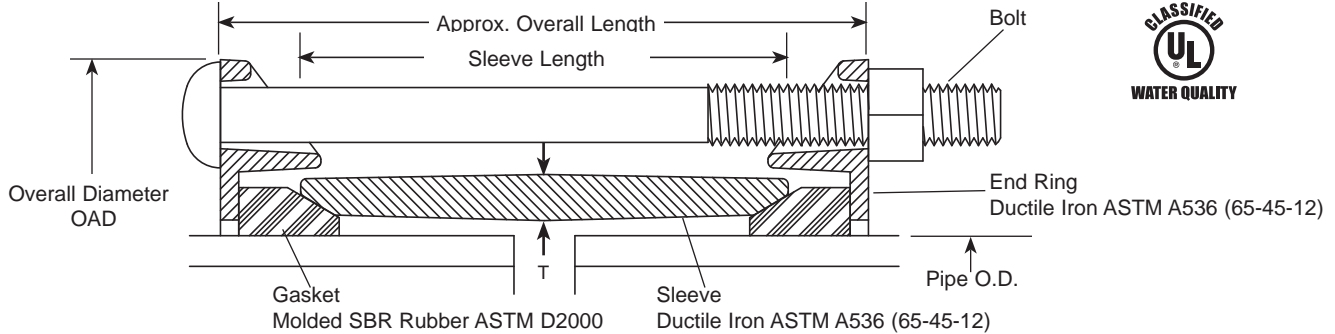


SUBMITTAL INFORMATION

Ductile Iron Couplings - (FC1-xxx-xxx-Z style)



STYLE FC1 COUPLINGS FOR CAST, DUCTILE IRON OR PVC PIPE WITH EPOXY COATING AND 316 STAINLESS HARDWARE



NOM. PIPE SIZE	GASKET RANGE 1ST HALF CAT. #	END RING COLOR	BY	GASKET RANGE 2ND HALF CAT. #	END RING COLOR	CENTER SLEEVE		BOLTS			APPROX. OVERALL LGTH.	OAD	APPROX. WT. LBS.	CATALOG NUMBER	✓ SUBMITTED ITEM(S)
						LGTH.	APPROX. (T) THICKNESS	DIA.	LGTH.	QTY.					
2"	2.34 - 2.63	Red		2.34 - 2.63	Red	4"	5/16"	5/8"	6-1/2"	2	5-1/8"	5-5/8"	6	FC1-263-263-Z	
2-1/2"	See 2" FC2A														
4"	4.00	Red		4.00	Red	5"	3/8"	5/8"	8"	3	6-1/8"	8-5/16"	14	FC1-400-400-Z	
	4.00	Red		4.50 - 4.80	Red									FC1-400-480-Z	
	4.00	Red		4.80 - 5.10	Black									FC1-400-510-Z	
	4.50 - 4.80	Red		4.50 - 4.80	Red									FC1-480-480-Z	
	4.50 - 4.80	Red		4.80 - 5.10	Black									FC1-480-510-Z	
	4.80 - 5.10	Black		4.80 - 5.10	Black									FC1-510-510-Z	
6"	6.00	Red		6.00	Red	5"	3/8"	5/8"	8"	4	6-1/8"	10-1/2"	20	FC1-600-600-Z	
	6.00	Red		6.63 - 6.90	Red									FC1-600-690-Z	
	6.00	Red		6.90 - 7.20	Black									FC1-600-720-Z	
	6.30	Red		6.30	Red									FC1-630-630-Z	
	6.63 - 6.90	Red		6.63 - 6.90	Red									FC1-690-690-Z	
	6.63 - 6.90	Red		6.90 - 7.20	Black									FC1-690-720-Z	
8"	8.00	Red		8.00	Red	5"	3/8"	5/8"	8"	5	6-1/8"	12-13/16"	29	FC1-720-720-Z	
	8.00	Red		8.63 - 9.05	Red									FC1-800-800-Z	
	8.00	Red		9.05 - 9.40	Black									FC1-800-905-Z	
	8.16 - 8.40	Red		8.16 - 8.40	Black									FC1-800-940-Z	
	8.63 - 9.05	Red		8.63 - 9.05	Red									FC1-840-840-Z	
	8.63 - 9.05	Red		9.05 - 9.40	Black									FC1-905-905-Z	
10"	9.05 - 9.40	Black		9.05 - 9.40	Black	6"	7/16"	5/8"	9"	6	7-1/8"	15"	41.5	FC1-905-940-Z	
	10.20 - 10.50	Red		10.20 - 10.50	Red									FC1-940-940-Z	
	10.75	Red		10.75	Red									FC1-1050-1050-Z	
	10.75	Red		11.10 - 11.46	Black									FC1-1075-1075-Z	
12"	11.10 - 11.46	Black		11.10 - 11.46	Black	6"	1/2"	5/8"	9"	7	7-1/8"	17-7/8"	54.5	FC1-1075-1146-Z	
	12.24 - 12.50	Red		12.24 - 12.50	Red									FC1-1146-1146-Z	
	12.75	Red		12.75	Red									FC1-1250-1250-Z	
	12.75	Red		13.20 - 13.56	Black									FC1-1275-1275-Z	
	13.20 - 13.56	Black		13.20 - 13.56	Black									FC1-1275-1356-Z	

FEATURES

- Center Sleeve: Ductile iron per ASTM A536 (65-45-12)
- End Rings: Ductile iron per ASTM A536 (65-45-12)
- Bolts and Nuts: 316 stainless steel per ASTM A193 and A194
- Coating: Fusion-bonded epoxy
- NSF 61 approved
- Complies with AWWA C219
- Gasket: Molded SBR rubber per ASTM D2000, M4AA810

The Ford Meter Box Company considers the information in this submittal form to be correct at the time of publication. Item and option availability, including specifications, are subject to change without notice. Please verify that your product information is current.



The Ford Meter Box Company, Inc.
 P.O. Box 443, Wabash, Indiana U.S.A. 46992-0443
 Phone: 260-563-3171 / Fax: 800-826-3487
 Overseas Fax: 260-563-0167
 www.fordmeterbox.com

01/16/15

Submitted By: