

A) Magnesium Keyhole Paver's Straightedge

Special keyhole design for strength. Sturdy, lightweight highway straightedge and checking tool. Plugged ends eliminate build-up in tool. Comes complete with braces, 10' aluminum button handle (CC291), Knucklehead® II bracket (CC296) and roller bearing collar for easy tool adjustment.

No.	Size
CC721**	10'
CC722**	12'
CC723**	16'
CC724**	20'

Add "01" after part no. for screed without bracket, braces, bearing collar, or handle

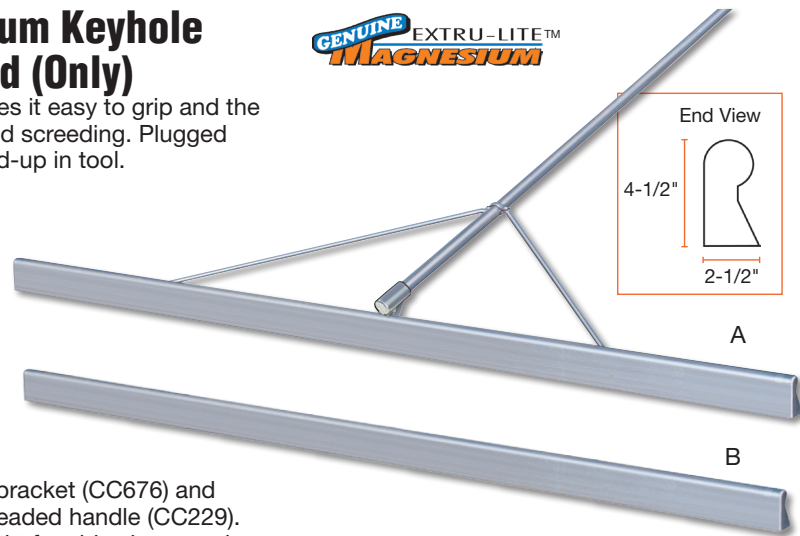
B) Magnesium Keyhole Hand Screed (Only)

Unique shape makes it easy to grip and the perfect tool for hand screeding. Plugged ends eliminate build-up in tool.

No.	Size
CC726**	10'
CC727**	12'
CC728**	16'
CC729**	20'

**Must ship via truck

GENUINE EXTRU-LITE™ MAGNESIUM



Combination Keyhole Mag Bump Screed (not shown)

Unique straightedge design can be reversed to use the flat or curved side of the tool. Plugged ends eliminate build-up in tool.

Includes threaded bracket (CC676) and 12' magnesium threaded handle (CC229). See End View at right for side shape and measurements.

No.	Size
CC730**	12'

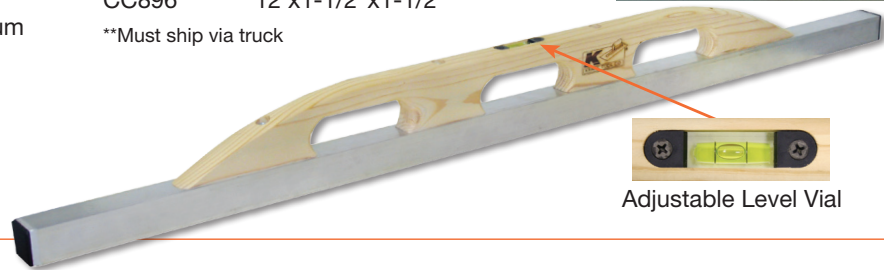
**Must ship via truck

BuckEye™ Straightedge With Level Vial Handle

One-person straightedge for striking off, leveling and bringing concrete to surface grade. Top reading spring-loaded level vial for easy on-the-job adjustments. Made of lightweight high grade aluminum alloy. Wood handle tapered for smooth comfortable grip.

No.	Size
CC891	4'x1-1/2"x1-1/2"
CC892	5'x1-1/2"x1-1/2"
CC893	6'x1-1/2"x1-1/2"
CC894**	8'x1-1/2"x1-1/2"
CC895**	10'x1-1/2"x1-1/2"
CC896**	12'x1-1/2"x1-1/2"

**Must ship via truck



Adjustable Level Vial

Buckaroo™ Straightedge With Level Vial Handle

One-person straightedge for floating or striking off concrete. Smooth tapered handle includes top reading adjustable level vial for easy positioning. Base of tool comes with round edge for floating and square edge for cutting. Made from magnesium, very lightweight. Ideal for concrete and landscape construction.

No.	Size
CC897	40"x1-3/8"x2"
CC421L	4'x1-3/8"x2"
CC422L	6'x1-3/8"x2"
CC428L**	8'x1-3/8"x2"
CC423L**	10'x1-3/8"x2"

**Must ship via truck



Adjustable Level Vial

Aluminum Curb Forming Tool

Lightweight aluminum blade is used to shape curbs. Features two comfortable wooden knob handles set 12" from each end. End caps prevent build up of material from extended use.

No.	Size
CC635	48"x1"x2"



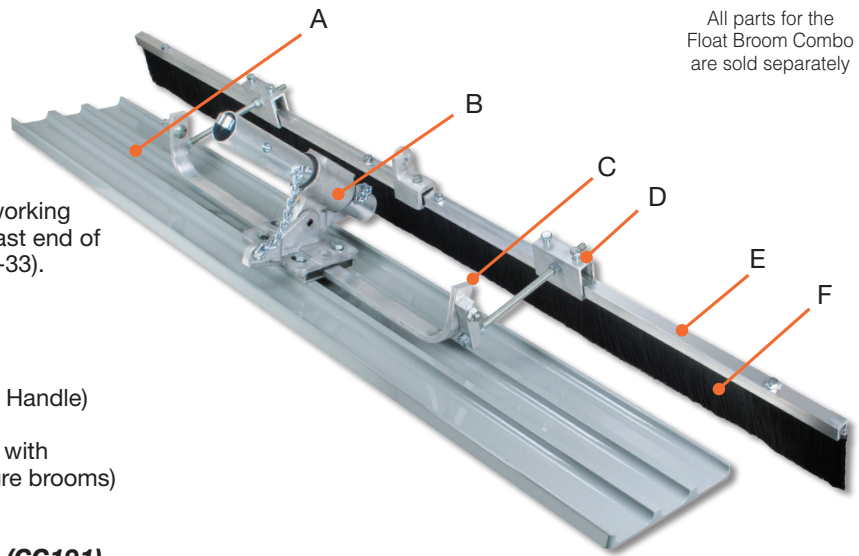
Float and Broom Combo

Float and broom in one pass
Helps eliminate reaching and lifting
Perfect tool for wide slabs

Great tool to finish wide slabs without reaching or lifting. Adjustable broom adapter bar allows user to determine the working angle of the broom. For best results, broom should extend past end of float. Use with bull float handles and adapters (see pages 30-33).

PARTS MUST BE ORDERED SEPARATELY.

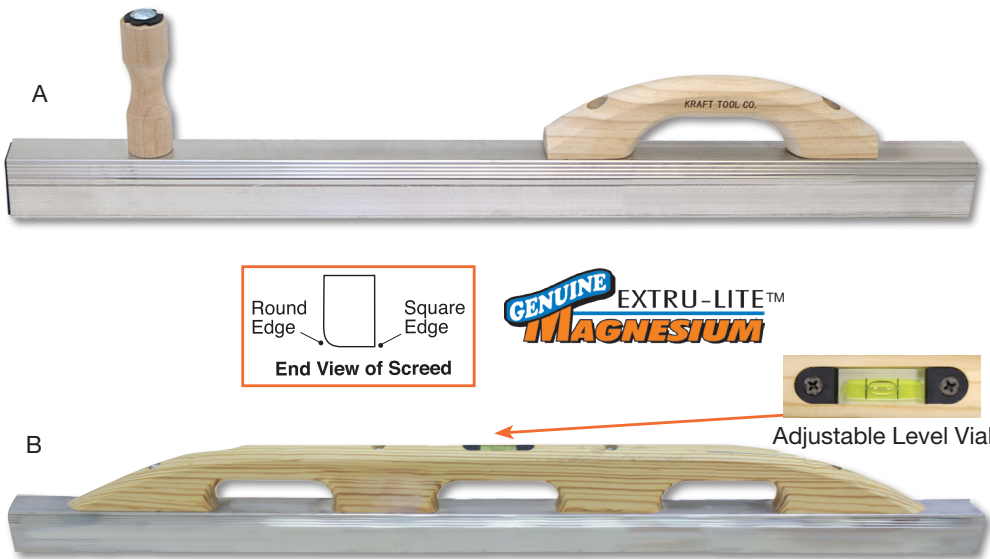
No.	Description
A) CC802-01	48"x8" Heavy-Duty Magnesium Bull Float
B) CC294	EZY-Tilt® II 6-Hole Bracket (use 1-3/8" or 1-3/4" Snap Button Bull Float Handle)
C) CC181	Combo Broom Adapter Bar with Brackets (Fits Bull Floats, Big "D" Floats and Fresnos with tilting brackets or adapters to use with texture brooms)
D) CC191	Replacement Bracket for Adapter Bar (Sold individually, 2 required)
E) CC182	54" Weigh-Lite® Broom with two brackets (CC191) for adapter bar
F) CC190	54" Replacement Broom Strip for (CC182) Medium Bristles



All parts for the Float Broom Combo are sold separately

Works with Many Other Tools, too!

- Other Brooms (pg. 77)
- Flat Wire Texture Broom (pg. 71)
- Bull Floats (pg. 37)
- Fresnos with 2 Hole Bracket (pg. 42-43)
- Big "D" Steel Fresno (pg. 37)
- Gator Tools™ Bull Floats, Fresnos (pg. 88-89)



A) 28" Countertop Darby

Smooth and level concrete countertops with this lightweight magnesium countertop darby. The base of the tool has a rounded edge for floating and a square edge for cutting or finishing. Wooden knob and rib handle give perfect control.

No.	Size
CC898	28"x1-3/8"x2"

B) 40" Buckaroo™ Straightedge

Small size makes this tool ideal for finishing concrete island countertops. The base of the tool has a rounded edge for floating and a square edge for cutting or finishing. Smooth 3-hole wooden handle includes adjustable top-reading level vial.

No.	Size
CC897	40"x1-3/8"x2"

Liquid Release

Easy to apply with sprayer. Forms lubricating barrier between concrete and mats. Use on colored or uncolored concrete. Alternative to powdered release agents. 5 Gallons.

No. RR175**

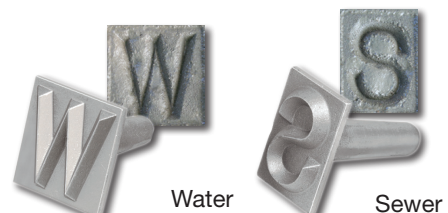
**Must ship via truck



Utility Stamps

Stamp concrete with locations of water and sewer lines. 3" tall letters made of long-wearing cast aluminum. Large 4-3/4" handle can be used by hand or with mallet.

No.	Description
CF405	Water Utility Stamp
CF403	Sewer Utility Stamp



**Wood and Canvas-Resin
Bull Floats**
Page 38

**Wood and Canvas-Resin
Hand Floats**
Pages 16, 19, 121