

### Features

- Vitreous china.
- Elongated bowl.
- Class Five® dual flushing system.
- Polished chrome right-hand trip lever.
- Less seat and supply.
- 10" (254 mm) rough-in.
- High efficiency 1.6 gpf (6.1 lpf) or 1.1 gpf (4.2 lpf).
- 2-1/8" (54 mm) glazed trapway.
- 11-3/8" (289 mm) x 8" (203 mm) water area.

### Recommended Accessories

- K-4636 Toilet Seat
- K-4688 Toilet Seat
- K-7637 Angle Supply with Stop (single)
- K-4731-C Commercial Heavy-duty Toilet Seat
- K-4731-CA Commercial Heavy-duty Toilet Seat
- K-4731-GC Commercial Heavy-duty Toilet Seat
- K-4731-SA Commercial Heavy-duty Toilet Seat
- K-4731-SC Commercial Heavy-duty Toilet Seat

### Components

Product includes:

- K-4373 Toilet Bowl
- K-4458-RA Dual-Flush Tank

Additional included component/s: Trip lever, and Bolt cap accessory pack.



ADA    CSA B651    OBC

### Codes/Standards

ASME A112.19.2/CSA B45.1  
EPA WaterSense®  
ADA  
ICC/ANSI A117.1  
CSA B651  
OBC




### KOHLER® One-Year Limited Warranty

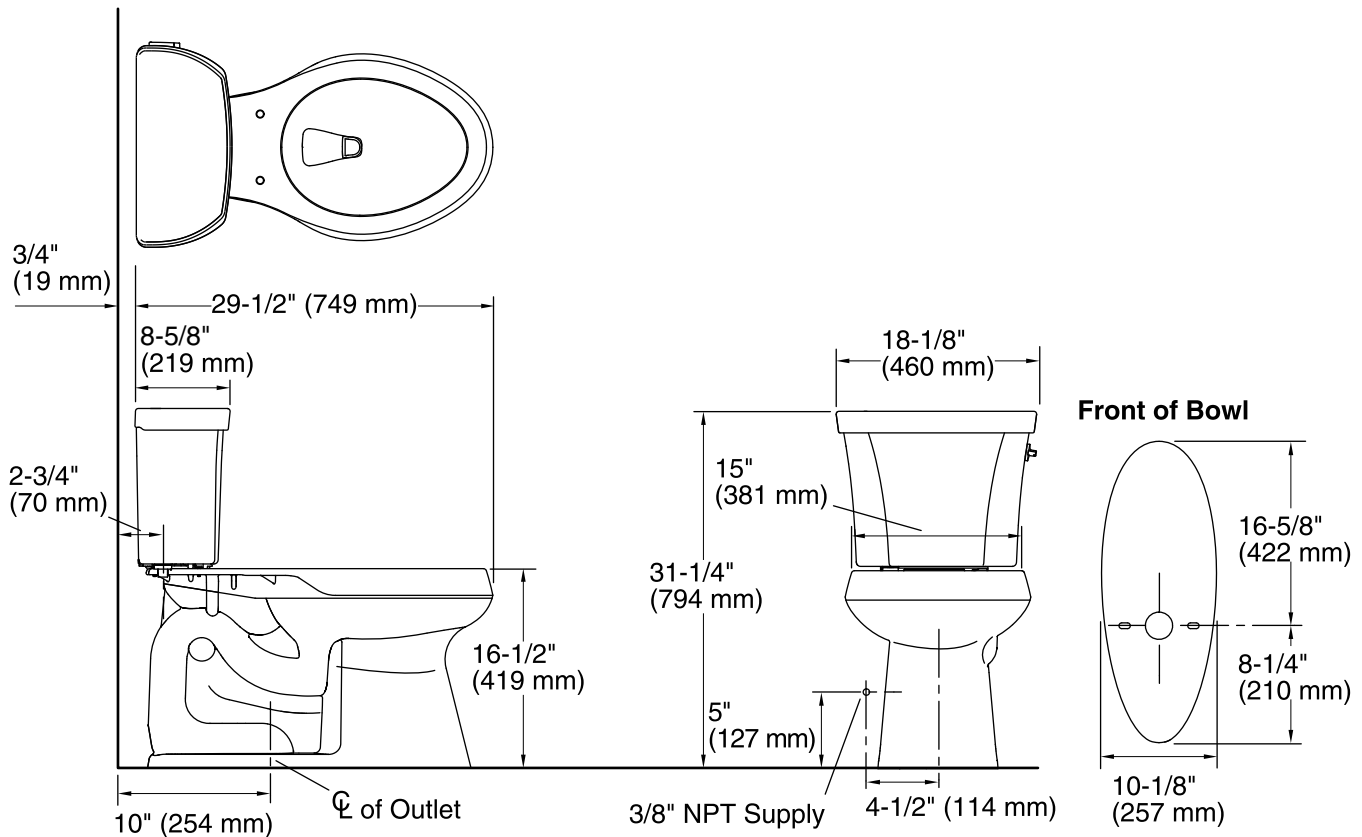
See website for detailed warranty information.

### Available Color/Finishes

*Color tiles intended for reference only.*

Color	Code	Description
-------	------	-------------

	0	White
	96	Biscuit
	47	Almond



## Technical Information

All product dimensions are nominal.

Toilet type:	Two-piece, Floor-mount
Waste Outlet:	Floor
Bowl shape:	Elongated front
Flush type:	Class Five
Trap passageway:	2-1/8" (54 mm)
Water surface size:	11-3/8" x 8" (289 mm x 203 mm)
Rim to water surface:	5-3/8" (137 mm)
Rough-in:	10" (254 mm)
Seat-mounting holes:	5-1/2" (140 mm)

## Notes

Install this product according to the installation instructions.

The Model Plumbing Codes require the installation of elongated open-front toilet seats in public bathrooms.

ADA, OBC, CSA B651 compliant when installed to the specific requirements of these regulations.

Plumbing Codes require elongated toilets and elongated, open-front toilet seats in public bathrooms.

Accessibility standards require controls to be located on the open side of the toilet.