



ZVFCV39/42/47

ZERO CLEARANCE UNIVERSAL VENT FREE GAS FIREPLACE



THE ULTIMATE IN DESIGN, ENGINEERING & QUALITY

Unit illustrated is a ZVFCV42 Zero Clearance Universal Vent Free Fire Place, with GLVF24MVN Vent Free Millivolt Natural Gas Burner, LOGF24 Fibre Split Oak Log Set, ZCV42RLH Herringbone Brick Liner.



2340 Logan Avenue
 Winnipeg, Manitoba, Canada R2R 2V3
 Phone: (204) 632-1962 Fax: (204) 632-1960
www.kingsmanfireplaces.com

Model:	GLVF24MAN	GLVF24MAP	GLVF24MVN	GLVF24MVP
Fuel:	Natural	Propane	Natural	Propane
Gas Control:	Manual	Manual	Millivolt	Millivolt
Input Max:	38,250 BTU	38,000 BTU	38,250 BTU	38,000 BTU
Input Min:	25,500 BTU	29,000 BTU	25,500 BTU	29,000 BTU

The ultimate in Zero Clearance Vent-Free Fireplaces for new home construction or renovation, and your best choice for installation anywhere throughout your home.

STANDARD FEATURES

- Hi/low Millivolt or manual valve with variable adjustment of flame and BTU
- An ODS sensor that constantly monitors the room air and provides 100% gas shut off if oxygen is reduced below acceptable levels
- Black Canopy Hood
- Matchless Piezo Ignition
- Pull Screen
- Decorative Ash Bed
- Wall Switch Control (for Millivolt Systems Only)

OPTIONAL FEATURES

Fan Kit

Blower with variable speed control

Surrounds

- ZCV39S1BL – Hearth Mount 4" Wide
Coverage: 40 5/8" W x 35" H
- ZCV39S1PFBL – Picture Frame 4" Wide
Coverage: 40 5/8" W x 37" H
- ZCV39S2PFBL – Surround - Picture Frame 1 5/8" Wide
Coverage: 36 1/8" W x 32 1/2" H
- ZCV42S1BL – Hearth Mount 4" Wide
Coverage: 44 5/8" W x 38 1/8" H
- ZCV42S1PFBL – Picture Frame 4" Wide
Coverage: 44 5/8" W x 40 1/8" H
- ZCV42S2PFBL – Surround - Picture Frame 1 5/8" Wide
Coverage: 40 1/8" W x 35 5/8" H
- ZCV47S1BL – Hearth Mount 4"
Coverage: 50 9/16" W x 43 3/16" H

Thermostat (Millivolt)

Wall Mount Millivolt Thermostat or Programmable Thermostat

Remote Control (Millivolt)

On/Off, Thermostat or Hi/Lo On/Off



Brick Liners

ZVFCV39/42 Brick Options

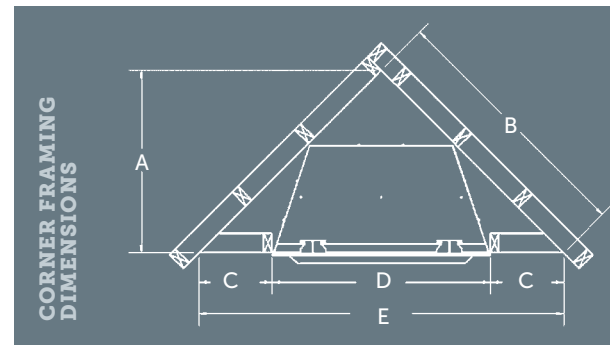
- Refractory Fiber Brick Liner (3 PCE) – Traditional
- Refractory Fiber Brick Liner (3 PCE) – Herringbone
- Refractory Fiber Brick Liner (3 PCE) – Red Herringbone
- Refractory Fiber Brick Liner (3 PCE) – Stacked Brick

ZVFCV47 Brick Options

Traditional and Herringbone

CORNER FRAMING DIMENSIONS (IN.)

	ZVFCV39	ZVFCV42	ZVFCV47
A	33"	34 3/4"	39 1/2"
B	46 5/8"	49 1/8"	55 13/16"
C	13 1/4"	13 1/2"	15 1/4"
D	39 1/2"	42 1/2"	48 1/2"
E	65 15/16"	69 7/16"	78 15/16"



VENT-FREE FIREBOX UNIT AND FRAMING SPECIFICATIONS (IN.)

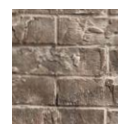
Top Flue Models	Height Actual	Height Framing	Width Actual	Width Framing	Depth Actual	Depth Framing
ZVFCV39	37 1/4"	37 5/16"	39 3/8"	39 1/2"	20 3/16"	20 5/16"
ZVFCV42	40 5/16"	40 3/8"	42 7/16"	42 1/2"	20 3/16"	20 5/16"
ZVFCV47	45 3/8"	45 7/16"	48 3/8"	48 1/2"	22 1/2"	22 5/8"



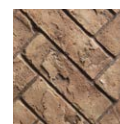
LOGF18 Log Set



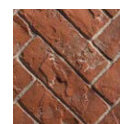
LOGF30 Log Set (For ZVFC52 only)



Traditional Brick Liner RL



Herringbone Brick Liner RLH



Red Herringbone Brick Liner RRH



Stacked Brick Liner RLS



*Components may have to be ordered separately to create a complete unit. Discuss with your local Kingsman dealer for clarification. For sale in the US only. Kingsman Industries maintains a program of continuous testing, refinement and improvements of all its products. Some aspect of units shown here may be changed at any time without notice or obligation. Certification: ANSI Z21.91-2007 ventless firebox enclosures for gas-fired inverted decorative room heater. USA only.