

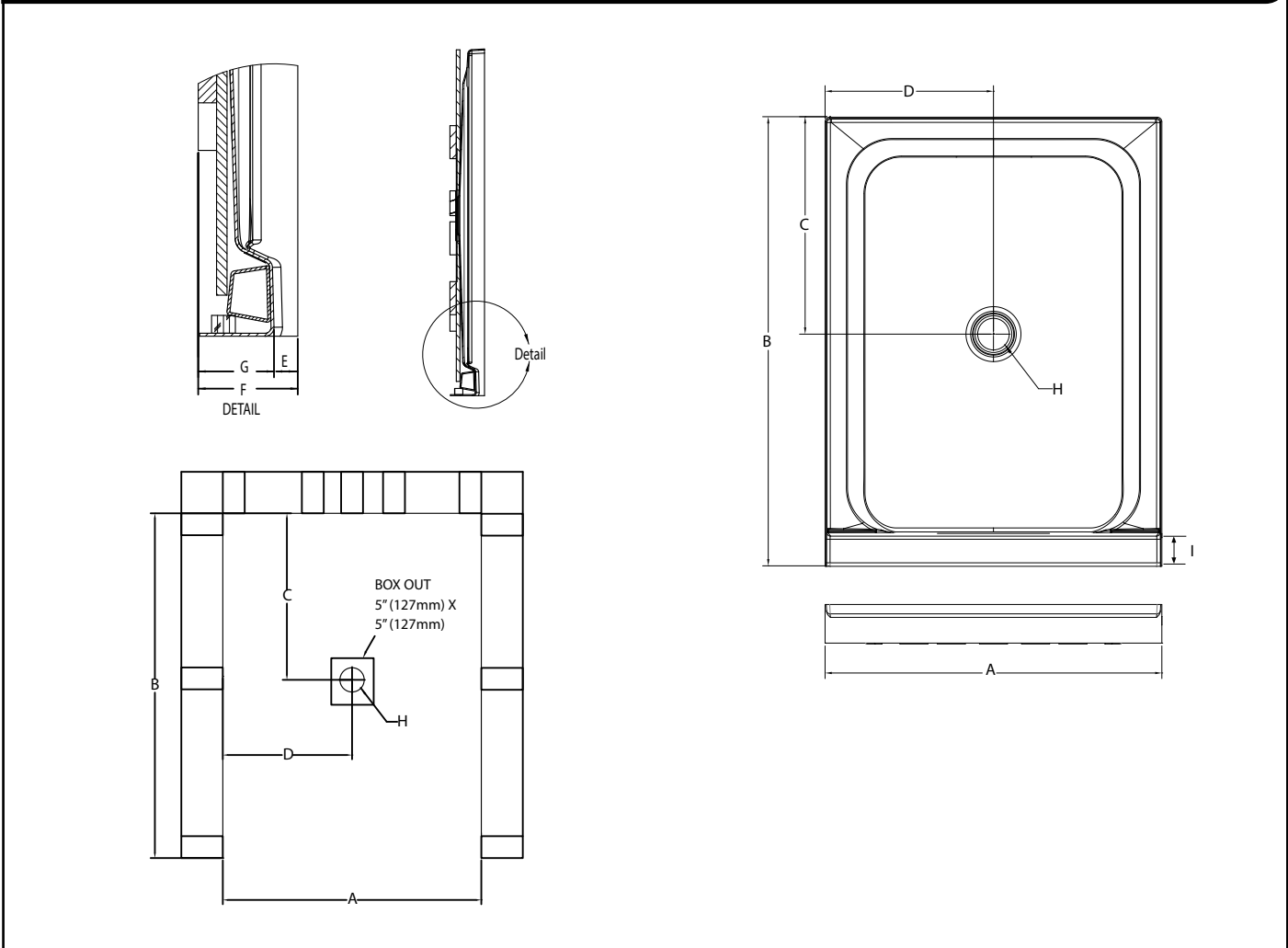


3648 Catalina™ Shower Pan

TECHNICAL SPECIFICATIONS

Dimensions	
Weight (Empty)	50 lbs (23 kg)
Weight (Packaged)	55 lbs (25 kg)
Overall Dimensions	36" (915 mm) x 48" (1220 mm) x 3-3/16" (81 mm)
Drain Location	Center
Total Weight (Floor Loading)	29 lbs/ft ² (142 kg/m) ²
Water Pressure Requirement	N/A
A. Overall Width	36" (915 mm)
B. Overall Depth (Includes Nailing Flange)	48" (1220 mm)
C. Drain Rough-In (From Back Wall)	24-13/16" (630 mm)
D. Drain Rough-In (From Side Wall)	18" (457 mm)
E. Flange Height	1" (25.4 mm)
F. Overall Height (Includes Nailing Flange)	4-3/16" (106 mm)
G. Skirt Height	3-3/16" (81 mm)
H. Drain Diameter	3-3/8" (86 mm)
I. Threshold Width	3-1/4" (83 mm)
Accessories	
Drain Kit with Strainer (Included)	MB28827

KEY DIMENSIONS



© 2016 Jacuzzi Luxury Bath • For additional information call Customer Service 800-288-4002 • <http://www.jacuzzi.com/baths/support/specs-and-manuals/>
 Refer to installation instructions included with fixture before beginning installation. Please confirm product availability and specifications before commencing with any installation work.
 PRODUCT SPECIFICATIONS AND AVAILABILITY ARE SUBJECT TO CHANGE WITHOUT NOTICE.

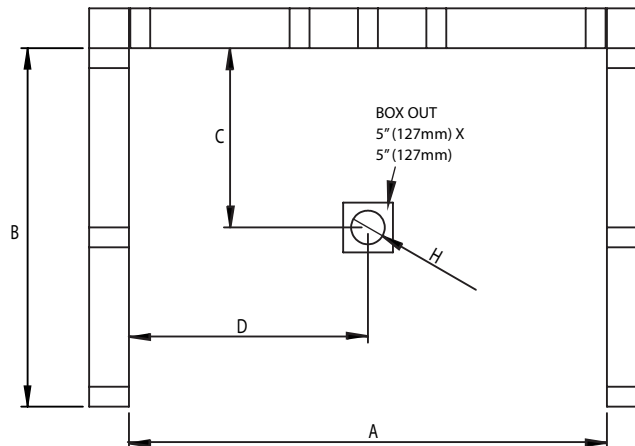
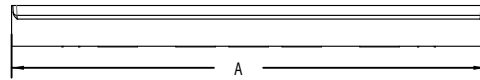
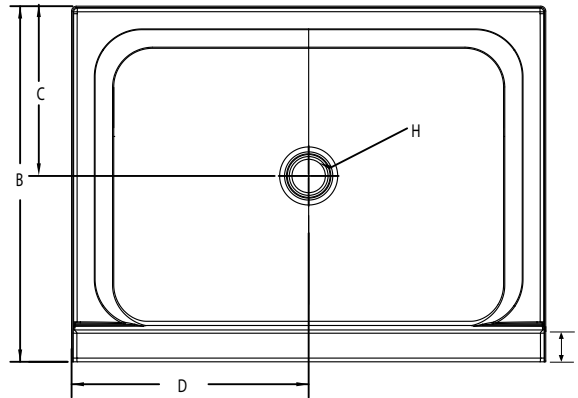
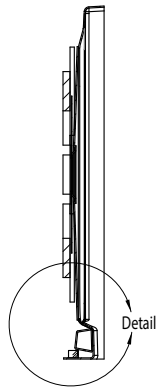
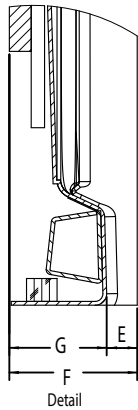


4836 Catalina™ Shower Pan

TECHNICAL SPECIFICATIONS

Dimensions	
Weight (Empty)	50 lbs (23 kg)
Weight (Packaged)	55 lbs (25 kg)
Overall Dimensions (L) x (W) x (H)	48" (1220 mm) x 36" (915 mm) x 3-3/16" (81 mm)
Drain Location	Center
Total Weight (Floor Loading)	29 lbs/ft ² (142 kg/m) ²
Water Pressure Requirement	N/A
A. Overall Width	48" (1220 mm)
B. Overall Depth (Includes Nailing Flange)	36" (915 mm)
C. Drain Rough-In (From Back Wall)	17 3/16" (437 mm)
D. Drain Rough-In (From side wall)	24" (610 mm)
E. Flange Height	1"(25.4 mm)
F. Overall Height (Includes Nailing Flange)	4-3/16" (106 mm)
G. Skirt Height	3-3/16" (81 mm)
H. Drain Diameter	3-3/8" (86 mm)
I. Threshold Width	3-1/4" (83 mm)
Accessories	
Drain Kit with Strainer (Sold Separately)	MB28827

KEY DIMENSIONS



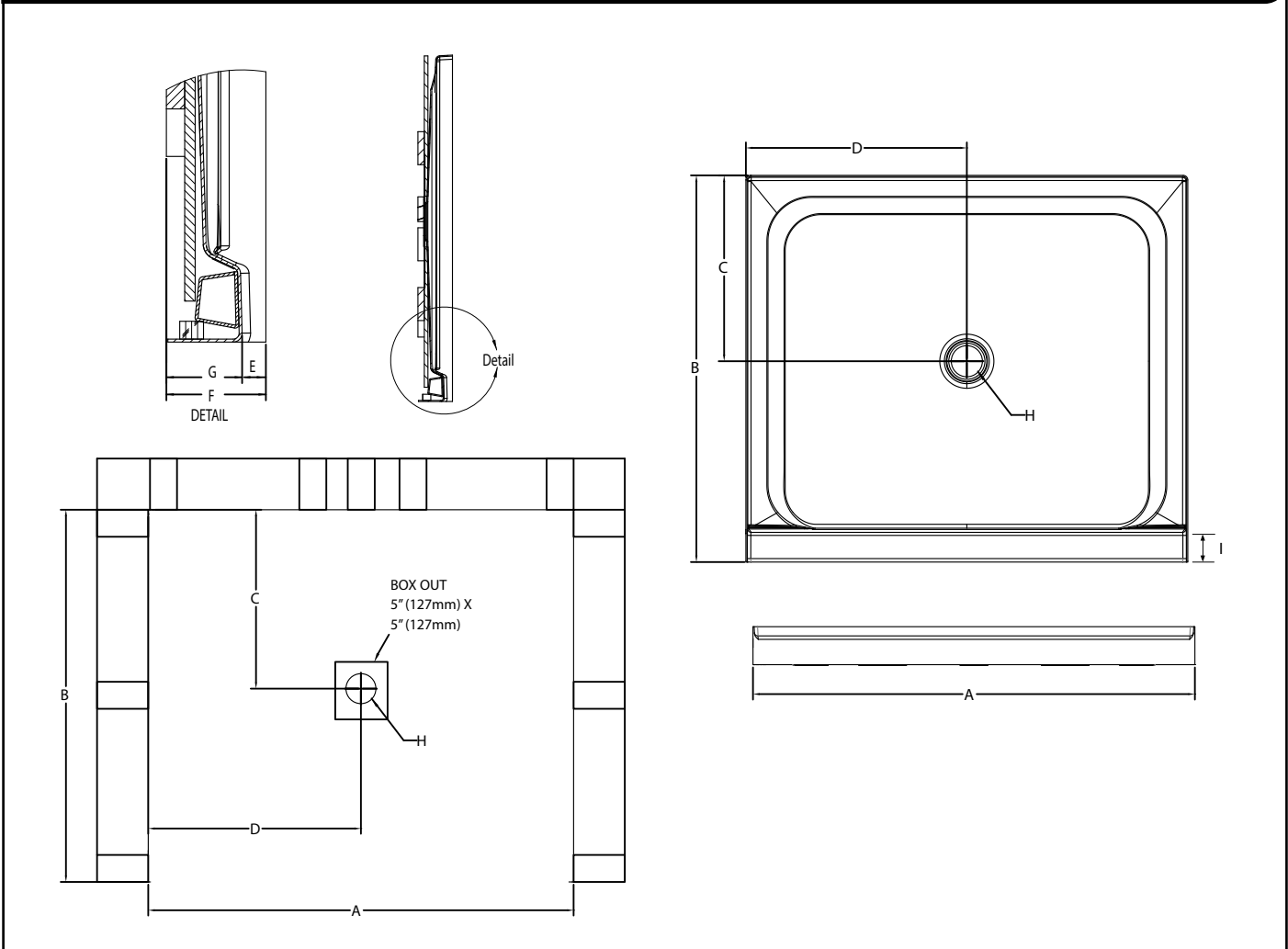


4842 Catalina™ Shower Pan

TECHNICAL SPECIFICATIONS

Dimensions	
Weight (Empty)	53 lbs (24 kg)
Weight (Packaged)	58 lbs (26 kg)
Overall Dimensions	48" (1220 mm) x 42" (1067 mm) x 3-3/16" (81 mm)
Drain Location	Center
Total Weight (Floor Loading)	25.3 lbs/ft ² (124 kg/m) ²
Water Pressure Requirement	N/A
A. Overall Width	48" (1220 mm)
B. Overall Depth (Includes Nailing Flange)	42" (1067 mm)
C. Drain Rough-In (From Back Wall)	20-3/16" (513 mm)
D. Drain Rough-In (From Side Wall)	24" (610 mm)
E. Flange Height	1" (25.4 mm)
F. Overall Height (Includes Nailing Flange)	4-3/16" (106 mm)
G. Skirt Height	3-3/16" (81 mm)
H. Drain Diameter	3-3/8" (86 mm)
I. Threshold Width	3-1/4" (83 mm)
Accessories	
Drain Kit with Strainer (Included)	MB 2 8 8 2 7

KEY DIMENSIONS



© 2016 Jacuzzi Luxury Bath • For additional information call Customer Service 800-288-4002 • <http://www.jacuzzi.com/baths/support/specs-and-manuals/>
 Refer to installation instructions included with fixture before beginning installation. Please confirm product availability and specifications before commencing with any installation work.
 PRODUCT SPECIFICATIONS AND AVAILABILITY ARE SUBJECT TO CHANGE WITHOUT NOTICE.

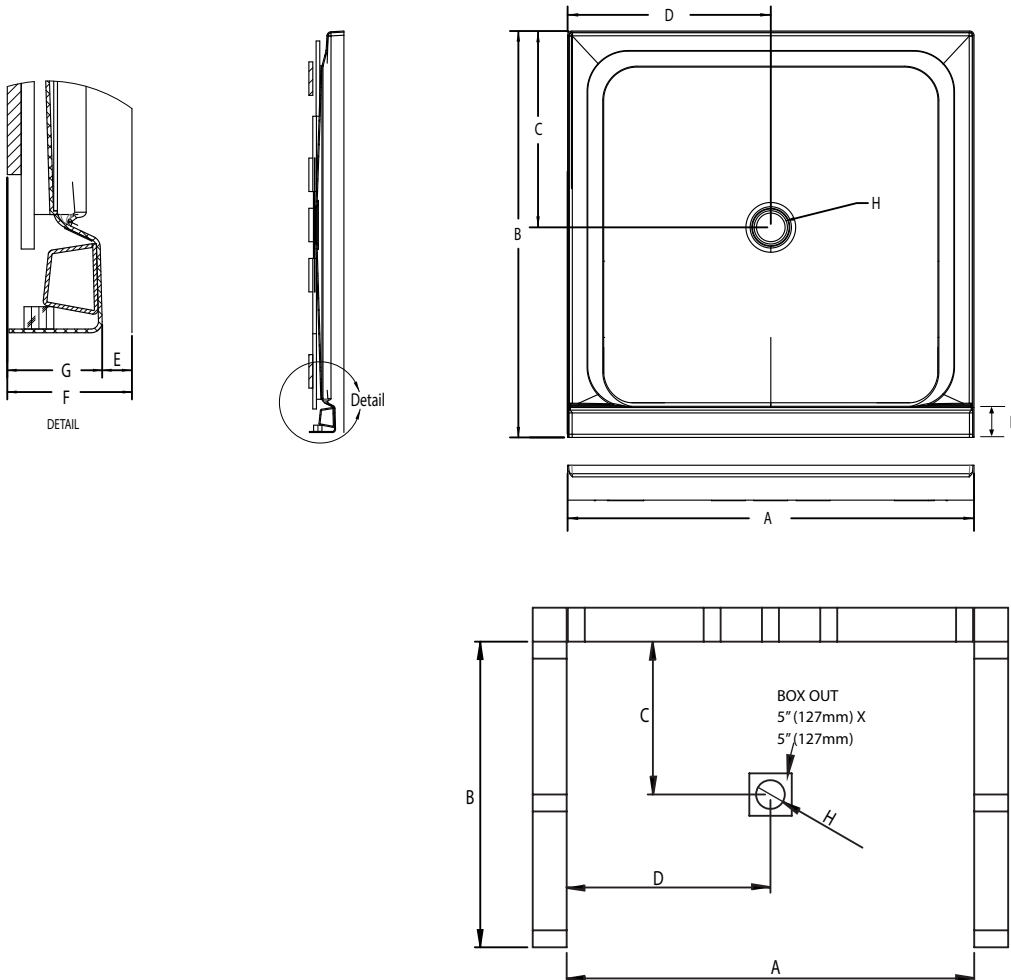


4848 Catalina™ Shower Pan

TECHNICAL SPECIFICATIONS

Dimensions	
Weight (Empty)	55 lbs (25 kg)
Weight (Packaged)	60 lbs (27 kg)
Overall Dimensions	48" (1220 mm) x 48" (1220 mm) x 3-3/16" (81 mm)
Drain Location	Center
Total Weight (Floor Loading)	22.2 lbs/ft ² (109 kg/m) ²
Water Pressure Requirement	N/A
A. Overall Width	48" (1220 mm)
B. Overall Depth (Includes Nailing Flange)	48" (1220 mm)
C. Drain Rough-In (From Back Wall)	23 3/16" (589 mm)
D. Drain Rough-In (From side wall)	24" (610 mm)
E. Flange Height	1" (25.4 mm)
F. Overall Height (Includes Nailing Flange)	4-3/16" (106 mm)
G. Skirt Height	3-3/16" (81 mm)
H. Drain Diameter	3-3/8" (86 mm)
I. Threshold Width	3-1/4" (83 mm)
Accessories	
Drain Kit with Strainer (Sold Separately)	MB28827

KEY DIMENSIONS



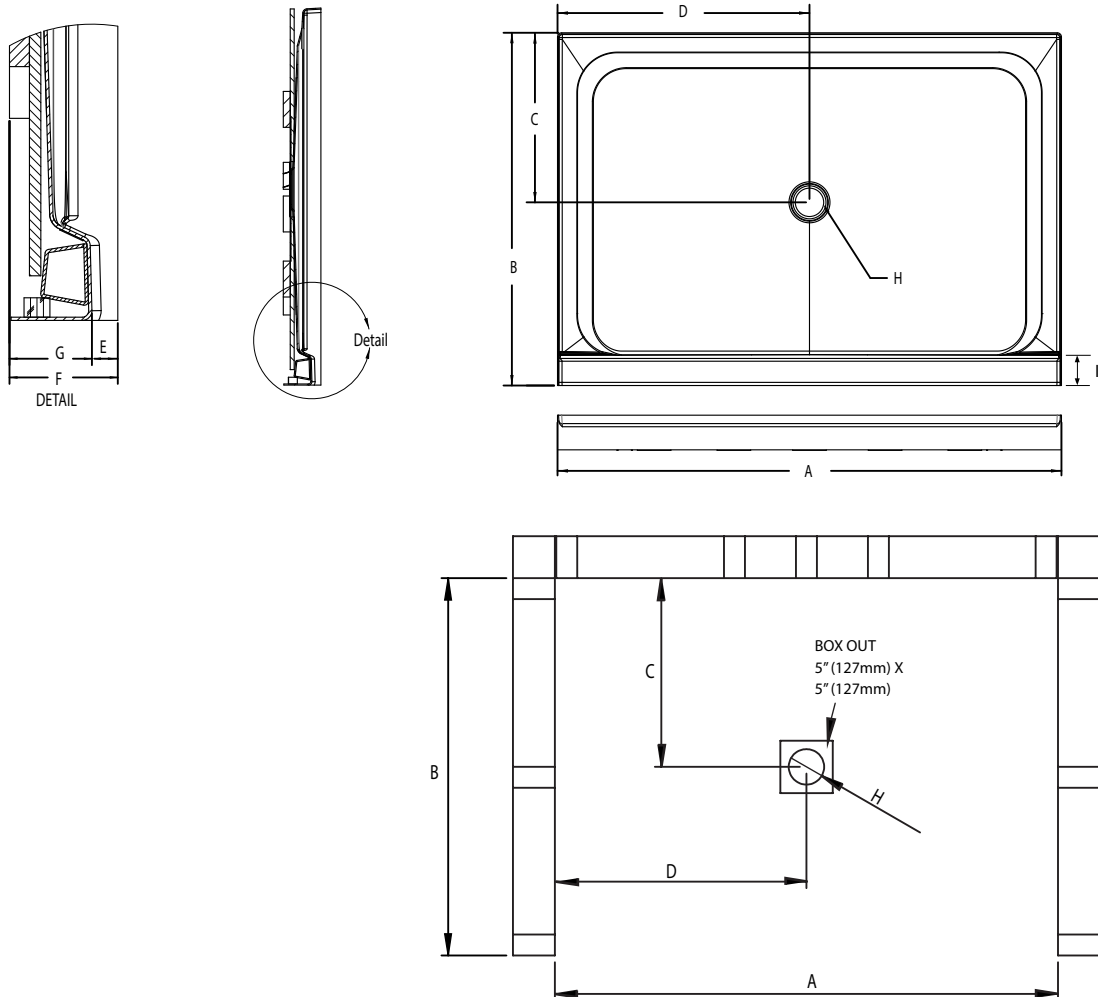


6042 Catalina™ Shower Pan

TECHNICAL SPECIFICATIONS

Dimensions	
Weight (Empty)	68 lbs (31 kg)
Weight (Packaged)	73 lbs (33 kg)
Overall Dimensions	60" (1524 mm) x 42" (1067 mm) x 3-3/16" (81 mm)
Drain Location	Center
Total Weight (Floor Loading)	21 lbs/ff ² (103 kg/m) ²
Water Pressure Requirement	N/A
A. Overall Width	60" (1525 mm)
B. Overall Depth (Includes Nailing Flange)	42" (1067 mm)
C. Drain Rough-In (From Back Wall)	20-3/16" (513 mm)
D. Drain Rough-In (From Side Wall)	30" (762 mm)
E. Flange Height	1" (25.4 mm)
F. Overall Height (Includes Nailing Flange)	4-3/16" (106 mm)
G. Skirt Height	3-3/16" (81 mm)
H. Drain Diameter	3-3/8" (86 mm)
I. Threshold Width	3-1/4" (83 mm)
Accessories	
Drain Kit with Strainer (Sold Separately)	MB28827

KEY DIMENSIONS



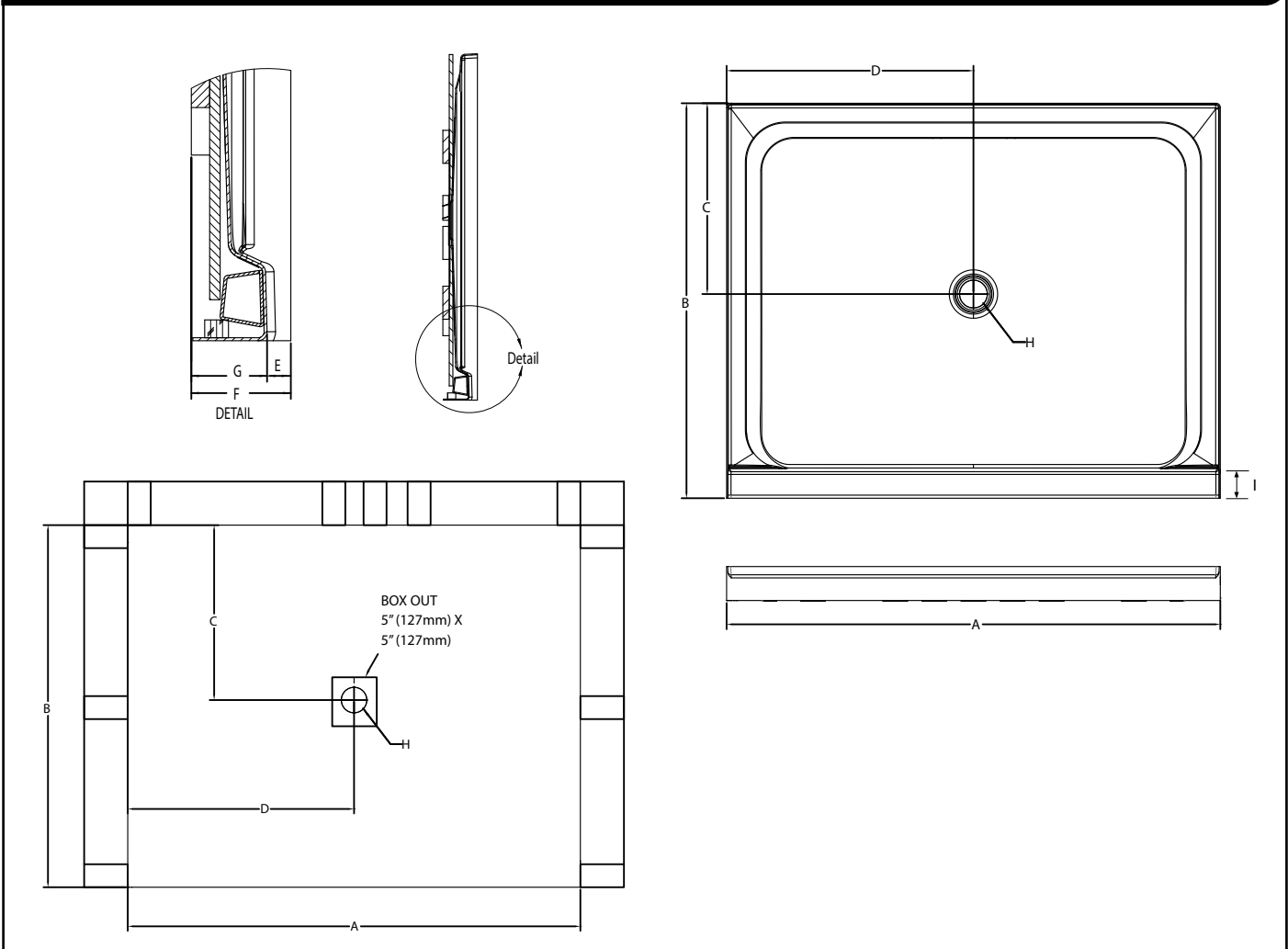


6048 Catalina™ Shower Pan

TECHNICAL SPECIFICATIONS

Dimensions	
Weight (Empty)	71 lbs (32 kg)
Weight (Packaged)	76 lbs (34 kg)
Overall Dimensions	60" (1524 mm) x 48" (1220 mm) x 3-3/16" (81 mm)
Drain Location	Center
Total Weight (Floor Loading)	19.3 lbs/ft ² (94 kg/m) ²
Water Pressure Requirement	N/A
A. Overall Width	60" (1524 mm)
B. Overall Depth (Includes Nailing Flange)	48" (1220 mm)
C. Drain Rough-In (From Back Wall)	23-3/16" (589 mm)
D. Drain Rough-In (From Side Wall)	30" (762 mm)
E. Flange Height	1" (25.4 mm)
F. Overall Height (Includes Nailing Flange)	4-3/16" (106 mm)
G. Skirt Height	3-3/16" (81 mm)
H. Drain Diameter	3-3/8" (86 mm)
I. Threshold Width	3-1/4" (83 mm)
Accessories	
Drain Kit with Strainer (Included)	MB 2 8 8 2 7

KEY DIMENSIONS



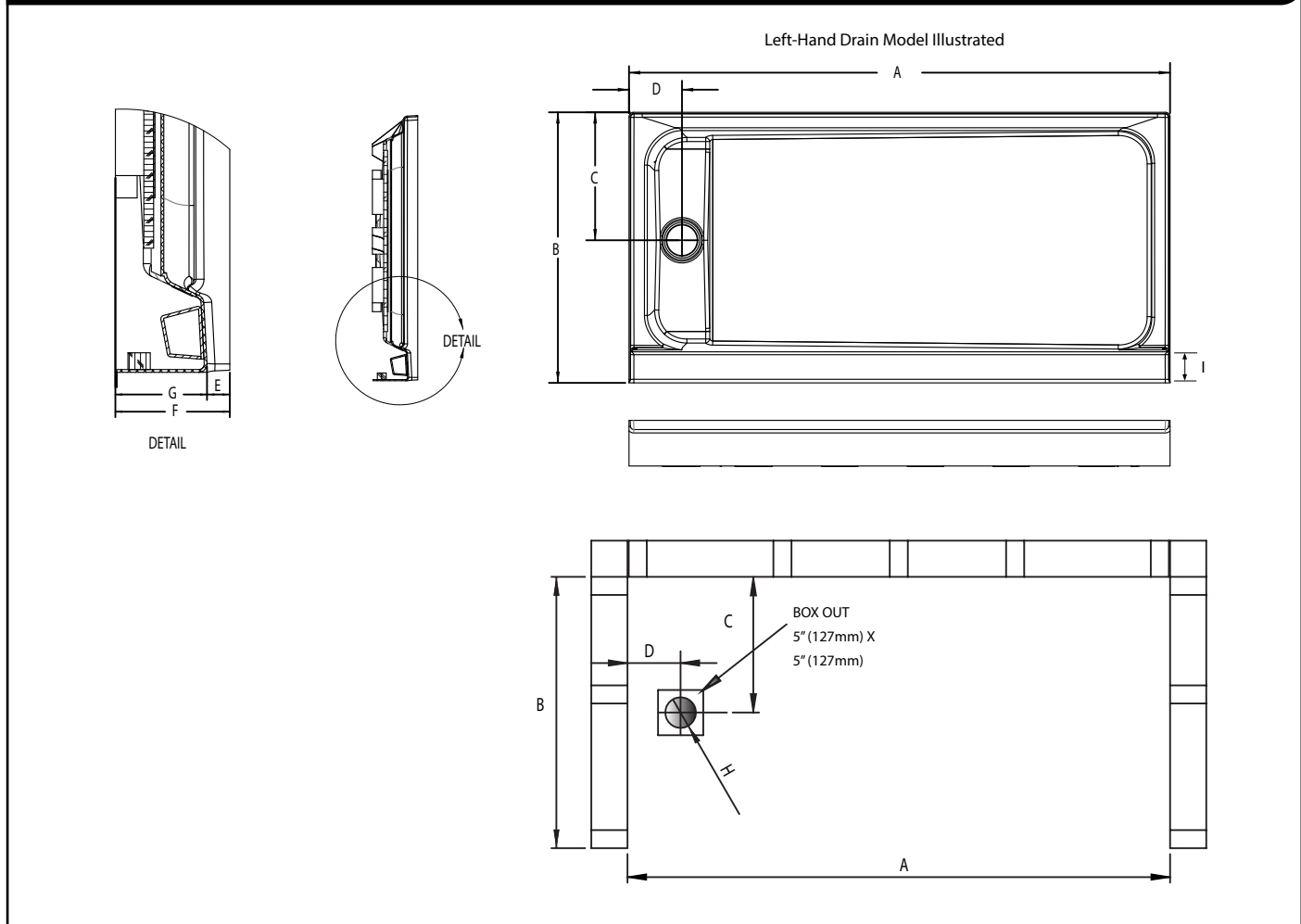


6030 Catalina™ Shower Pan

TECHNICAL SPECIFICATIONS

Dimensions	
Weight (Empty)	55 lbs (25 kg)
Weight (Packaged)	60 lbs (27 kg)
Overall Dimensions	60" (1524 mm) x 30" (762 mm) x 4-1/8" (105 mm)
Drain Location	Left or Right Hand
Total Weight (Floor Loading)	28 lbs/ft ² (139 kg/m ²)
Water Pressure Requirement	N/A
A. Overall Width	60" (1524 mm)
B. Overall Depth (Includes Nailing Flange)	30" (762 mm)
C. Drain Rough-In (From Back Wall)	14-3/16" (361 mm)
D. Drain Rough-In (From Side Wall)	5-7/8" (150 mm)
E. Flange Height	1" (25.4 mm)
F. Overall Height (Includes Nailing Flange)	5-1/8" (131 mm)
G. Skirt Height	4-1/8" (105 mm)
H. Drain Diameter	3-3/8" (86 mm)
I. Threshold Width	3-7/8" (98.4 mm)
Accessories	
Drain Kit with Strainer (Included)	MB28827
Drain Cover (Sold Separately)	MM17959 (WHITE)

KEY DIMENSIONS





6032 Catalina™ Shower Pan

TECHNICAL SPECIFICATIONS

Dimensions	
Weight (Empty)	59 lbs (27 kg)
Weight (Packaged)	64 lbs (29 kg)
Overall Dimensions	60" (1524 mm) x 32" (813 mm) x 4-1/8" (105 mm)
Drain Location	Left or Right Hand
Total Weight (Floor Loading)	27 lbs/ft ² (131 kg/m) ²
Water Pressure Requirement	N/A
A. Overall Width	60" (1524 mm)
B. Overall Depth (Includes Nailing Flange)	32" (813 mm)
C. Drain Rough-In (From Back Wall)	15-3/16" (386 mm)
D. Drain Rough-In (From Side Wall)	5-7/8" (150 mm)
E. Flange Height	1" (25.4 mm)
F. Overall Height (Includes Nailing Flange)	5-1/8" (131 mm)
G. Skirt Height	4-1/8" (105 mm)
H. Drain Diameter	3-3/8" (86 mm)
I. Threshold Width	3-7/8" (98.4 mm)
Accessories	
Drain Kit with Strainer (Included)	MB 28827
Drain Cover (Sold Separately)	MM 17959 (WHITE)

KEY DIMENSIONS

Left-Hand Drain Model Illustrated

