

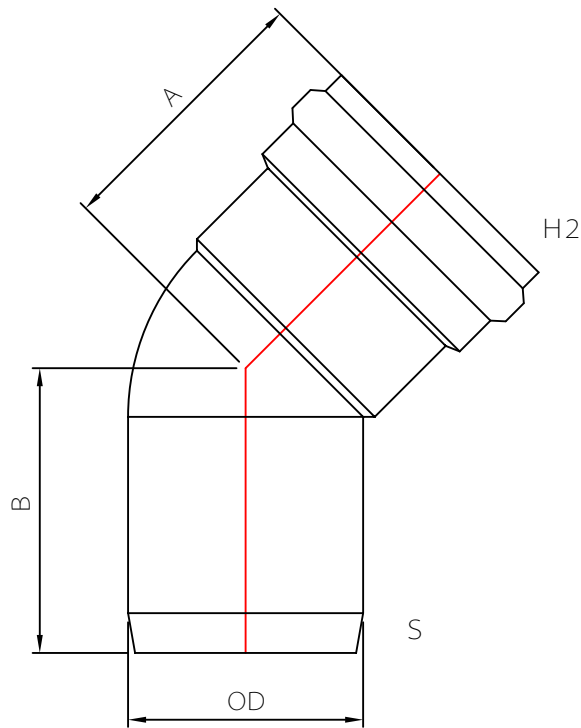


MULTI FITTINGS

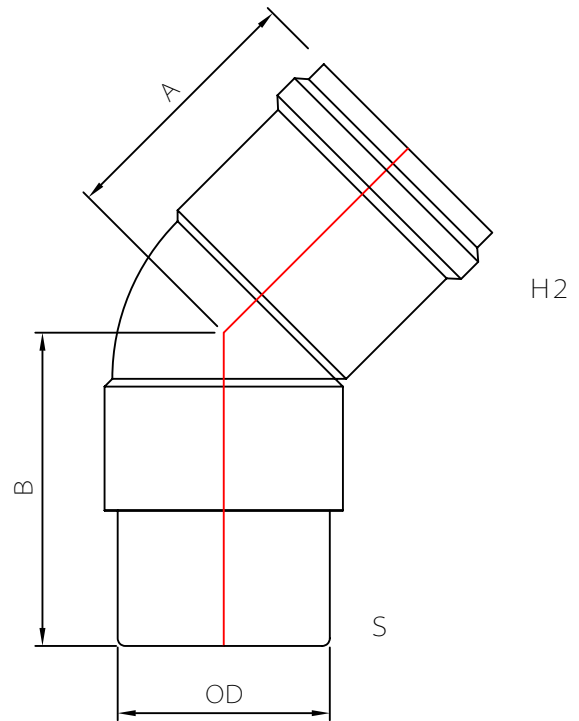
LAYING LENGTH

ISSUE DATE: 2017 11 30
SUPERCEDES: 2005 08 05

45° ELBOW (SxB)



INJECTION MOLDED FITTING(M)



FABRICATED FITTING(F)

	SIZE SxH2	PART NUMBER	A REF	B REF	OD
M+	4x4	274019	6.000	6.125	4.800
M+	6x6	274020	7.375	7.625	6.900
F@	8x8	532530	9.000	-	9.050
F@	10x10	532532	-	-	11.100
F@	12x12	532535	-	-	13.200

Note: + Refer to Page C9S4 -1 for Hub Detail
@ Refer to Page C9S5 for Hub Detail