

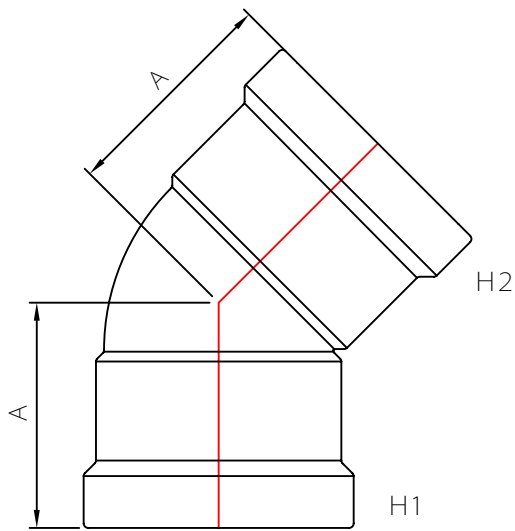


MULTI FITTINGS

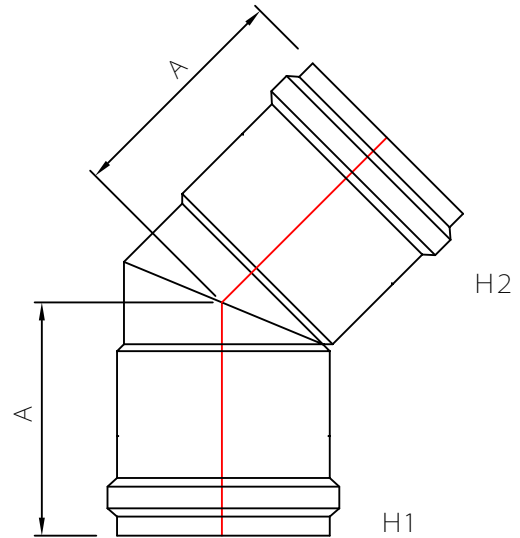
# LAYING LENGTH

ISSUE DATE: 2017 11 30  
SUPERCEDES: 2005 08 05

## 45° ELBOW (BxB)



INJECTION MOLDED FITTING(M)



FABRICATED FITTING(F)

	SIZE H1xH2	PART NUMBER	A REF
M=	4x4	274016	5.750
M=	6x6	274017	7.000
M=	8x8	274018	8.250
F@	10x10	532531	10.625
F@	12x12	532533	-

NOTE: = Refer to Page C9S4 for Hub Detail  
@ Refer to Page C9S5 for Hub Detail