

NOW FEATURING MOLDED CIOD FITTINGS



MULTI FITTINGS DR18 CIOD NON-PRESSURE SEWER FITTINGS

- Molded White in 4"- 8" sizes
- Fabricated (green or blue) in larger diameters

APPLICATIONS

- Gravity sewer drainage applications
- Non-pressure applications
- Seismic applications
- Under roadbeds and higher road load applications
- Transitions from CIOD to sewer

FEATURES & BENEFITS

- White in color molded
- Molded in 4"-8" configurations
- Long-term reliability
- Easy to install
- High impact strength
- Corrosion resistant

SIZES

Molded: 4" - 8"
Fabricated: 4" - 12"

MULTI FITTINGS

Telephone: 519 681-2140
Toll Free: 800 265-1815
Fax: 519 681-2156



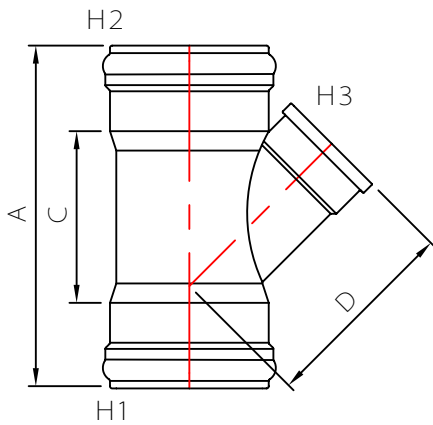


MULTI FITTINGS

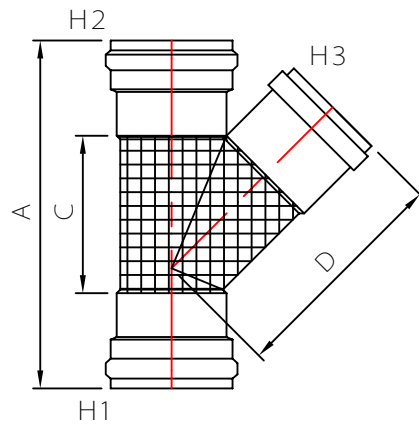
LAYING LENGTH

ISSUE DATE: 2017 11 30
SUPERCEDES: 2005 08 05

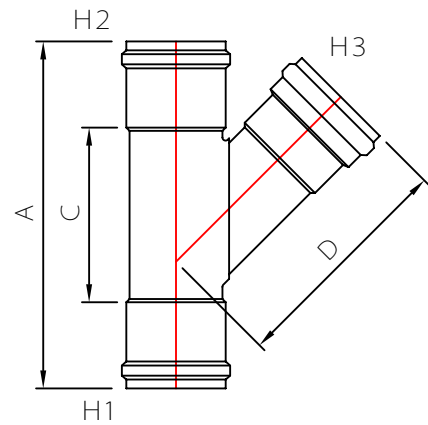
45° WYE (BxBxSDR35 B)



MOLDED FITTING (M)



FABRICATED FITTING (F1)



FABRICATED FITTING (F)

	SIZE H1xH2xH3	PART NUMBER	A REF	C REF	D REF
*F1	4x4x4	273984	28.000	-	13.000
F@	6x6x4	532838	-	-	-
F@	6x6x6	532805	-	-	-
M+#	8x8x4	274011	20.000	9.500	12.000
M+#	8x8x6	274012	22.750	12.250	13.375

Note: + Refer to Page C9S4 -1 for Hub Details
Refer to Page C9S4 -2 for Hub Details
@ Refer to Page C9S5 for Hub Details
* FRP Reinforced