

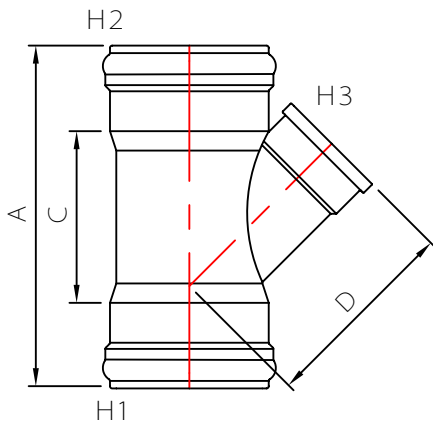


MULTI FITTINGS

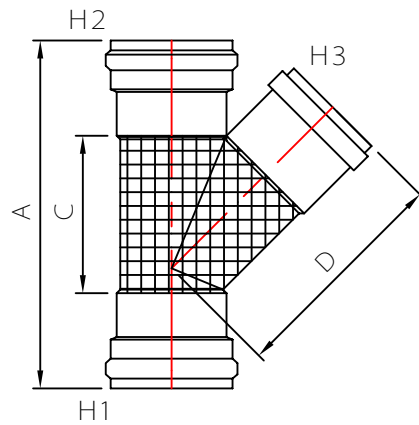
LAYING LENGTH

ISSUE DATE: 2017 11 30
SUPERCEDES: 2005 08 05

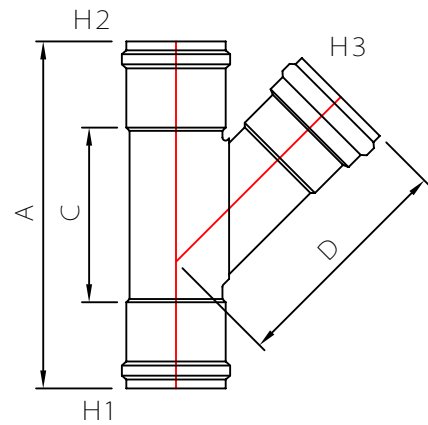
45° WYE (BxBxSDR35 B)



MOLDED FITTING (M)



FABRICATED FITTING (F1)



FABRICATED FITTING (F)

	SIZE H1xH2xH3	PART NUMBER	A REF	C REF	D REF
*F1	4x4x4	273984	28.000	-	13.000
F@	6x6x4	532838	-	-	-
F@	6x6x6	532805	-	-	-
M+#	8x8x4	274011	20.000	9.500	12.000
M+#	8x8x6	274012	22.750	12.250	13.375

Note: + Refer to Page C9S4 -1 for Hub Details
Refer to Page C9S4 -2 for Hub Details
@ Refer to Page C9S5 for Hub Details
* FRP Reinforced