

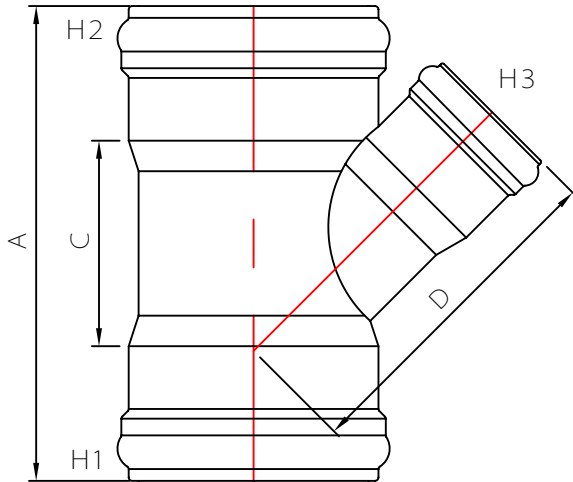


MULTI FITTINGS

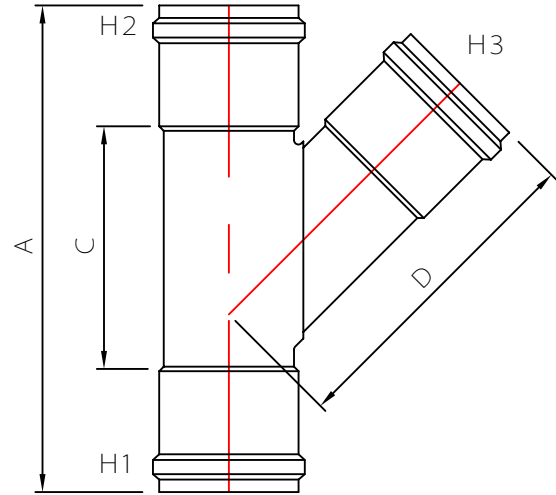
LAYING LENGTH

ISSUE DATE: 2017 11 30
SUPERCEDES: 2005 08 05

45 ° WYE (BxBxB)



MOLDED FITTING (M)



FABRICATED FITTING (F)

	SIZE H1xH2xH3	PART NUMBER	A REF	C REF	D REF
M+	4x4x4	274007	16.750	8.875	10.500
F@	6x6x4	532835	-	-	-
M+	6x6x6	274008	23.000	12.625	14.750
M+	8x8x4	274009	20.000	9.500	14.250
M+	8x8x6	274010	22.750	12.250	15.750
F@	8x8x8	532806	32.250	18.500	23.375
F@	10x10x4	532847	-	-	-
F@	10x10x6	532851	-	-	-
F@	10x10x8	532855	-	-	-
F@	10x10x10	532810	38.125	22.375	28.250
F@	12x12x4	532859	-	-	-
F@	12x12x6	532863	-	-	-
F@	12x12x8	532867	-	-	-
F@	12x12x10	532871	-	-	-
F@	12x12x12	532814	-	-	-

Note: + Refer to Page C9S4 -1 for Hub Detail
@ Refer to Page C9S5 for Hub Detail