

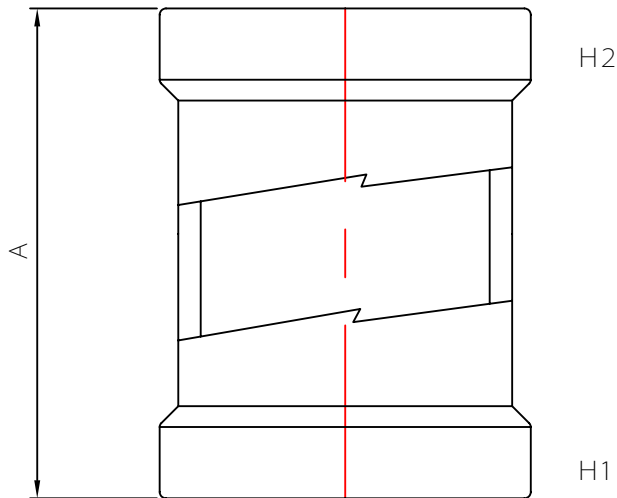


MULTI FITTINGS

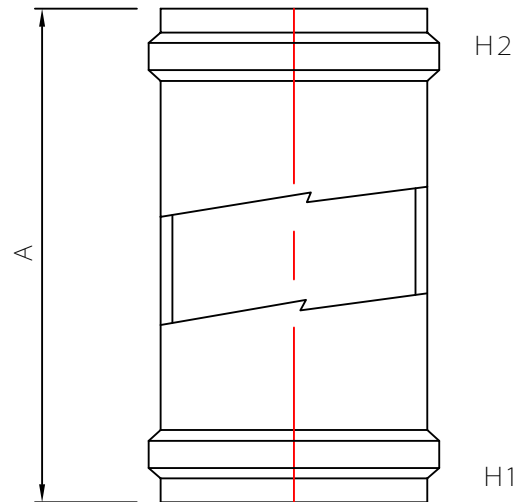
LAYING LENGTH

ISSUE DATE: 2017 11 30
SUPERCEDES: 2005 08 05

REPAIR COUPLING (BxB)



INJECTION MOLDED FITTING (M)



FABRICATED FITTING (F)

	SIZE H1xH2	PART NUMBER	A REF
M=	4x4	274029	8.125
M=	6x6	274030	10.750
M=	8x8	274031	13.500
F@	10x10	532674	-
F@	12x12	532675	-

Note: = Refer to Page C9S4 for Hub Detail
@ Refer to Page C9S5 for Hub Detail