

---

DISTRIBUTOR SELECT COLLECTION

# EMERGI-LITE

Full range of emergency lighting solutions



---

## Distributor Select products

---

Popular emergency lighting products are in stock and ready to ship from warehouses across North America for fast delivery.

- Deliver quickly with fast stock replenishment
- Easily specify the exact products you need from standard options
- Exceed your customers' expectations with a wide range of versatile emergency lighting solutions

# Table of contents

## Distributor Select

 <p><b>Radiance Series</b> 2-3</p>	 <p><b>EL-2RHL Series</b> 4-5</p>	 <p><b>Prestige™ Thin Die-Cast Series</b> 6</p>	 <p><b>Total™ Edge Series</b> 7</p>	 <p><b>EL-2LED Series</b> 8-9</p>
 <p><b>ELXN400 LED Series</b> 10-11</p>	 <p><b>EF43D Indoor Series</b> 11</p>	 <p><b>EF44D Outdoor Series</b> 11</p>	 <p><b>EL-2SQL LED</b> 12-13</p>	 <p><b>ELX400 SQL LED Series</b> 14-15</p>
 <p><b>ELX Remote Capable Exit Series</b> 16</p>	 <p><b>EF47DSQL Series</b> 17</p>	 <p><b>EF12D-LED Series</b> 17</p>	 <p><b>DLM-2 Series</b> 18</p>	 <p><b>GS Series</b> 19</p>

## Radiance Series

Low profile LED emergency lighting



### Housing

- Indoor/outdoor suitable for wet location
- Die-cast aluminum housing
- UV-resistant (3" x 1.5") polycarbonate lens

### Mounting

- Wall or ceiling mount
- 1/2" rigid conduit top entry
- Universal J-box mounting

### Lamp type

- 1600 lumens in AC mode 600 Lumens in emergency mode
- Color temperature: 5000K
- Dual-mode operation: normal and emergency LED lighting with separate AC inputs

### Electronics

- Pulse plus charger
- Low voltage disconnect
- Automatic brownout protection
- Battery lock-out
- Fused output circuit
- 120/277 60Hz
- AC unit rated for -13°F to 122°F (-25°C to 50°C)
- Dual mode unit rated for 5°F to 122°F (-15°C to 50°C)

### Approvals

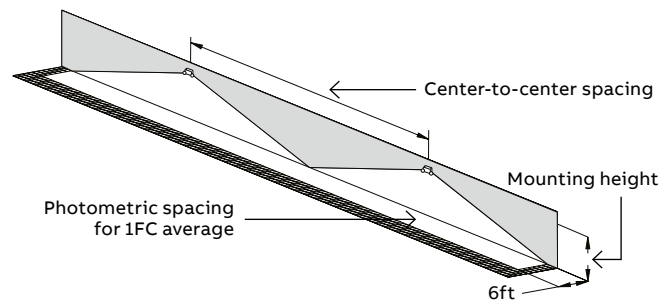
- UL 924 Listed
- NEMA-3R rated for indoor/outdoors cold-weather wet and damp locations
- Meets all NFPA 70, NFPA 101 life safety codes

### Warranty

- Unit has a three-year warranty  
Detailed warranty terms located on page 178 of the catalog or online at:  
[www.emergi-lite.com/usa/files/EL\\_Warranty.pdf](http://www.emergi-lite.com/usa/files/EL_Warranty.pdf)

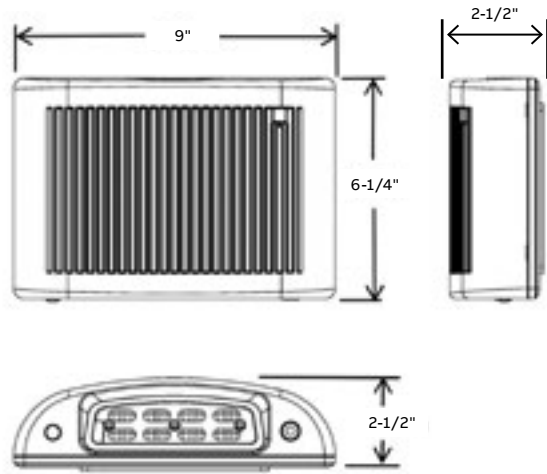
### Photometry performance

Spacing center-to-center (feet)	
Mounting height	Distance
7.5'	50'
10'	63'



**Dimensions**

Dimensions are approximate and subject to change.



**Power consumption and unit rating**

Model	Battery type	DC specs	AC Specs
		Voltage	Units dual voltage
AC	-	-	120/277
ACSD	Nickel-cadmium	7.2V	

**How to order**

Color	Series	Model	Options
<b>BZ</b> = Dark bronze	<b>RAD</b> = Radiance	<b>AC</b> = AC only <b>ACSD</b> = Dual-mode	<b>-CW</b> = Cold weather <sup>1</sup>

**Example: BZRADACSD-CW**

<sup>1</sup> Available on the ACSD version only

## EL-2RHL Series

High output lithium LED battery unit



### Housing

- UV stabilized thermoplastic body
- Two adjustable high output LED lighting heads
- White finish

### Mounting

- Wall or ceiling mount
- Universal J-box mounting

### Lamp type

- Two 9.6V-5.4W LED heads, 550 lumens per head

### Electronics

- Pulse plus charger
- Low voltage disconnect
- Automatic brownout protection
- Battery lock-out
- Fused output circuit
- Standard Advanced Diagnostics
- 120/277 60Hz

### Approvals

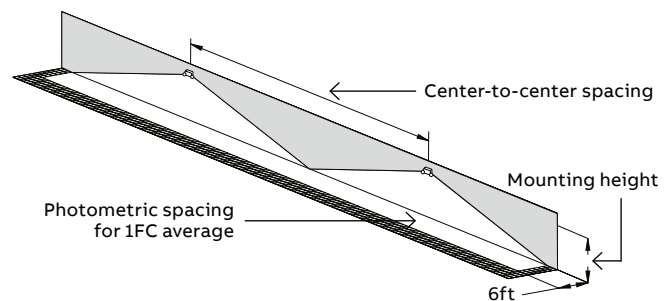
- UL 924 Listed
- Damp location (50°F to 104°F)
- UL 94, 5VA flame rated
- Circle BC meet CEC title 20

### Warranty

- Unit has a three-year warranty  
Detailed warranty terms located on page 178  
of the catalog or online at:  
[www.emergi-lite.com/usa/files/EL\\_Warranty.pdf](http://www.emergi-lite.com/usa/files/EL_Warranty.pdf)

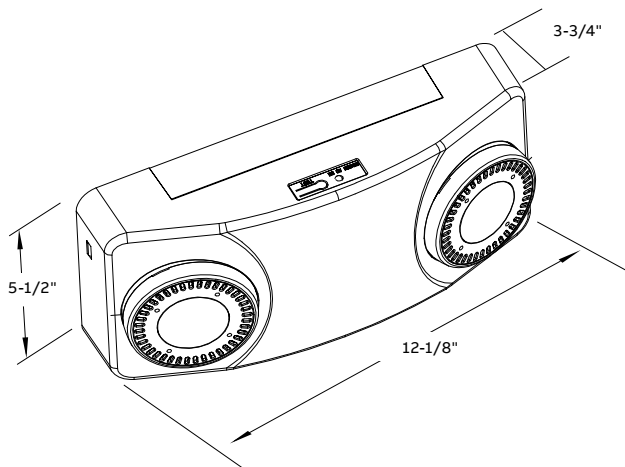
### Photometry performance

Spacing center-to-center (feet)	
Mounting height	6 ft spacing distance
7.5'	90'
10'	78'



**Dimensions**

Dimensions are approximate and subject to change.



**Power consumption and unit rating**

Model	Battery type	DC specs	AC Specs
		Voltage	Units dual voltage
EL-2RHL-AD	Lithium-ion battery	9.6	120-277

**How to order**

Series	Heads
EL	-2RHL-AD= Two round high output LED heads with Advanced Diagnostics

Example: EL-2RHL-AD

## Prestige™ Thin Die-Cast Series

Die-cast aluminum slim profile exit sign with long-lasting LED performance



### Construction

- Die-cast aluminum
- 6 inch EXIT lettering legend, available in red or green
- Choice of finishes: all white or black with brushed aluminum faceplate: Field-selectable chevrons

### Mounting

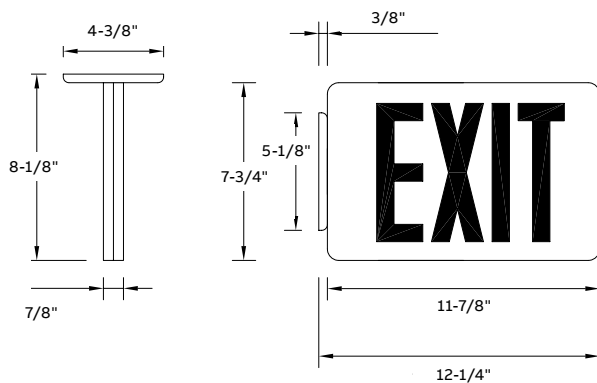
- Surface mount
- Canopy included for end or ceiling mount applications: Universal J-box mounting

### Type of battery

- Nickel-cadmium

### Dimensions

Dimensions are approximate and subject to change.



### Faceplate



White



Brushed aluminum

### Approvals

- UL 924 listed
- Damp location 50°F to 104°F (10°C to 40°F)
- Meets NFPA101 (Life Safety Code), NFPA 70-NEC and OSHA illumination standards

### Warranty (subject to proper installation and maintenance)

- Unit has a three-year warranty
- Detailed warranty terms located on page 178 or online at: [www.emergi-lite.com/usa/files/EL\\_Warranty.pdf](http://www.emergi-lite.com/usa/files/EL_Warranty.pdf)

### Power consumption

Model	AC specs		DC specs	
AC-only	120/277 VAC, 60Hz	Typical 1W	Less than 1.5W	-
Self-powered	120/277VAC, 60Hz	Typical 1W	Less than 1.5W	Ni-Cd battery 90 minutes

### Accessories (order as a separate item)

Description	Suffix
Wire guard (wall mount)	WG1-E
Wire guard (ceiling mount and end mount)	WG5-E

### How to order

Frame color/ Face plate	Series	No. of lamps	Legend color
BA= Black body/brushed aluminum face	TX= AC only	1= Single face	R= Red
WW= White/white	TXN= Self-powered unit (90 min.)	2= Double face	G= Green

Example: BATXN1R



## Total™ Edge Series

Single and double face, surface and recessed mount edge-lit exit sign



### Construction

- Extruded aluminum housing
- High grade acrylic panel
- 6 inch EXIT lettering legend, available in red or green:  
Field-selectable chevrons
- Satin aluminum housing

### Mounting

#### Universal mount model

- Pivoting panel design allows for recessed, surface, wall or ceiling mount installation
- A ratcheting mechanism allows the panel to be set in place from 0° to 180° for wall or sloped ceiling mounting
- Canopy included for surface wall, end or ceiling mount application
- Trim plate, 27 inch adjustable T-bar hangers and a junction box included for recessed application<sup>1</sup>

### Type of battery

- Nickel-cadmium

### Approvals

- UL 924 listed
- Damp location 50°F to 104°F (10°C to 40°F)
- Meets NFPA101 (Life Safety Code)  
NFPA 70-NEC and OSHA illumination standards

### Warranty (subject to proper installation and maintenance)

- Unit has a three-year warranty  
Detailed warranty terms located on page 178 or online at:  
[www.emergi-lite.com/usa/files/EL\\_Warranty.pdf](http://www.emergi-lite.com/usa/files/EL_Warranty.pdf)

<sup>1</sup>Not intended for closed ceilings such as plaster and sheetrock.

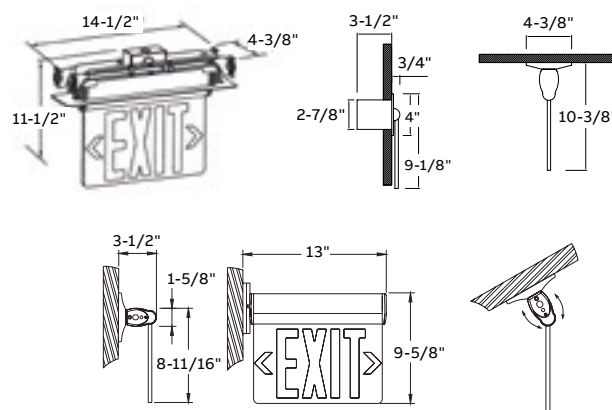
### Accessories (order as a separate item)

Description	Suffix
Battery	850.0107-E
Pendant white	P*WT
Pendant black	P*BK
Pendant adapter <sup>1</sup>	081886-E

<sup>1</sup>Required for pendant installation

### Dimensions

Dimensions are approximate and subject to change.



### Power consumption

Model	AC specs		DC specs	
AC only	120VAC, 60Hz	2.0-2.6W	-	-
	277VAC, 60Hz	2.6-3.1W	-	-
Red	Self-powered	120VAC, 60Hz	2.0-2.6W	Ni-Cd battery Min. 90 minutes
		277VAC, 60Hz	2.6-3.1W	Ni-Cd battery Min. 90 minutes
AC only	120VAC, 60Hz	2.8-3.3W	-	-
	277VAC, 60Hz	3.5-4W	-	-
Green	Self-powered	120VAC, 60Hz	2.8-3.3W	Ni-Cd battery Min. 90 minutes
		277VAC, 60Hz	3.5-4W	Ni-Cd battery Min. 90 minutes

### How to order

Series	Color	Legend
PA= AC Only	R= Red on mirror	6= 6" EXIT single and
PN= Self-powered	G= Green on mirror	double face with
PA2= AC only dual circuit		universal chevrons

**Example: PAR6**

## EL-2LED Series

Low energy, low maintenance emergency lighting for moderate budget applications



**ESCORT II**



### Construction

- UV stabilized thermoplastic body
- Fully adjustable Cluster™ LED glare-free heads
- Choice of white or black housing

### Mounting

- Ceiling or wall mount
- Universal J-box mounting

### Lamp type

- White LED 3.6V-1.8W each, 70 lumens per head

### Electronics

- Pulse plus charger
- Low voltage disconnect
- Automatic brownout protection
- Battery lock-out installation
- Fused output circuit
- Optional Advanced Diagnostics
- 120/277 60Hz

### Sealed maintenance-free battery

- 3.6V nickel-cadmium battery

### Approvals

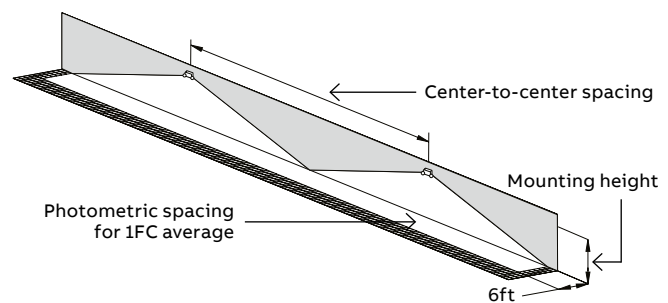
- UL 924 listed
- Damp location 50°F to 104°F (10°C to 40°F)
- UL 94, 5VA flame rated (68°F to 86°F, 20°C to 30°C)
- EL-2LED is circle BC to meet CEC. Title 20

### Warranty (subject to proper installation and maintenance)

- Unit has a three-year warranty
- Detailed warranty terms located on page 178 or online at:  
[www.emergi-lite.com/usa/files/EL\\_Warranty.pdf](http://www.emergi-lite.com/usa/files/EL_Warranty.pdf)

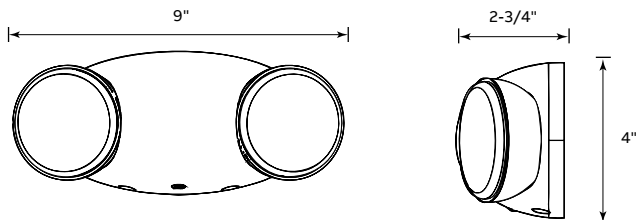
### Photometric performance

Spacing center-to-center (feet)	
7' mounting height	15' mounting height
15'	4'



**Dimensions**

Dimensions are approximate and subject to change.



**Power consumption**

Model	Current (A) / Power (W) 120/277VAC, 60Hz
EL-2LED	0.103/0.10A
EL-2LEDR	0.13/0.16A
EL-2LEDR-AD	0.058/0.029A

**Accessories** (order as a separate item)

Description	Suffix
Wire guard wall mount	WG1-E
Wire guard ceiling mount	WG9-E
Battery	850.0110-E

**How to order**

Color	Series	Lamp option	Options
Blank= White B= Black	EL	-2LED= round LED array	Blank= No option R= 3.6W remote capacity to power one double head remote <sup>1</sup> R-AD= 3.6W remote capacity to power one double head dedicated remote with Advanced-Diagnostics <sup>1</sup>

Example: EL-2LEDR

<sup>1</sup>Remote capacity can only be used to power the EF43D or EF44D remote fixtures or to extend the battery units emergency run time beyond the standard 90 minutes.

## ELXN400 LED Series

Low energy and low maintenance for moderate budget application



### Housing

- UV stabilized thermoplastic body
- Fully adjustable Cluster™ LED glare-free heads
- 6 inch EXIT lettering legend, available in red or green
- Field selectable chevrons

### Mounting

- Surface mount
- Canopy included for ceiling mount applications
- Universal J-box mounting finishes

### Type of battery

- 3.6V nickel-cadmium battery

### Lamp head source

- White LED 3.6V-1.8W each

### Electronics

- Optional Advanced Diagnostics
- 120/277 60Hz

### Approvals

- UL 924 listed
- Damp location 50°F to 104°F (10°C to 40°F)
- UL 94, 5VA flame rated

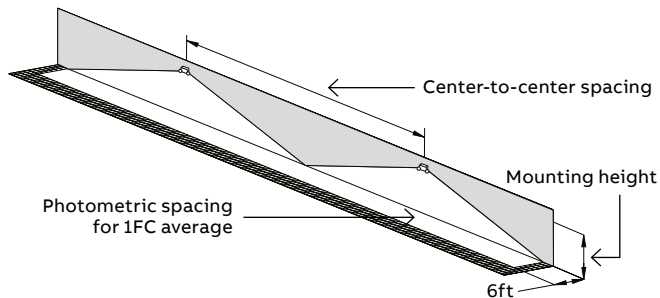
### Warranty (subject to proper installation and maintenance)

- Unit has a three-year warranty
- Detailed warranty terms located on page 178 or online at:  
[www.emergi-lite.com/usa/files/EL\\_Warranty.pdf](http://www.emergi-lite.com/usa/files/EL_Warranty.pdf)

DISTRIBUTOR SELECT

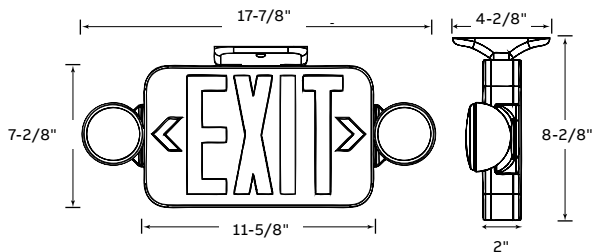
### Photometric performance

Spacing center-to-center (feet)	
7' mounting height	15' mounting height
15'	4'



### Dimensions

Dimensions are approximate and subject to change.



**Power consumption**

Model	Current (A) / Power (W) 120/277VAC, 60Hz
ELXN400R-2LED	0.044/0.017A
ELXN400G-2LED	0.032/0.015A
ELXN400R-2LEDR	0.037/4.06A
ELXN400G-2LEDR	0.036/3.8A
ELXN400R_2LEDR-AD	0.038/0.017A
ELXN400G_2LEDR-AD	0.038/0.017A

**How to order**

Series	Legend color	Lamp	Options	Color
ELXN400= ELX Combo Series	R= Red exit G= Green exit	-2LED= Round LED array	Blank= No option R= 3.6W remote capacity to power one double head remote <sup>1</sup> R-AD= 3.6W remote capacity to power one double head dedicated remote with Advanced-Diagnostics <sup>1</sup>	Blank= White B= Black

Example: ELXN400R-2LED

<sup>1</sup>Remote capacity can only be used to power the EF43D or EF44D remote fixtures or to extend the battery units emergency run time beyond the standard 90 minutes.

**Accessories** (order as a separate item)

Description	Suffix
Wire guard	WG10-E
Battery	850.0110-E
Pendant white	P*WT
Pendant black	P*BK
Pendant adapter <sup>1</sup>	081886-E

<sup>1</sup>Required for pendant installation

**EF43D & EF44D Series**

Low energy and low maintenance for moderate budget application



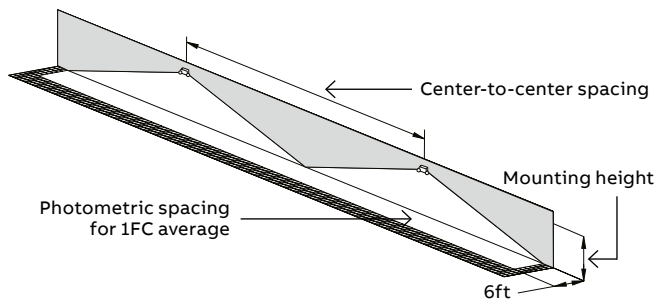
**The Cluster™ LED EF43D-LED or EF44D-LEDWP**

The Cluster™ LED EF43D-LED or EF44D-LEDWP Remote head can ONLY be powered from the ELXN400 LED series combo or EL-2LED battery units of the same family. Used for internal or external applications, the indoor remote head draws 3.6V-3.6W and Weather-Proof head draws 3.6V-3.8W.



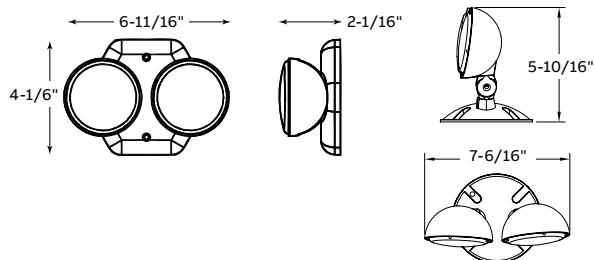
**Photometric performance**

Spacing center-to-center (feet)	15'
7' mounting height	4'
15' mounting height	15'



**Dimensions**

Dimensions are approximate and subject to change.



**How to order**

Series	# of lamps	Lamp	Option
EF43= Indoor series	D= 2	-LED= round LED array	Blank= Indoor remote
EF44= Outdoor weather-proof series			WP= Outdoor weather proof remote

Example: EF43D-LED

## EL-2SQL LED Series

1W LED heads, thermoplastic 3.6V nickel-cadmium battery unit



### Housing

- UV stabilized thermoplastic body
- Two fully adjustable glare-free square lighting heads
- White finish

### Mounting

- Ceiling or wall mount
- Universal J-box mounting

### Lamp type

Two 3.6V-1W LED heads, 100 lumens per head

### Options

- Remote capacity for EF12D-LED or EF47DSQL available with optional

### Electronics

- Pulse plus charger
- Low voltage disconnect
- Automatic brownout protection
- Battery lock-out
- Fused output circuit
- Optional Advanced Diagnostics
- 120/277 60Hz

### Battery type

- 3.6V maintenance free rechargeable nickel-cadmium battery

### Approvals

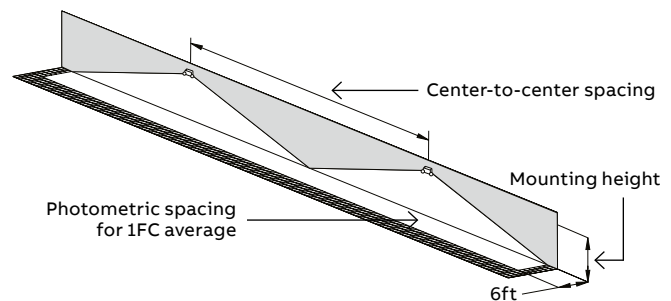
- UL 924 listed
- Damp location (50°F to 104°F)
- UL 94, 5VA flame rated

### Warranty (subject to proper installation and maintenance)

- Unit has a three-year warranty
- Detailed warranty terms located on page 178 or online at:  
[www.emergi-lite.com/usa/files/EL\\_Warranty.pdf](http://www.emergi-lite.com/usa/files/EL_Warranty.pdf)

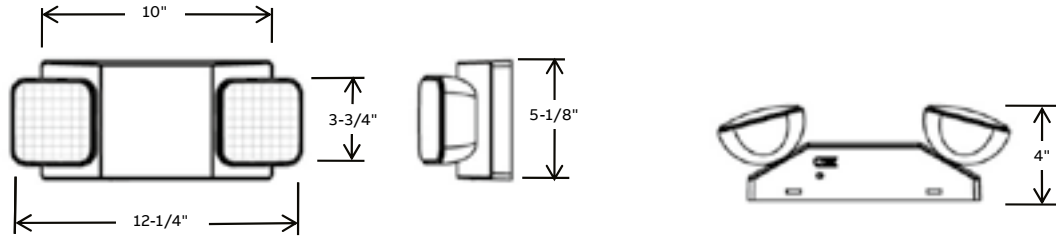
### Photometric performance

Spacing center-to-center (feet)	
7' mounting height	15' mounting height
13'	4'



**Dimensions**

Dimensions are approximate and subject to change.



**Power consumption**

Series	AC specs		DC specs	
	Units dual voltage <sup>1</sup>		Battery	Voltage
EL-2SQL	120/277 VAC, 60Hz	0.024A	Nickel-cadmium battery	3.6V
EL-2SQLR	120/277 VAC, 60Hz	0.028A		
EL-2SQLRAD	120/277VAC, 60Hz	0.028A		

**Accessories** (order as a separate item)

Description	Suffix
Replacement battery for EL-2SQL	022433-E
Replacement battery for EL-2SQLR & EL-SSQLRAD	2 X 022433-E
Wire guard (heads in any position)	WG10-EG
Pendant black	P*BK
Pendant white	P*WT

**How to order**

Series	Head style	Option
EL= Self-powered	-2SQL	<b>Blank</b> = No option <b>R</b> = Remote capacity to power one double head remote <sup>1</sup> <b>R-AD</b> = Remote capacity to power one double head dedicated remote with Advanced-Diagnostics <sup>1</sup>

**Example: EL-2SQLAD**

<sup>1</sup>To be used with EF47DSQL or EF12D-LED only

## ELX400 SQL LED Series

Combination unit with tool-less field-adjustable heads to accommodate top mount requirements



### Construction

- UV stabilized thermoplastic body
- Fully adjustable Square LED glare-free heads
- 6 inch EXIT lettering legend, available in red or green
- Field selectable chevrons

### Mounting

- Surface mount
- Canopy included for ceiling mount applications / end mount
- Universal J-box mounting

### Finishes

- White

### Remote capacity/combination units

- ELXN400-2SQLR and ELXN400-2SQLRAD feature a 3.6V Ni-Cd battery with two 1W LED heads attached as well as 3W of remote capacity for EF12D-LED or EF47DSQL

### Lamp head source

- 3.6V-1W LED head
- Lamp heads are fully adjustable to top or side with no tools required.
- 100 lumens per head

### Electronics

- Optional Advanced Diagnostics
- 120/277 60Hz

### Approvals

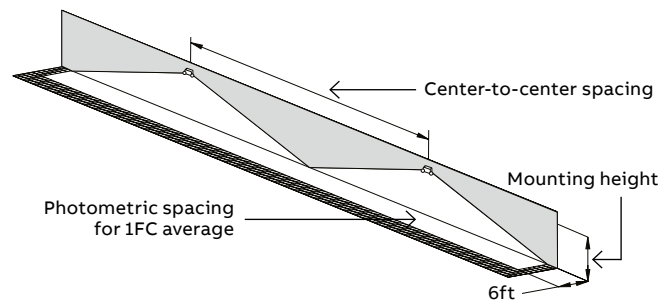
- UL 924 listed
- Damp location 50°F to 104°F (10°C to 40°F)
- UL 94, 5VA flame rated

### Warranty (subject to proper installation and maintenance)

- Unit has a three-year warranty
- Detailed warranty terms located on page 178 or online at: [www.emergi-lite.com/usa/files/EL\\_Warranty.pdf](http://www.emergi-lite.com/usa/files/EL_Warranty.pdf)

### Photometric performance

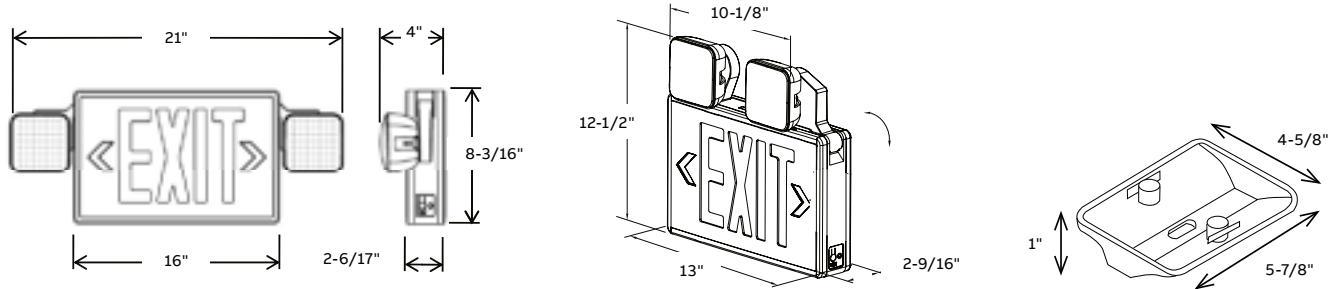
Spacing center-to-center (feet)	
7 ft. mounting height	15 ft. mounting height
13'	4'





**Dimensions**

Dimensions are approximate and subject to change.



**Power consumption**

Description
120/277VAC, 60Hz, 0.048A

**Accessories** (order as a separate item)

Description	Suffix
Wire guard (heads in any position)	WG10-E
Replacement battery for ELXN400-2SQL	022434-E
Replacement battery ELXN400-2SQLR	022435-E
Replacement battery ELXN400-2SQLRAD	022435-E

**How to order**

Series	Legend	Heads	Options
ELXN400= ELX Combo Series	R= Red G= Green	-2SQL= 1WLED	<b>Blank</b> = No option <b>R</b> = Remote capacity to power one double head remote <sup>1</sup> <b>R-AD</b> = Remote capacity to power one double head dedicated remote with Advanced-Diagnostics <sup>1</sup>

Example: ELXN400R-2SQLR-AD

<sup>1</sup>To be used with EF47DSQL or EF12D-LED only

## ELX Remote Capable Exit Series

Economical, thermoplastic LED exit sign



### Construction

- UV stabilized thermoplastic body
- 6 inch exit lettering legend, available in red or green
- Field selectable chevrons

### Mounting

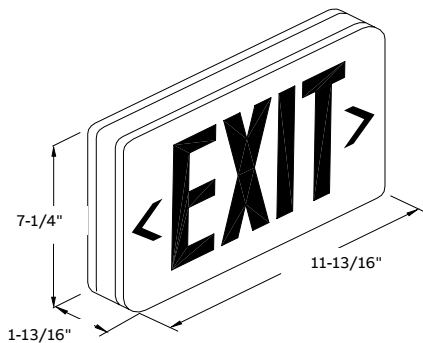
- Surface mount
- Canopy included for end or ceiling mount applications
- Universal J-box mounting

### Finishes

- White

### Dimensions

Dimensions are approximate and subject to change.



### Electronics

- Optional Advanced Diagnostics
- 120/277 60Hz

### Approvals

- UL 924 listed
- Damp location 50°F to 104°F (10°C to 40°F)
- UL 94, 5VA flame rated

### Warranty (subject to proper installation and maintenance)

- Unit has a three-year warranty
- Detailed warranty terms located on page 178 or online at:  
[www.emergi-lite.com/usa/files/EL\\_Warranty.pdf](http://www.emergi-lite.com/usa/files/EL_Warranty.pdf)

### Power consumption

Description
120/277VAC, 60Hz maximum 2.5W

### Accessories (order as a separate item)

Description	Suffix
Wire guard (wall mount)	WG1-E
Wire guard (ceiling mount and end mount)	WG5-E
Battery	850.0106-E
Pendant white	P*WT

### How to order

Series	Legend color	Options
ELX400= AC only	RN= Red	Blank= No options
ELXN400= Self powered	GN= Green	-AD= Advanced Diagnostics
		-RAD= Advanced Diagnostics with 3.6V-3.6W remote capacity <sup>1</sup>

Example: ELXN400RN-RAD

<sup>1</sup>Available with red legend only, compatible with EF47DSQL or EF12D-LED

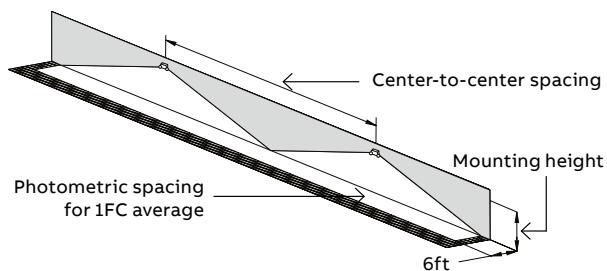
## EF47DSQL Series

Thermoplastic square LED  
Indoor remote heads



### Photometric performance

Lamp	Spacing center-to-center (feet)	
	7' mounting height	15' mounting height
EF47	13'	4'



### Features

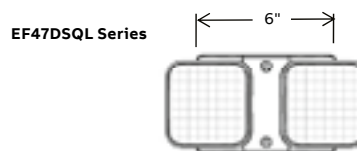
- Thermoplastic dual head remote
- LED 3.6V, 2W total
- 6000K LED color
- Wall or ceiling mount
- Damp location 50°F to 104°F (10°C to 40°F)
- UL 924 listed

### Warranty (subject to proper installation and maintenance)

- Unit has a three-year warranty
- Detailed warranty terms located on page 178 or online at: [www.emergi-lite.com/usa/files/EL\\_Warranty.pdf](http://www.emergi-lite.com/usa/files/EL_Warranty.pdf)

### Dimensions

Dimensions are approximate and subject to change.



### How to order – EF47DSQL Series

Series	No. of lamp	Options
EF47	D= Double head	SQL= Thermoplastic square LED head

Example: EF47DSQL

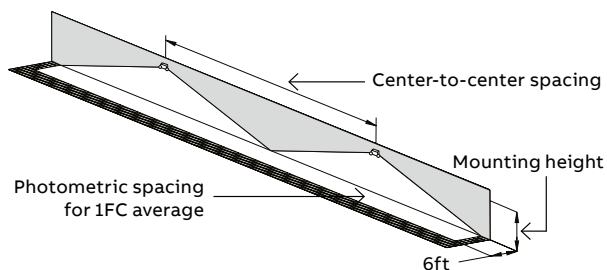
## EF12D-LED Series

Thermoplastic square LED  
Outdoor remote heads



### Photometric performance

Lamp	Spacing center-to-center (feet)	
	7' mounting height	15' mounting height
EF12	13'	4'



### Features

- Multi-volt 3.6, 6 or 12V, 3W in total
- Thermoplastic housing and aluminum canopy with fully adjustable LED heads
- Available only in gray 2-heads configuration
- Suitable for outdoor, wet location applications
- Wall or ceiling mount
- -4°F to 122°F
- UL 924 Listed

### Warranty (subject to proper installation and maintenance)

- Unit has a three-year warranty
- Detailed warranty terms located on page 178 or online at: [www.emergi-lite.com/usa/files/EL\\_Warranty.pdf](http://www.emergi-lite.com/usa/files/EL_Warranty.pdf)

### Dimensions

Dimensions are approximate and subject to change.



### How to order – EF12D-LED Series

Series	# of lamp	Options
EF12	Blank= Single head D= Double head	-LED= Thermoplastic square LED head

Example: EF12D-LED

## DLM-2 Series

Thermoplastic housing 6V-12W capacity lead-calcium battery unit



### Housing

- UV stabilized thermoplastic body
- White housing

### Mounting

- Ceiling or wall mount
- Universal J-box mounting

### Lamp Type

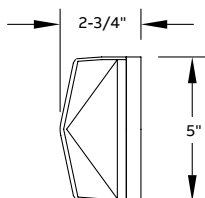
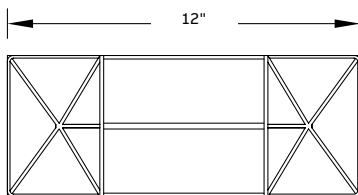
- 5.4W high intensity wedge base incandescent lamps

### Electronics

- Pulse plus charger
- Low voltage disconnect
- Automatic brownout protection
- Battery lock-out
- Fused output circuit
- 120/277 60Hz

### Dimensions

Dimensions are approximate and subject to change.



### Sealed maintenance-free battery

- 6V lead calcium battery

### Approvals

- UL 924 listed
- Damp location 50°F to 104°F (10°C to 40°F)
- UL 94, 5VA flame rated

### Warranty (subject to proper installation and maintenance)

- Unit has a three-year warranty
- Detailed warranty terms located on page 178 or online at:  
[www.emergi-lite.com/usa/files/EL\\_Warranty.pdf](http://www.emergi-lite.com/usa/files/EL_Warranty.pdf)

### Power consumption

Series	Batt. type	DC voltage	Battery capacity in watts				Units dual current	
			1-1/2 hrs	2 hrs	3 hrs	4 hrs	Voltage <sup>1</sup>	Max.
DLM-2	Lead-calcium	6V	12	-	-	-	120VAC 277VAC	08A .04A

<sup>1</sup>Stand-by power consumption is 50% lower for lead-calcium batteries.

### Accessories (order as a separate item)

Description	Suffix
Wire guard	WG1-E
Battery	860.0004-E

### How to order

#### Series

DLM-2= DLM-2 battery-powered emergency lighting

Example: DLM-2

## GS Series

### 6 Volt Recessed Down Light



#### Housing

- Low profile polycarbonate white trim
- Fully recessed steel backbox

#### Mounting

- Ceiling or wall recessed mount

#### Lamp Type

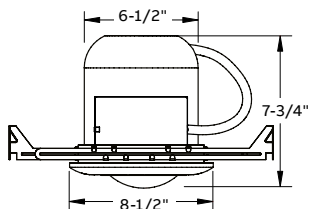
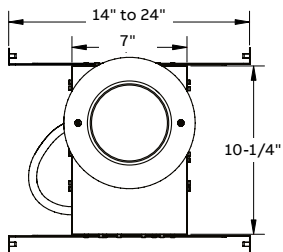
- 6V 10 watt wedge-base incandescent lamp

#### Electronics

- Pulse plus charger
- Low voltage disconnect
- Automatic brownout protection
- Battery lock-out
- Fused output circuit
- 120/277 60Hz

#### Dimensions

Dimensions are approximate and subject to change.



#### Sealed maintenance-free battery

- 6V lead-calcium battery

#### Approvals

- UL 924 listed

#### Warranty (subject to proper installation and maintenance)

- Unit has a three-year warranty
- Detailed warranty terms located at:  
[www.emergi-lite.com/usa/files/EL\\_Warranty.pdf](http://www.emergi-lite.com/usa/files/EL_Warranty.pdf)

#### Power consumption

Sealed maintenance-free battery types	D.C. voltage	Model number	Battery capacity in watts				Units dual voltage <sup>1</sup>	A.C. Current max.
			1-1/2 hrs	2 hrs	3 hrs	4 hrs		
Lead-calcium	6	GSM10-BH	10	8	-	-	120VAC	.3A

<sup>1</sup>Stand-by power consumption is 50% lower for lead-calcium batteries.

#### Accessories (order as a separate item)

Description	Suffix
Remote test switch (metal face plate)	RTS
Remote test switch (plastic face plate)	RTS-1

#### How to order

Color	Series	Battery type	Lamp option	Mounting option
Blank= White	GS= Series	M10= 10W lead-calcium	Wedge base 9W standard	BH= Bar hanger (standard)

Example: GSM10BH







---

**Emergi-Lite**

Please consult our website for more information:

**[emergi-lite.com](http://emergi-lite.com)**

All information and specifications contained in this brochure are subject to change due to engineer design, errors and omissions. Illustrations and diagrams within this brochure may vary from actual products.

© Copyright 2018 ABB. All rights reserved.

Printed in Canada 12/18/500 Order no. EL-US-DIST-FLYER

