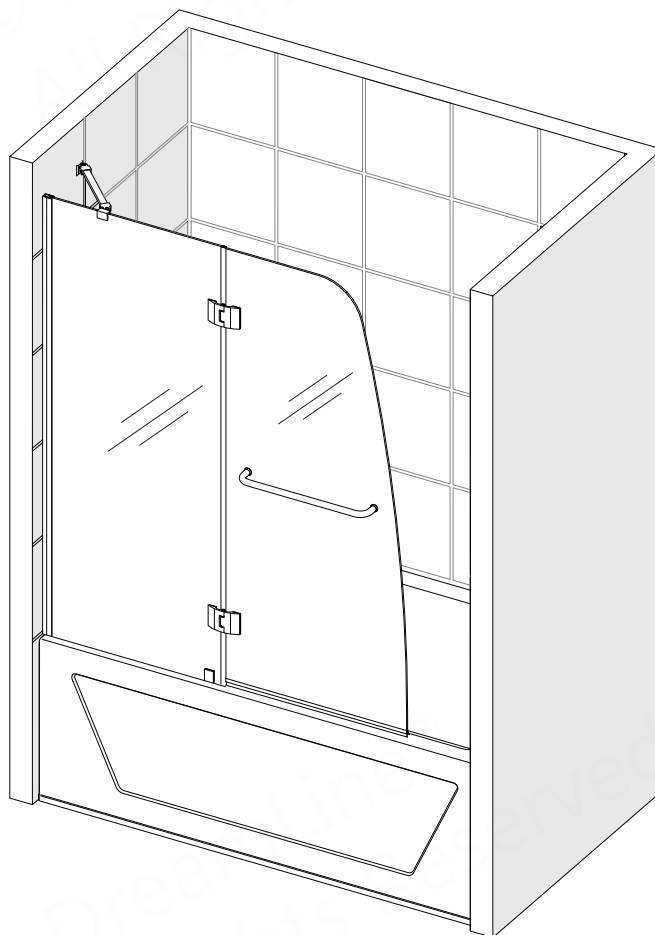


AQUA

TUB DOOR INSTALLATION INSTRUCTIONS

PLEASE REVIEW THIS ENTIRE MANUAL PRIOR TO INSTALLATION



SHDR-3148586-##

= finish

01 - Chrome

04 - Brushed Nickel

06 - Oil Rubbed Bronze

09 - Satin Black

Left-swing door installation shown

IMPORTANT!

DreamLine[®] reserves the right to alter, modify or redesign products at any time without prior notice for the purpose of product improvement and customer experience. Please refer to the model's web page on **DreamLine.com** for the latest technical drawings, installation manuals, warranty information or additional product details.

Do Not Return Product to the Store. Contact DreamLine[®] with any questions



Questions?

Please Call **DreamLine** Customer Support: **1-866-731-2244**
Hours of Operation M-F 8AM - 6PM EST

Support@DreamLine.com





Record the following purchase information for your records or in the event you need to contact DreamLine®:

Purchase Order
Number _____

Store/Vendor
Purchased From _____

Installation Date _____

OD Number
(optional) _____
located on the shipping box or label
if available.

Installed By: _____

SKU Number _____

Table of Contents

Section Title	Page #
Warnings and General Preparation	2
Model Specific Preparation	3
Adjustable Wall Profile System	4
Tools	5
Detailed Diagram of Aqua Tub Door Components	6
Parts List	7-8
Installation Steps	9-23
Support Bar Installation	16,17
Glass-to-Glass Hinge Assembly Installation	19,20
Towel Bar / Handle Installation	21
Vinyl Seals Installation	22
Glass to Glass Hinge Adjustment Procedure	24
Product Maintenance	25
Troubleshooting	26
Factory Parts Information	27
Pages for Notes	28, 29

Symbol Legend



TIP - for ease of installation.



CORRECT - recommended.



NOTE - take note of special feature; additional information.

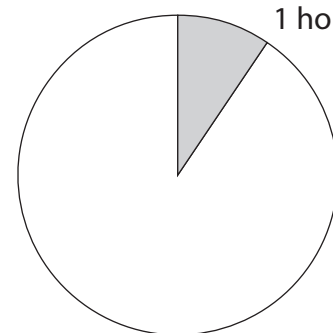


INCORRECT - not recommended.



REQUIRED - requires special attention; signifies a warning.

Average Installation Time





IMPORTANT

- DreamLine® reserves the right to alter, modify or redesign products any time without prior notice for product improvement and customer experience. Please refer to the model's web page on DreamLine.com for the latest technical drawings, installation manuals, warranty information or additional product details.
- This product should be installed by someone familiar with the construction requirements for this type of project and the care necessary for the safe installation and operation of the product.
- The safety of any installation is the responsibility of the installer.
- Professional installation recommended. (*All Models*)
- Professional installation required. (*Enigma Series*)
- To prevent damage or serious injury, Do Not lean against the installed panel/door/glass.
- To prevent damage or serious injury: Do Not attempt to lift or move a heavy lite of glass alone. Use an assistant and/or a professional grade glass suction cup.
- The installation of some models may require drilling down into the threshold. Contact the manufacturer of the base, tub, or threshold material with any questions regarding the drilling of holes into their product.
- All drawings in this installation manual are for illustrative purposes only and are not drawn to scale.

TEMPERED GLASS WARNING

- Your Shower Door Glass Could Shatter Without Warning if Improperly Installed or Mishandled
- Do Not install or operate a shower door if the glass has chipped corners, slivered edges or is otherwise damaged and/or has been dropped or banged into a hard surface such as tile, marble or glass.
- **The main causes of tempered glass breakage are:**
 - Improper handling, storage or installation
 - Misuse/abuse
 - Lack of maintenance
 - Failure to replace damaged glass
 - **Improper handling during storage, unpacking and installation:**
 - Corners and edges are the most susceptible area to damage on a lite of tempered glass and should be protected and handled with care during storage, unpacking, installation and operation. A concentrated point of pressure or impact with a surface harder than itself may cause the tempered glass to shatter. The tempered glass may release immediately, within several hours or even days later.
 - **Incorrect installation of door hardware, rollers, hinges, channels, stopper or glass:**
 - Improper installation may include: loose hardware and/or lack of proper gaskets between the hardware and glass. Additionally, improper alignment of guide rails, wall profiles or other hardware during installation or operation may place stress on the glass edges and cause it to break.
 - This product must be installed by a professional and experienced installer familiar with the safe handling of tempered glass.
 - **Improper use of this product:**
 - Aggressively opening or closing the door may cause trauma to the glass, which can lead to breakage. This may occur immediately or hours or even days later.
 - **The shower door hardware and glass should be inspected periodically:**
 - Instruct the homeowner how to perform a periodic inspection of the shower hardware and glass - some minor adjustments may be necessary based upon the use (or misuse) of the shower door. Ensure that the hardware remains tight and that the door alignment and operation are correct. Any adjustments should be made upon discovery to prevent damage to the product.
 - Additional considerations should be given to the installation of frameless tempered glass products in households with young children or an elderly person due to an increased chance of improper handling. In such cases, alternatives such as shower curtains or grab bars should be considered.

GENERAL PREPARATION

- After opening all boxes and packages, read this introduction carefully. Check that all the items are included in the package by marking off the components on the “**Detailed Diagram of Product Components**” page. Examine all boxes and packages for shipping damage. If the unit has been damaged, has a finishing defect, or is missing parts; please contact our Customer Support department within 3 business days of the delivery date. **Please note that DreamLine® will not replace any damaged products or missing parts free of charge after 3 business days or if the product has been installed.** Please contact DreamLine® if you have any questions.
- **Please note that you should refer to your local building codes with questions on installation compliance standards. Building and plumbing codes may vary by location, and DreamLine® is not responsible for code compliance standards for your project and will not accept any returns.**
- If this unit is going to be installed in a new construction, install all the required plumbing and drainage before installing the shower. **Use a competent and licensed (if required by local code) plumber for all plumbing installation.**
- Make sure that prior to beginning the installation, the surfaces are leveled and solid and will be able to support the total weight of the unit. Also make sure the walls are at right angles. Irregular installation surface level, radius corners or improper angle of side walls will result in serious problems for your installation. Please note that some adjustments and drilling will be necessary during the installation process.
- Protect all primary surfaces of the product during installation. Never set your glass down directly onto a tile floor. Leave corner protectors in place until it is necessary to remove them. Always use a piece of wood or cardboard to protect the bottom edge and corners of the glass prior to and during installation.
- This unit must be installed upon a finished threshold and against finished walls.
- *DreamLine® shower doors are not designed to be installed into a fiberglass surround due to the radius corners and lack of a solid surface to mount the hardware.*

WARNING: TO AVOID THE RISK OF DAMAGE OR INJURY:

- **Follow all recommendations and requirements as shown in the installation instructions.**
- Perform a thorough inspection of the glass and all parts for any damage prior to installation. Any damage to tempered glass can cause breakage. **Do Not install damaged glass!**
- Do Not install or operate a shower or tub door if the glass has chipped corners, slivered edges or is otherwise damaged. Do Not install or operate a shower or tub door that has been dropped or banged into a hard surface such as tile, marble or glass.
- **CAUTION:** Contact with any hard surface can damage tempered glass and cause it to shatter.
- This product uses tempered glass. Glass cannot be cut after it has been tempered. **Do Not attempt to cut tempered glass.**
- DreamLine® Glass Shower doors, Tub doors, Inline panels, and Return panels can shatter due to improper handling or lack of maintenance. Conduct periodic inspections of glass and all parts for possible damage, missing or loose parts.
- Always wear proper safety equipment such as: safety goggles, work gloves and appropriate footwear during the installation process.
- **WARNING. Risk of leakage and/or damage.** Follow all instructions regarding the application of silicone sealant or caulk. Allow 24 hours for the sealant to cure before the initial use of the shower or tub product. Follow the silicone manufacturer's recommendations regarding the use of their product.
- **Thoroughly read these instructions before installing or using this product.**
- **Leave this manual for the end-user of the product.**



This product should be installed by someone familiar with the construction requirements for this type of project and the care necessary for the safe installation and operation of the product.



Professional Installation recommended

Model Specific Preparation

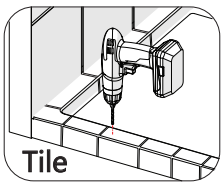
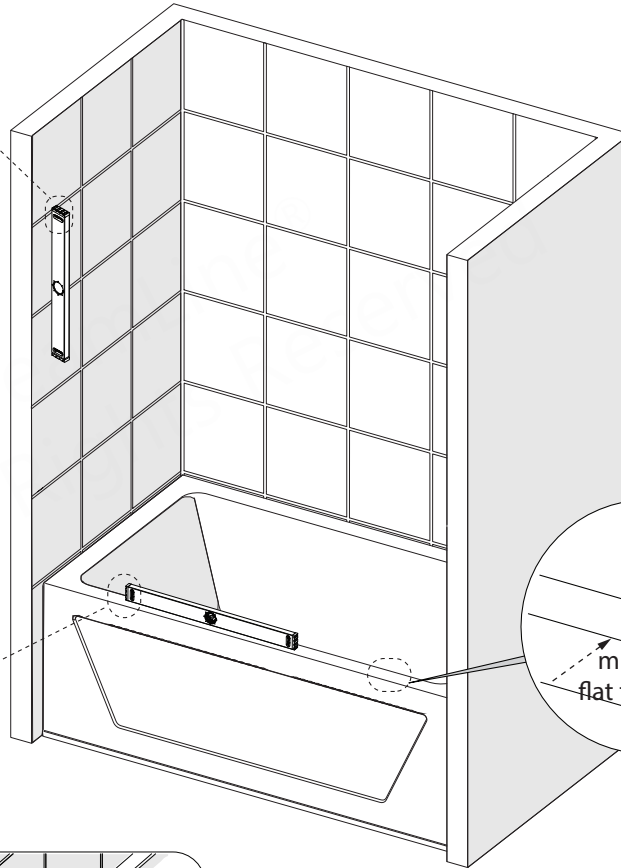
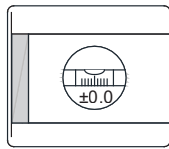
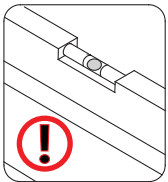
! REQUIRED:

3/8" Out-of-Plumb Adjustment at Wall Profile. DO NOT EXCEED this amount.

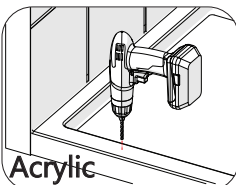


Verify tub deck and walls with a level

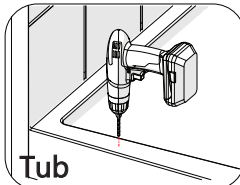
Threshold must be level



Tile



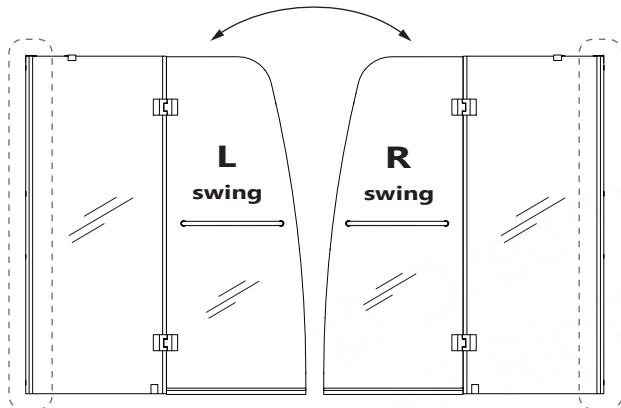
Acrylic



Tub

NOTE

Contact the manufacturer of the base, tub or threshold material with any questions regarding the drilling of holes into their product.



DO NOT attach the towel bar to the door glass until instructed.

DO NOT use the towel bar to lift the glass during installation. This may result in damage to the glass and/or serious injury. Always use an assistant or a professional grade glass suction cup when handling heavy glass.

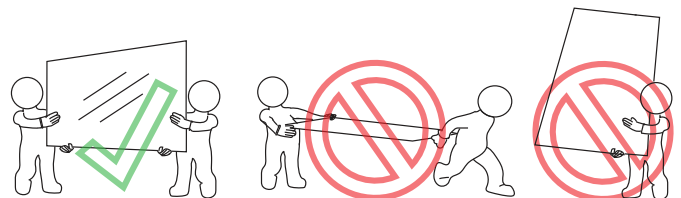
NOTE: The Towel Bar is NOT a grab bar.

NOTE

This model is reversible for right or left swing door installation. The left swing door installation is shown as an example throughout this manual. For the right swing door installation, simply begin on the opposite wall and reverse the orientation of the installation steps shown.

NOTE

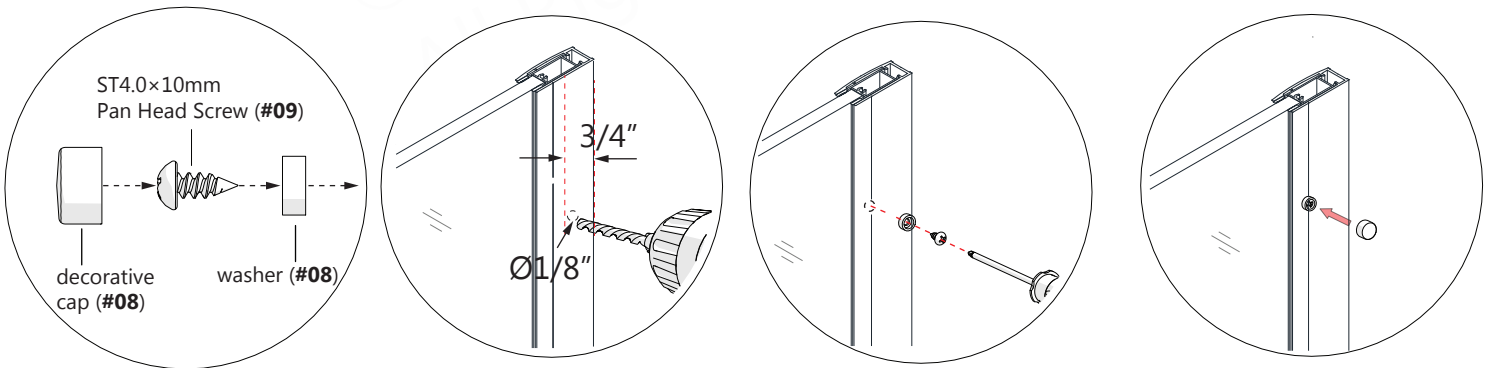
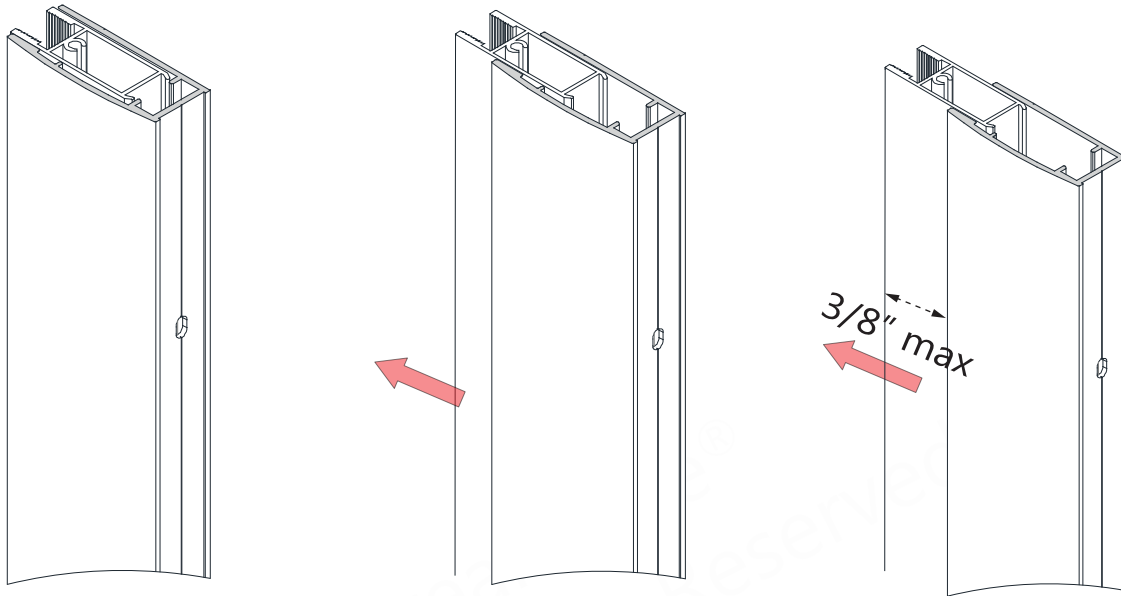
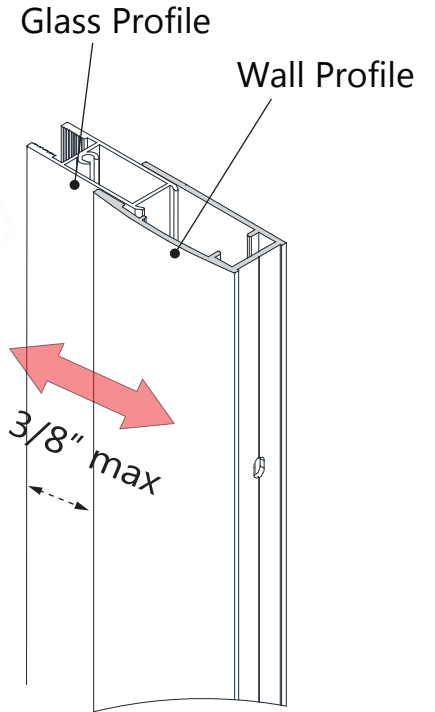
Professional installation with two installers is recommended for this product.



Adjustable Wall Profile System



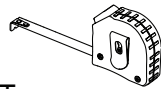
The Glass Profiles can be adjusted within the Wall Profiles for overall width or to correct for out-of-plumb conditions within the model size. Screw them together after making final adjustments.



Tools



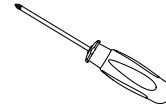
Level



Tape Measure



Pencil



#2 Phillips Screwdriver



Power Drill



Drill Bit
Ø1/8"
(3mm)



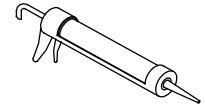
Drill Bit
Ø5/16"
(8mm)



Razor Knife



Rubber Mallet



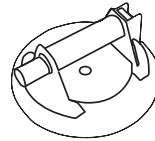
100% Silicone*



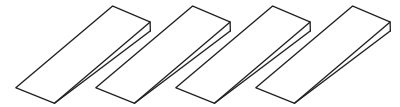
Safety Glasses



Work Gloves



Professional-grade
Glass Suction Cup
(Optional but recommended)



Wood or Plastic
Shims



Verify that the correct model size has been ordered; measure the finished opening **before** proceeding with the installation.

Confirm that the finished walls are plumb and the threshold is level and pitched into the shower area.

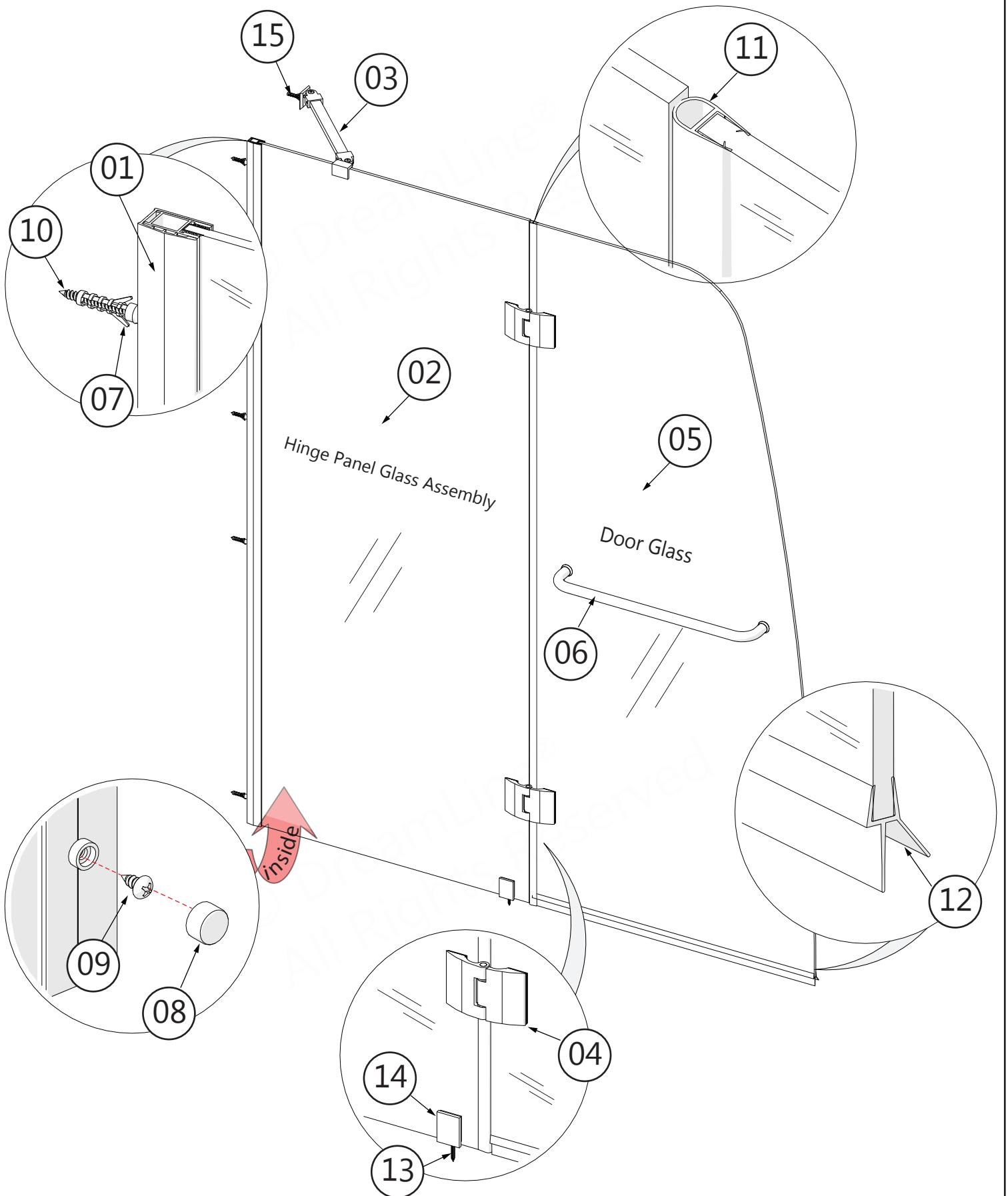
Cover the shower/tub drain with tape prior to installation to prevent the loss of screws or small parts.

Use a type of drill bit that is appropriate for drilling into the finished surface material.

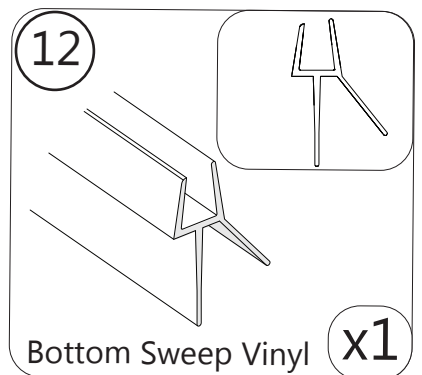
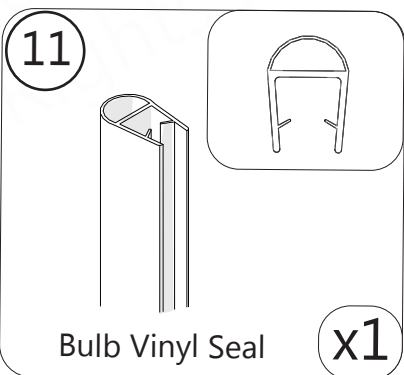
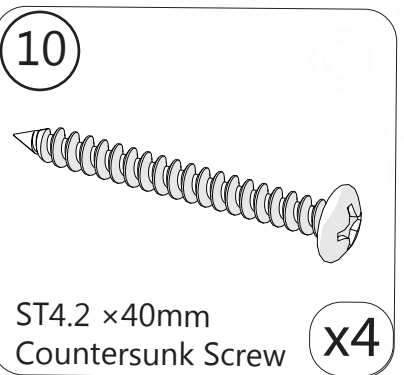
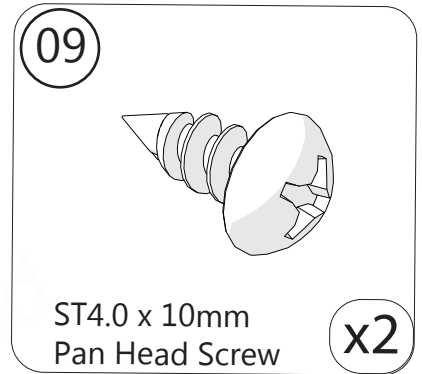
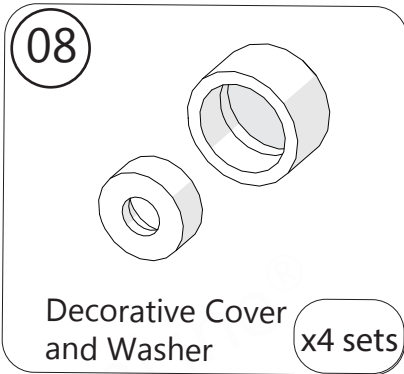
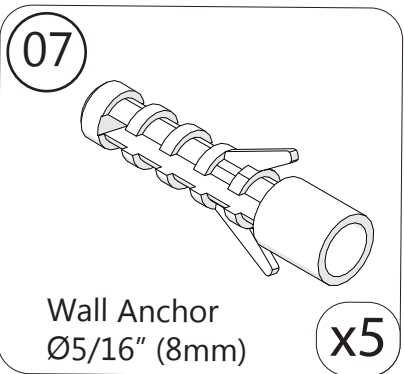
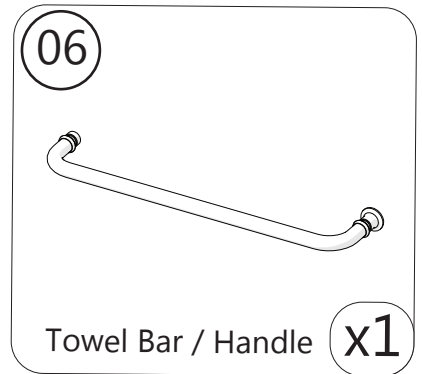
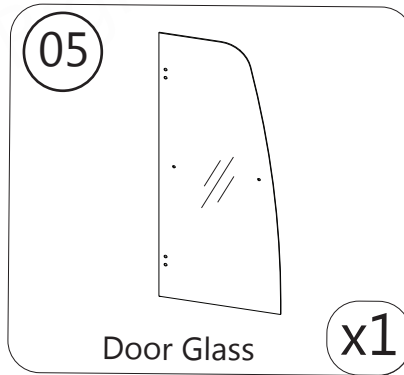
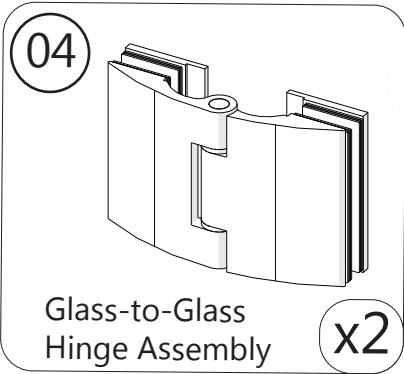
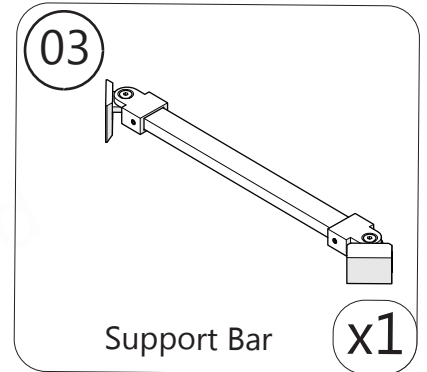
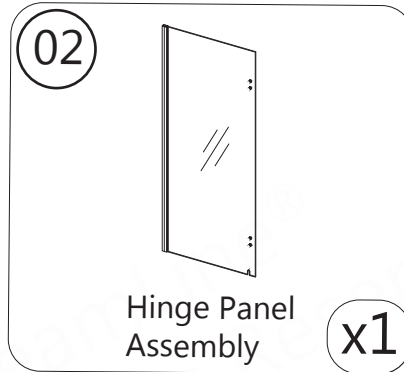
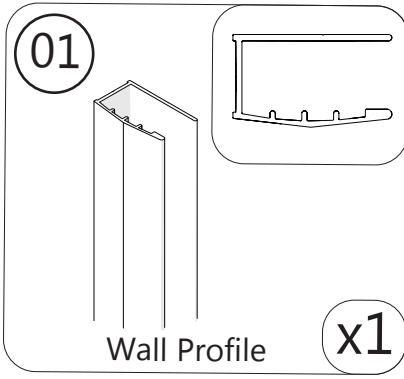


Unpack your unit carefully and inspect it. Lay it out and identify all parts using the Detailed Diagram on page 6; and packing list in this manual as a reference. Before discarding the carton, check for small hardware bags that may have fallen to the bottom of the box. If any parts are damaged or missing, please contact DreamLine® for replacement. The shipping boxes may contain extra parts not used in your model configuration. Retain these installation instructions for future reference.

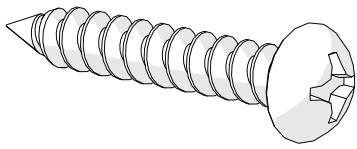
Detailed Diagram of AQUA Tub Door Components



Parts List



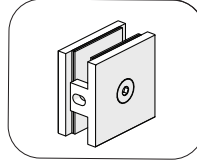
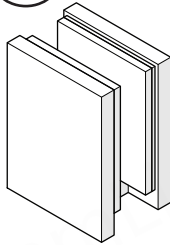
13



ST4.0 x 25mm
Pan Head Screw

x1

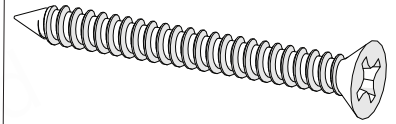
14



Bottom Bracket

x1

15



ST4.2 x 40mm Flat
Head Countersunk
Screw

x1

1

Hinge Panel Glass

NOTE

Remove the wrapped **Wall Profile (#01)** from the **Hinge Panel Assembly (#02)**. Remove the protective plastic and prepare the **Wall Profile** for installation. **Fig 1**

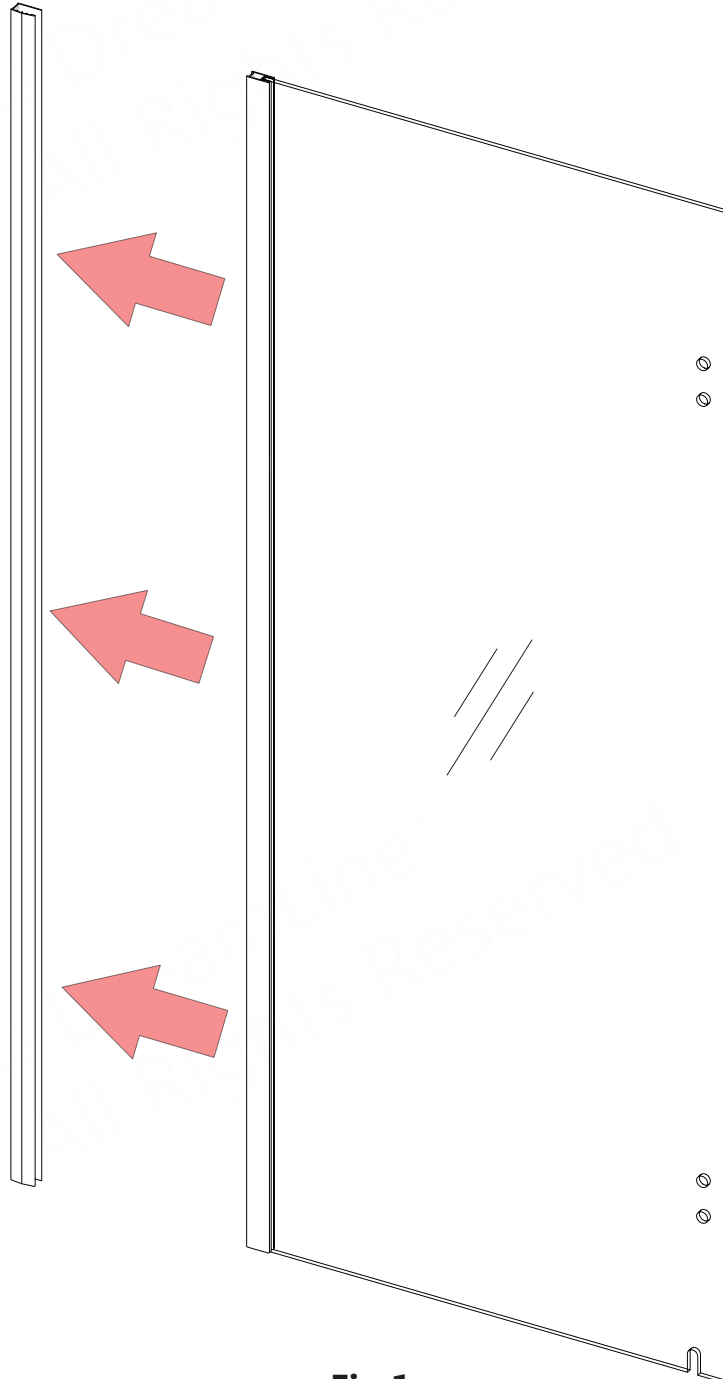
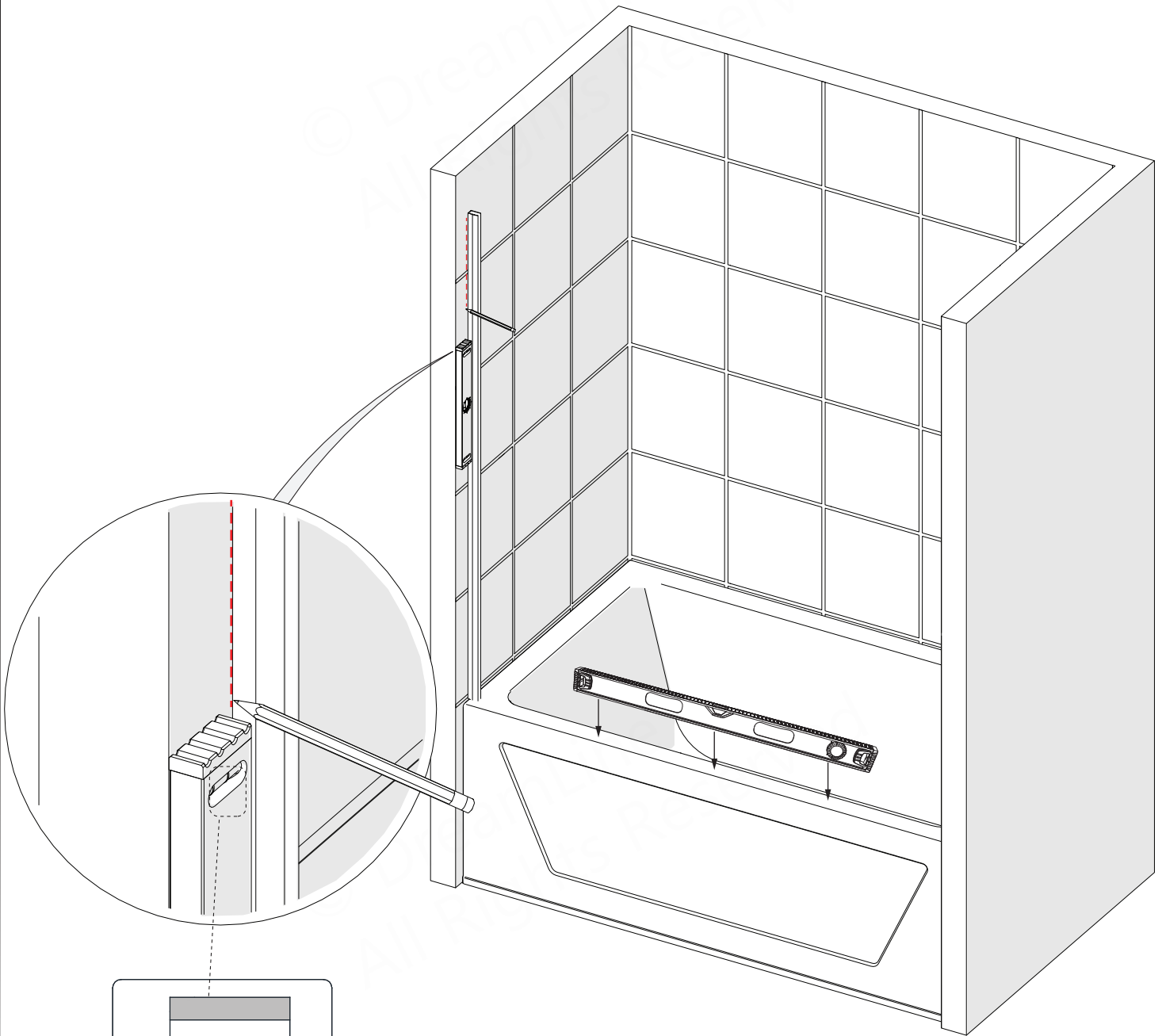
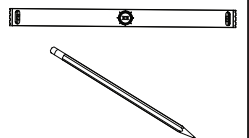


Fig 1

Installation Steps

NOTE

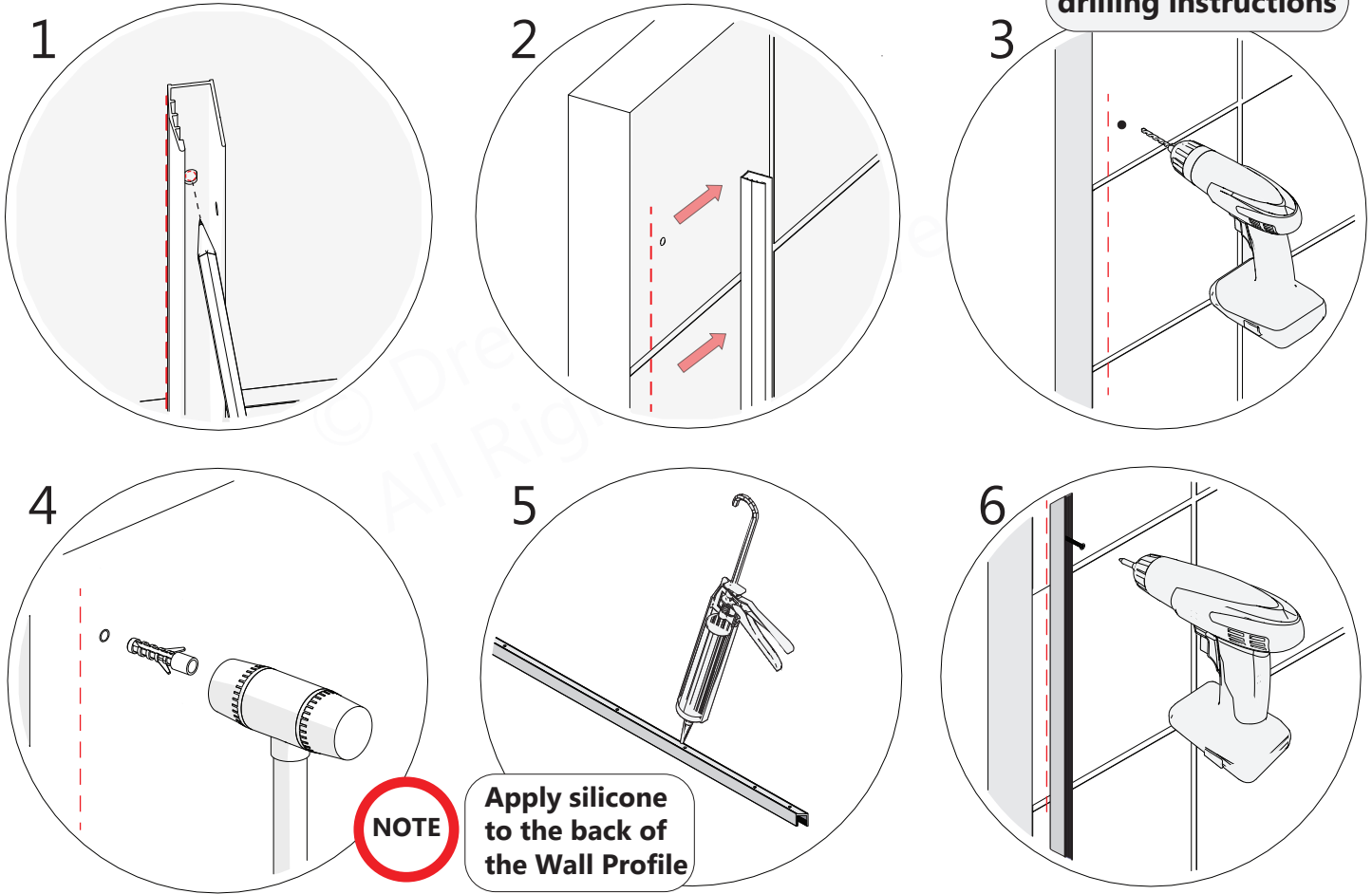
Use a level to confirm that the wall the door will be installed on is plumb and that the threshold/tub deck is level. Place the **Wall Profile (#01)** at the desired position on the wall and use a 4-foot level to bring it to plumb. Mark the holes for drilling through the holes in the **Wall Profile**. **Fig 2**

**Fig 2****Tools Needed**

3

Installing the Wall Profile

See note below for drilling instructions



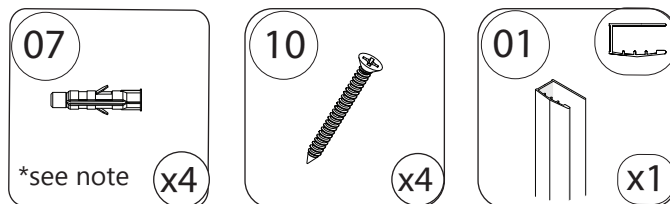
NOTE Apply silicone to the back of the Wall Profile

Fig 3

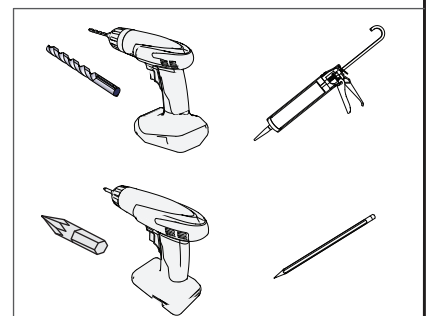
NOTE

▪ **If a Stud is present behind the wall:**
 drill a $\text{Ø}3/16''$ (4mm) hole up to the stud,
 drill an $\text{Ø}1/8''$ (3mm) pilot hole into the stud and use
 the **ST4.2 x 40mm Countersunk Screws (#10)**
OR
 ***If No Stud is present behind the wall:**
 drill $\text{Ø}5/16''$ (7mm) holes, insert **Wall Anchors (#07)**
 and use the **ST4.2 x 40mm Countersunk Screws (#10)**.

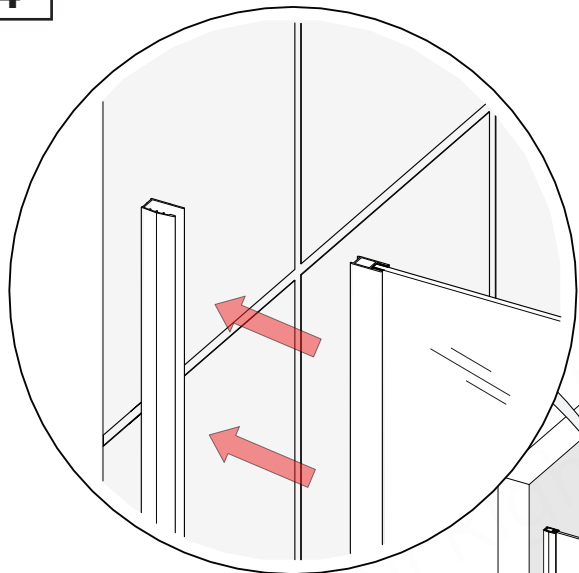
Parts Needed



Tools Needed



4



NOTE

Slide the **Hinge Panel Glass Assembly (#02)** into the installed **Wall Profile (#01)**.

NOTE

The **Hinge Panel Assembly** can be adjusted within the **Wall Profile** at this point to correct for slight out-of-plumb conditions. The maximum adjustment amount is $3/8$ ".

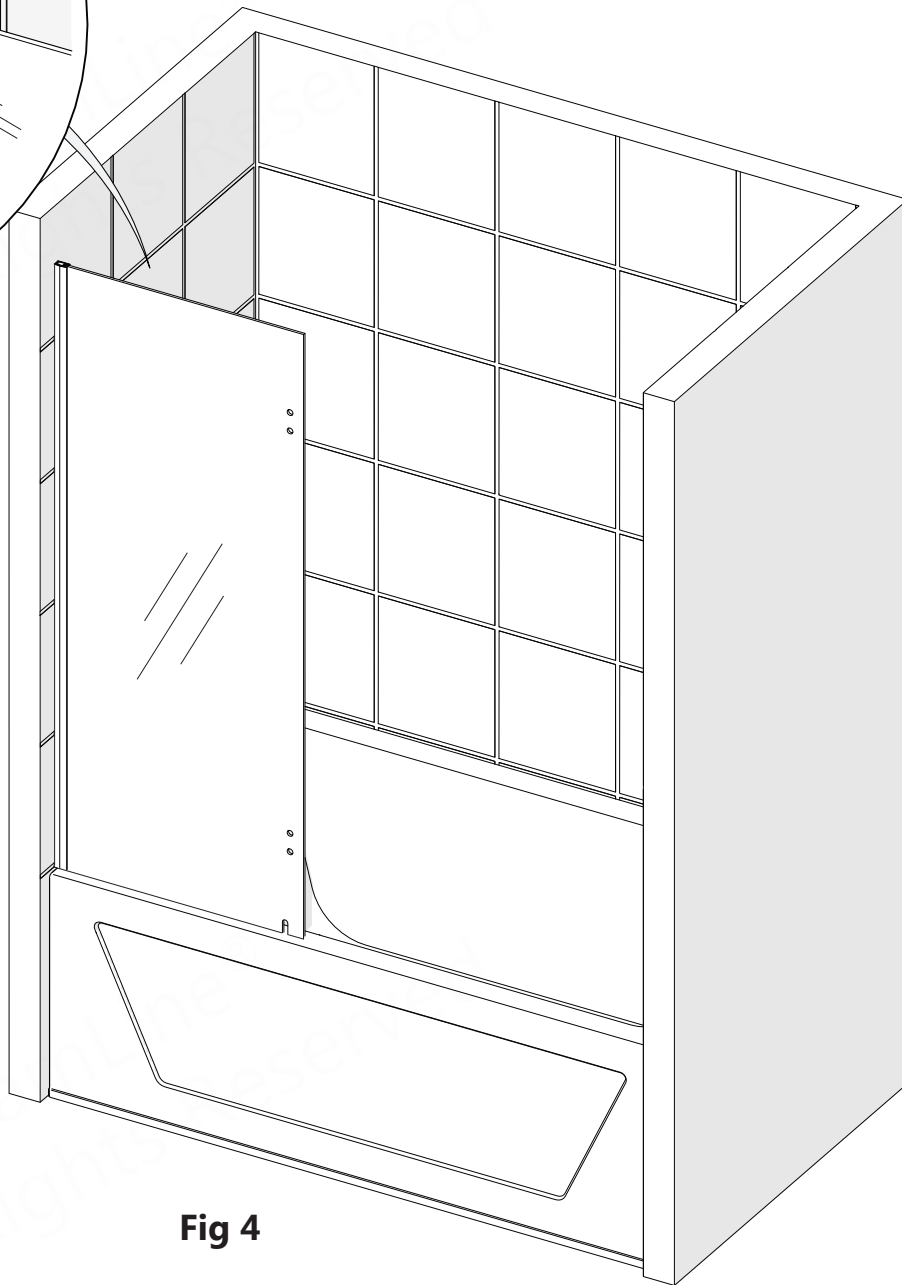
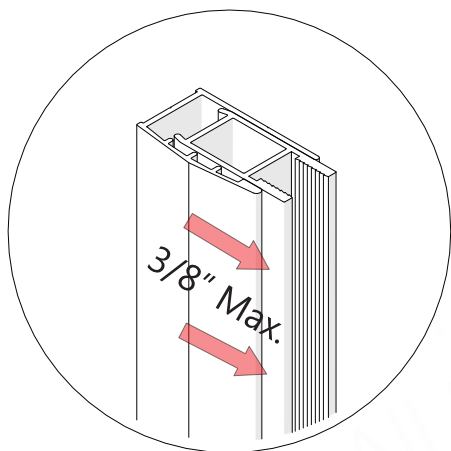
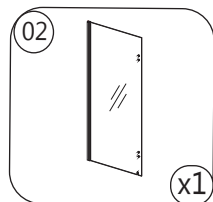


Fig 4

Parts Needed



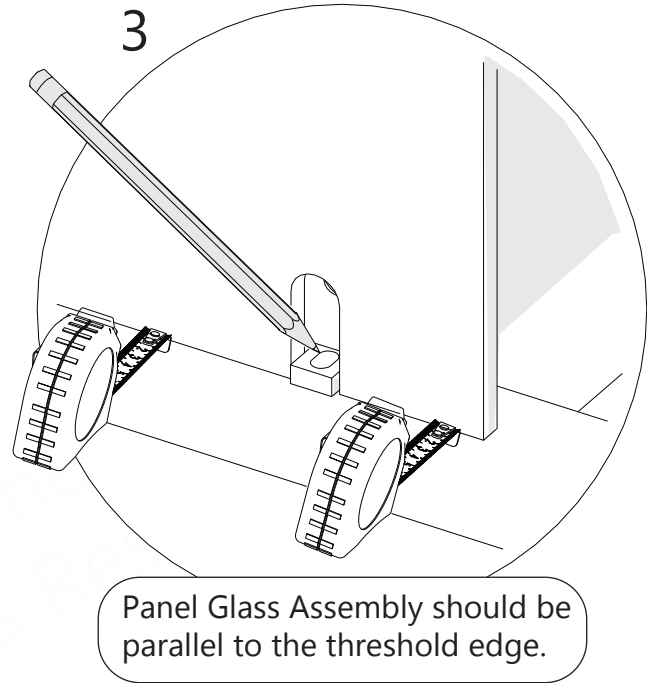
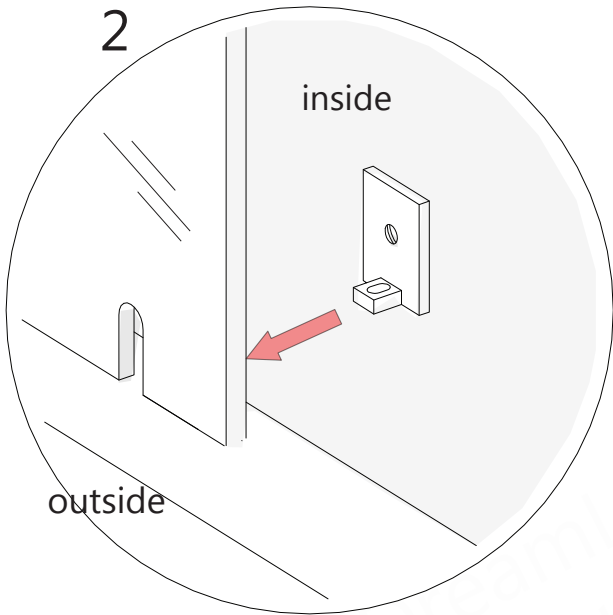
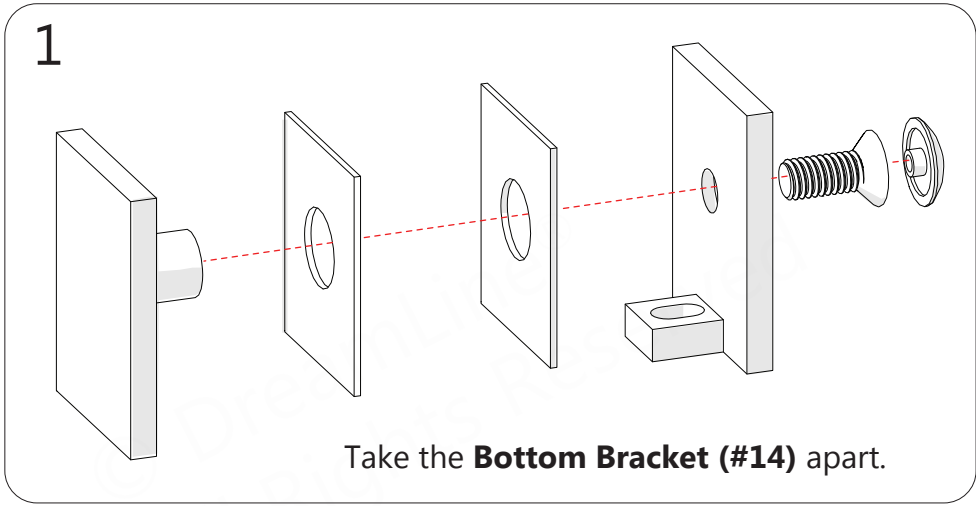
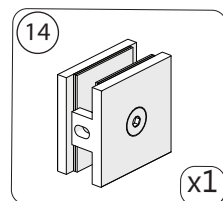
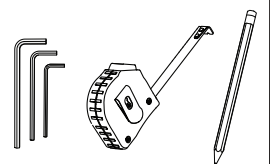


Fig 5

Parts Needed



Tools Needed



6

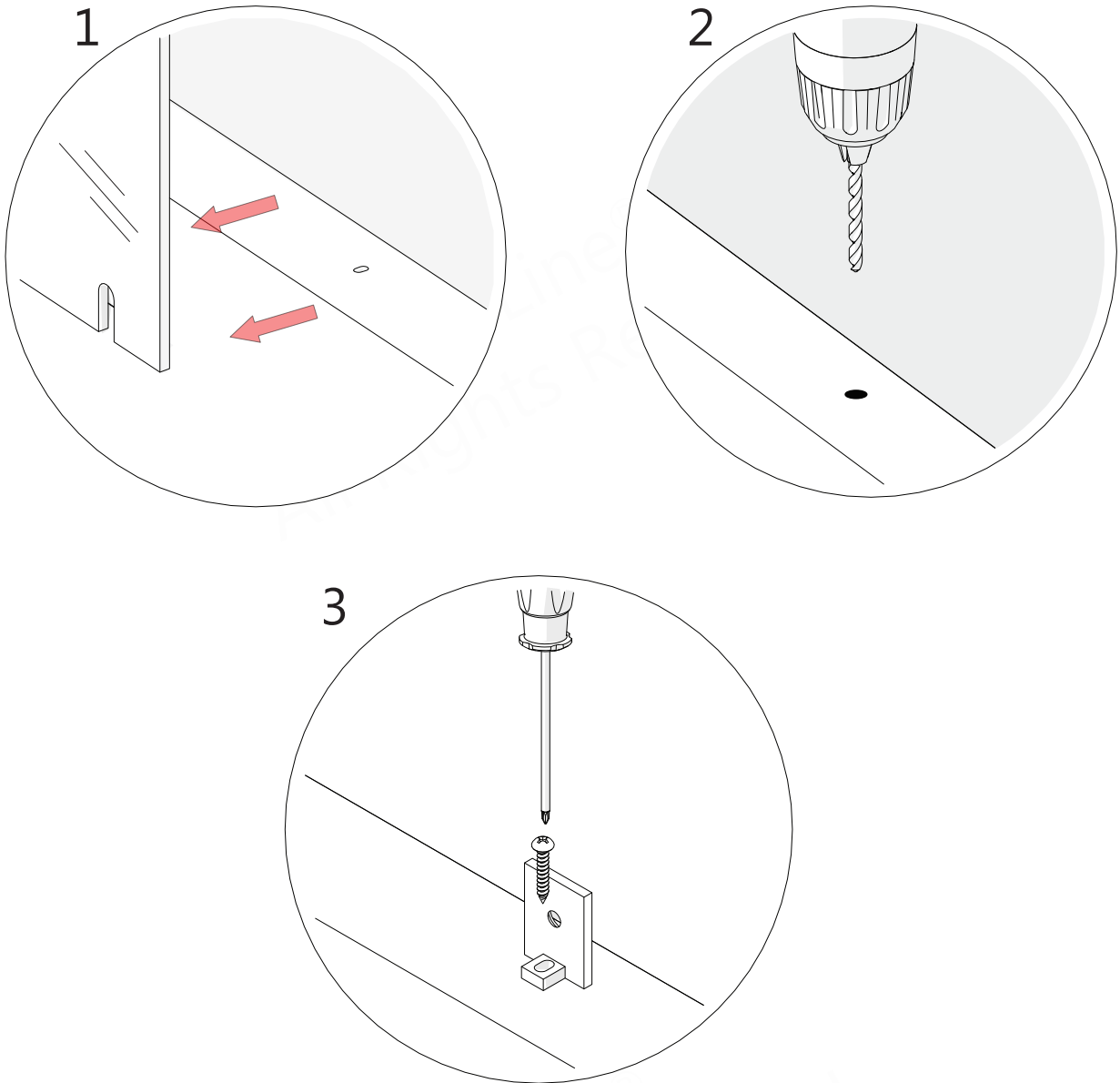


Fig 6

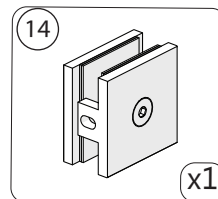
NOTE

▪ For installation into an **Acrylic Threshold:**
drill a **Ø1/8" (3mm)** hole and use the **ST4.2 x 25mm Pan Head Screws (#13)**

OR

▪ For installation into a **Tile Threshold:**
drill a **Ø3/16" (4mm)** hole to the stud, drill an **Ø1/8" (3mm)** pilot hole into the stud and use the **ST4.2 x 25mm Pan Head Screws (#13)**.

Parts Needed



Tools Needed



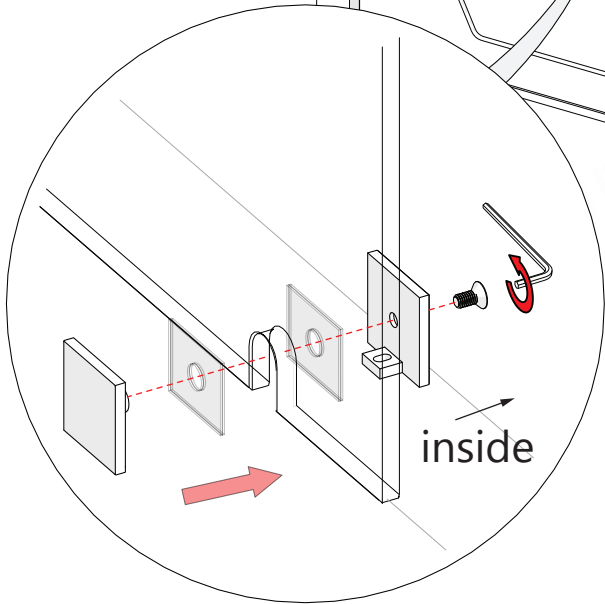
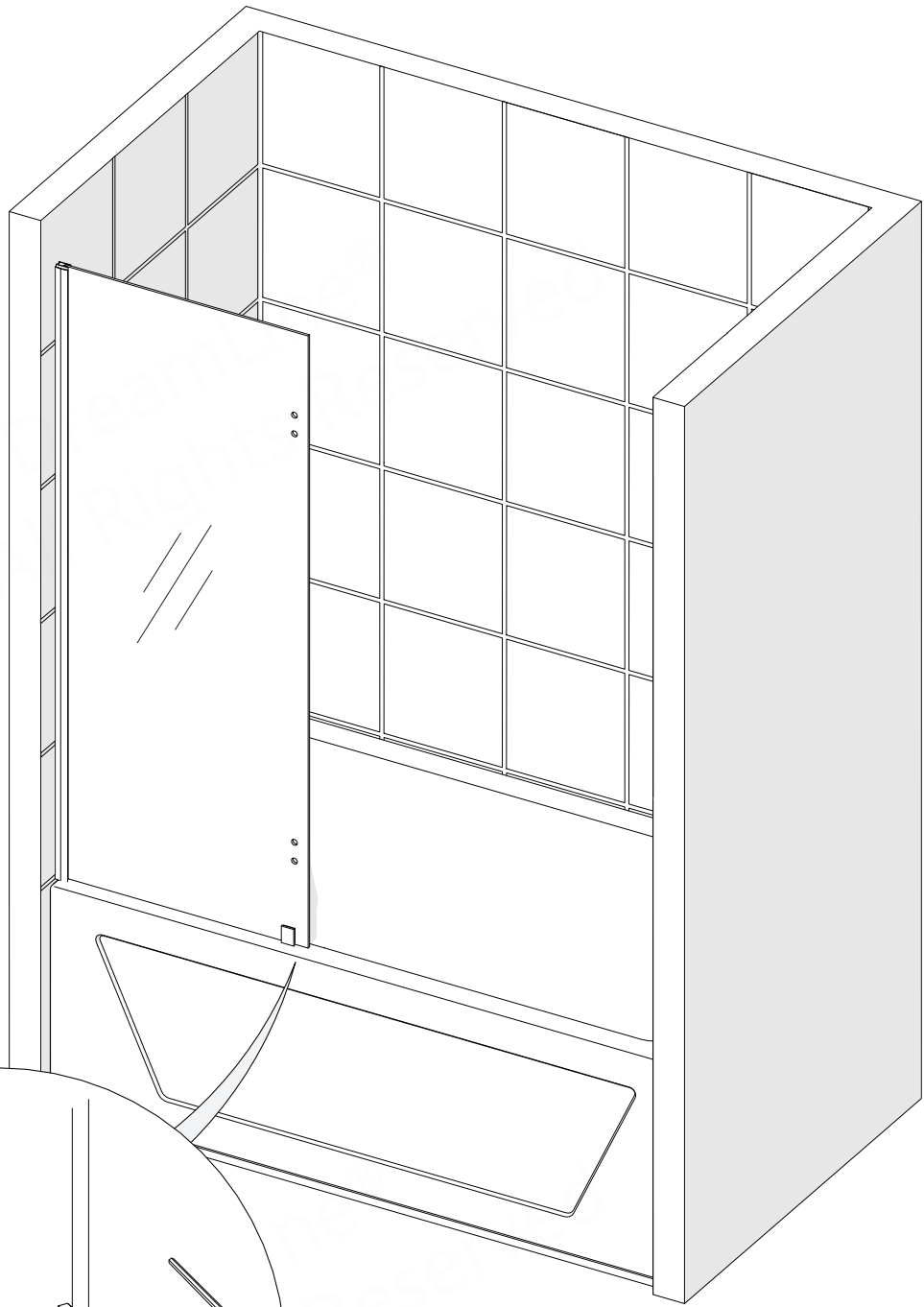
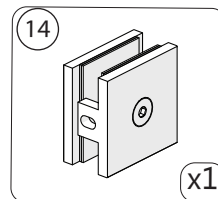


Fig 7

Parts Needed



Tools Needed



Support Bar Installation

NOTE

Adjust the **Support Bar (#03)** to an angle (45° provides maximum stability) that will provide adequate support to the glass. Level the **Support Bar** horizontally. Tighten all set screws after installation.

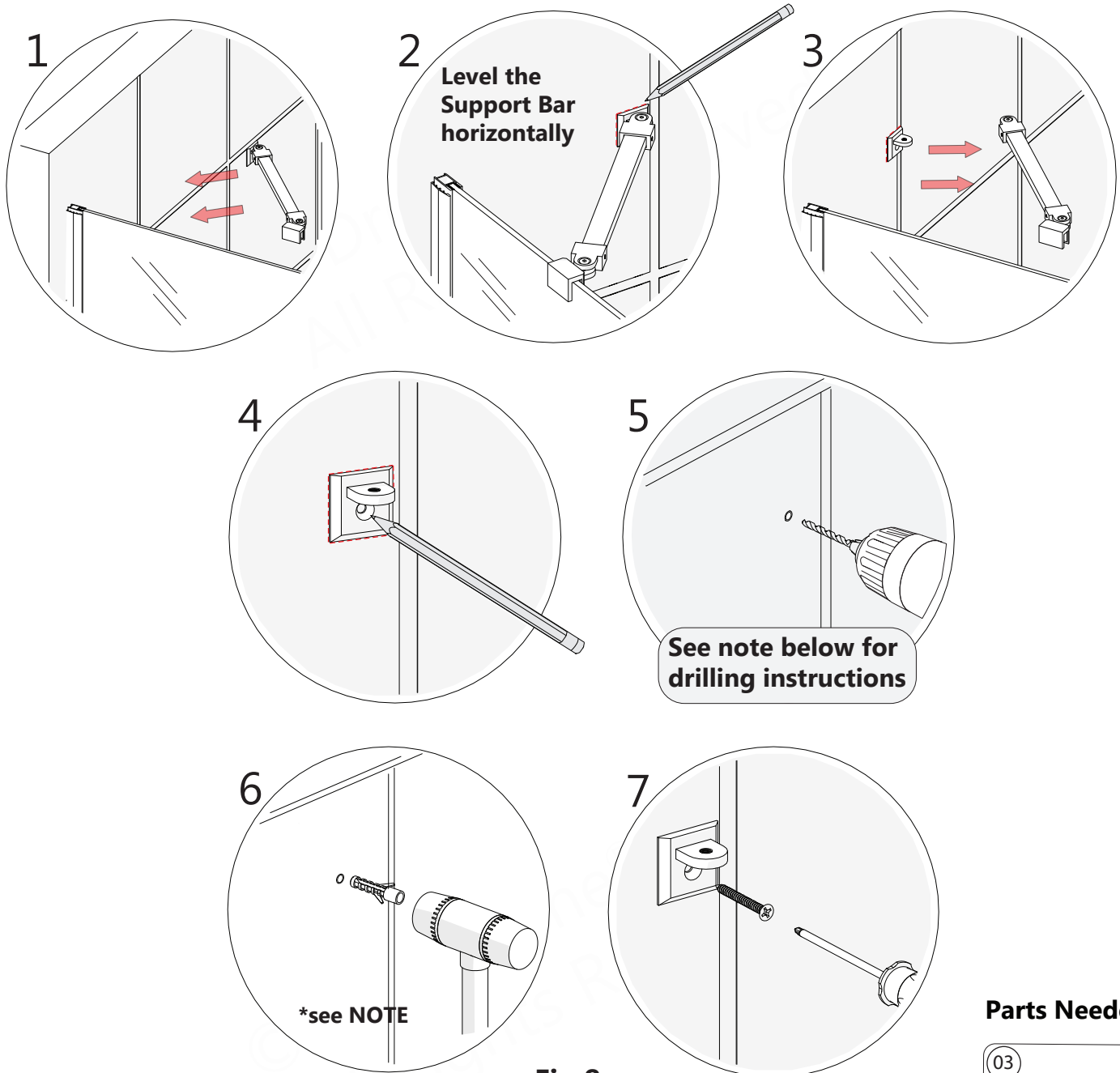


Fig 8

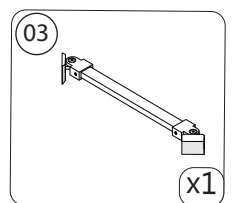
NOTE

▪ **If a Stud is present behind the wall:**
drill a $\text{Ø}3/16''$ (4mm) hole up to the stud,
drill an $\text{Ø}1/8''$ (3mm) pilot hole into the stud and use
the **ST4.2 x 40mm Countersunk Screws (#15)**

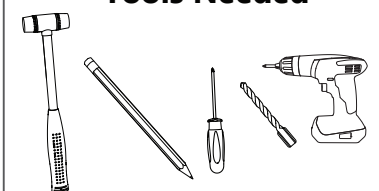
OR

▪ **If No Stud is present behind the wall:**
drill a $\text{Ø}5/16''$ (7mm) hole and insert the **Wall Anchors (#07)**
and use the **ST4.2 x 40mm Countersunk Screws (#15)**.

Parts Needed

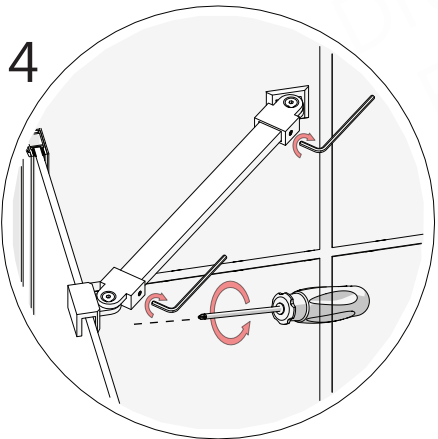
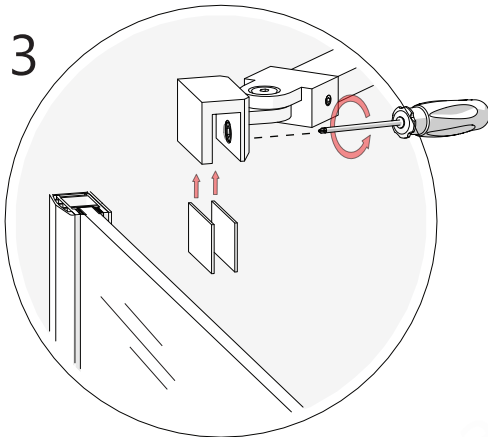
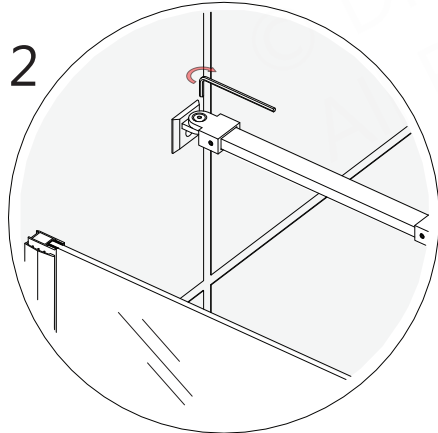
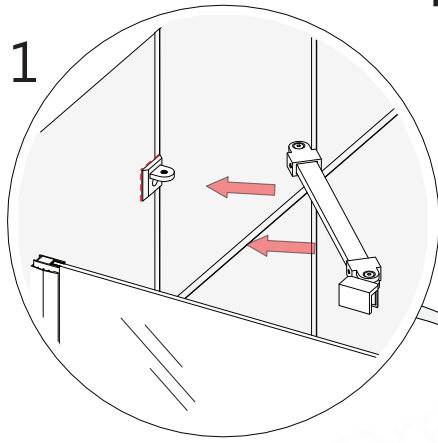


Tools Needed



9

Support Bar Installation



NOTE

Adjust the **Support Bar (#03)** to an angle that will provide adequate support to the glass. Level the **Support Bar** horizontally.

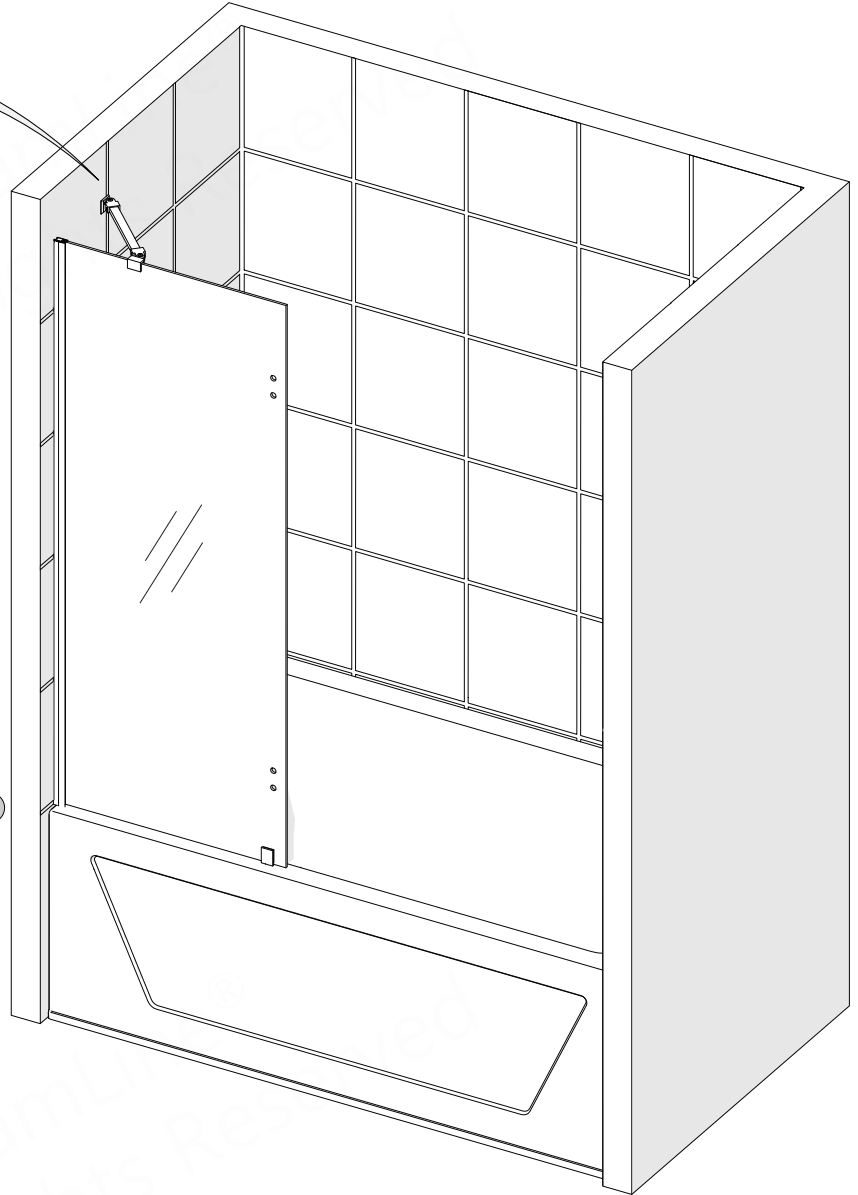
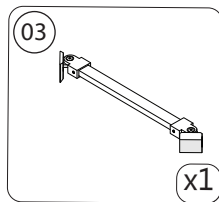


Fig 9

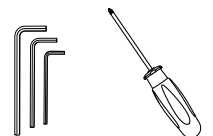
NOTE

Be sure all set screws (top and side of Support Arm) are tight.

Parts Needed



Tools Needed



Connecting the Profiles

NOTE Make any final adjustments, then drill $\varnothing 1/8"$ holes through the pre-drilled holes in the **Wall Profile (#01)**. Drill only through the **first layer** of the **Glass Profile** and install the **ST4.2x10mm Pan Head Screws (#09)** using the **Decorative Cover and Washer (#08)** Fig 10

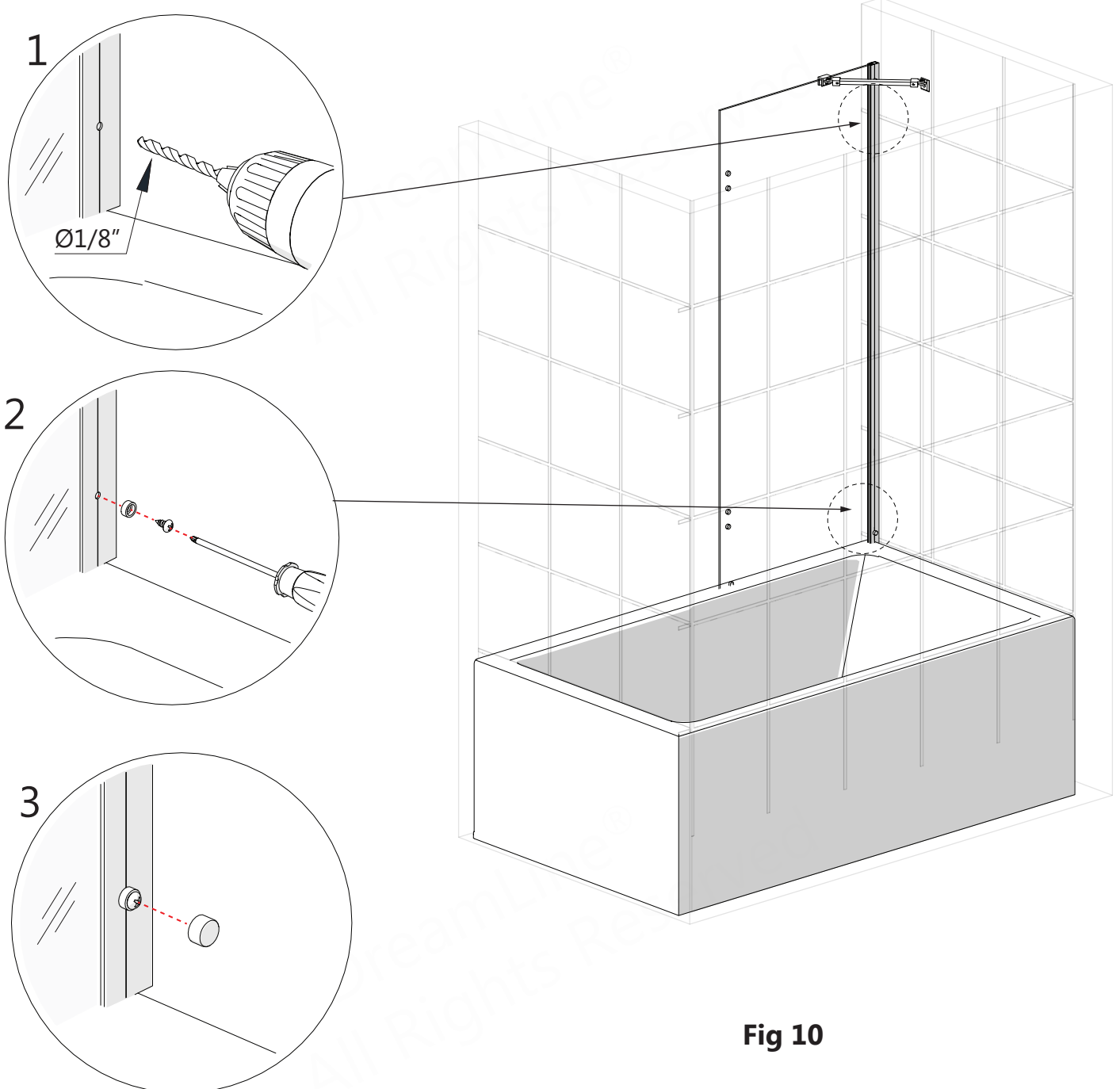
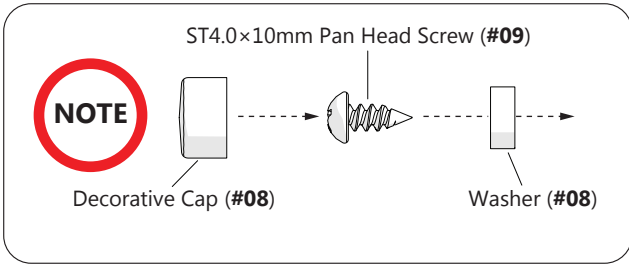


Fig 10



Parts Needed

- (09) ST4.0x10mm Pan Head Screw (#09) x2
- (08) Decorative Cap (#08) and Washer (#08) x4 sets

Tools Needed

- Screwdriver
- Drill
- Drill Bit

11

Glass-to-Glass Hinge Assembly Installation

NOTE

Tighten the hinge bolts fully and evenly using a screw gun and a 4mm hex bit. It is normal to hear the gaskets compressing onto the glass.

TIP

Be sure the hinges are square with the **Panel Glass**. Align the inside of each hinge with the glass edge before tightening.

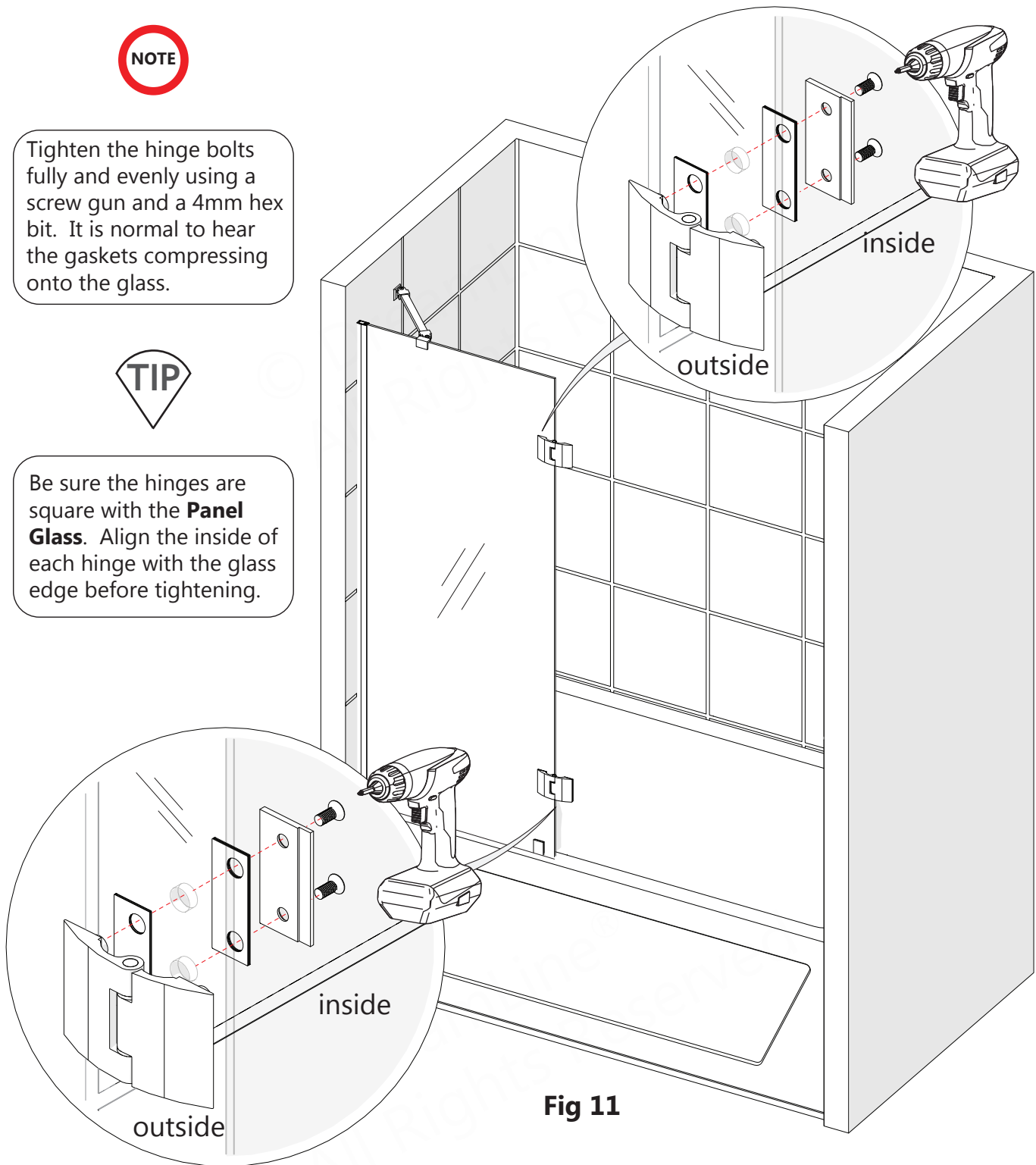
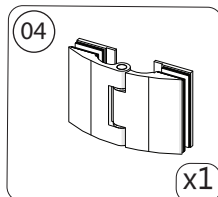


Fig 11

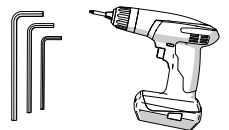


NOTE: DO NOT attach the towel bar to the door glass until instructed. **DO NOT** use the towel bar to lift the glass during installation. This may result in damage to the glass and/or serious injury. Always use an assistant or a professional grade glass suction cup when handling heavy glass. Fig 12

Parts Needed



Tools Needed



Door Glass Installation

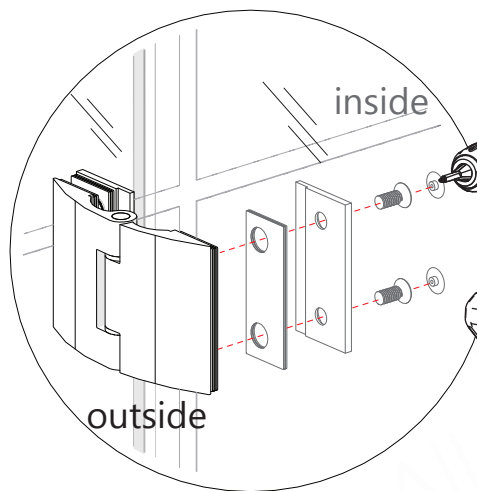
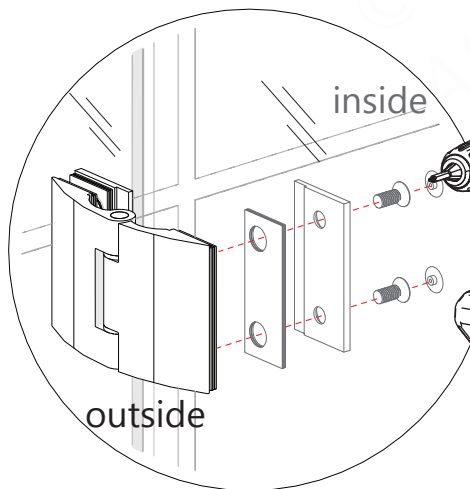


Aligning the edges of the **Panel Glass** and the **Door Glass** with the inside edges of the **Hinges** will help keep the glass squared. Check that the top edges of the **Panel Glass** and the **Door Glass** are even and that the reveal between the two lites of glass is even from top to bottom.

Fully and evenly tighten the hinge assembly bolts using a screw gun and a 4mm hex bit. It is normal to hear the gaskets compressing onto the glass.

The top edges of both lites of glass must be even.

The reveal between the Door and Panel must be even from top to bottom.



5/8" shims needed (not included)

Parts Needed

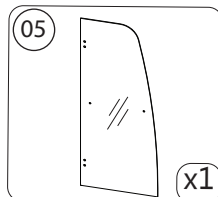
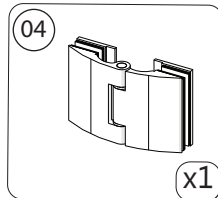
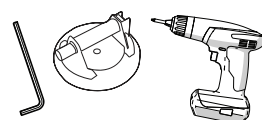


Fig 12



Use shims (wood or plastic/not included) to raise the **Door Glass (#05)** by 5/8" (16mm) when positioning the **Door Glass (#05)** to maintain the proper spacing between the bottom of the Door Glass and the threshold for the sweep vinyl.

Tools Needed



Towel Bar Installation

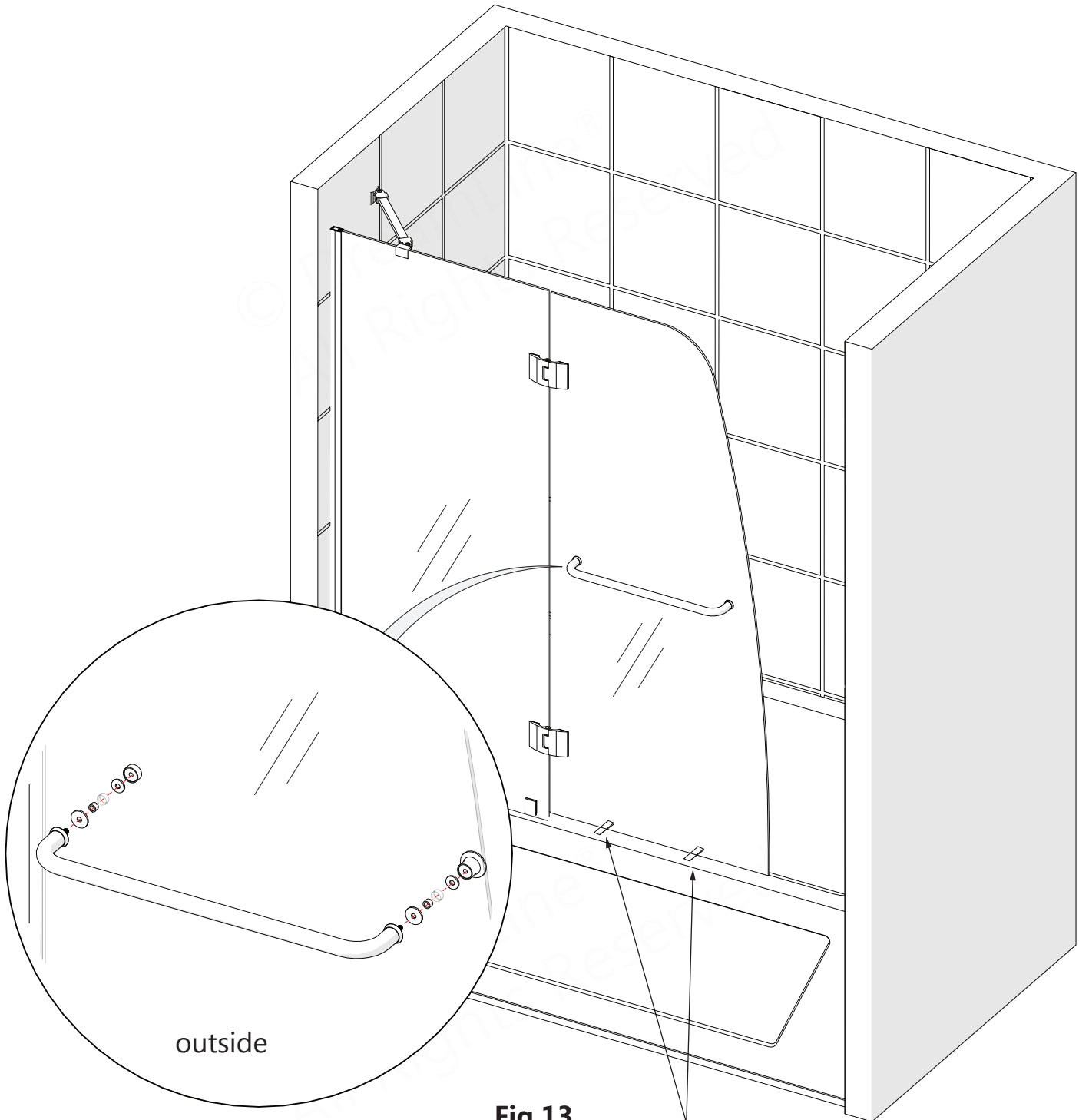


Fig 13

The shims can be removed at this point

NOTE



To prevent glass-to-metal contact, confirm the vinyl gaskets are present between the knobs and the glass.

Parts Needed

11

x1

Vinyl Seals Installation

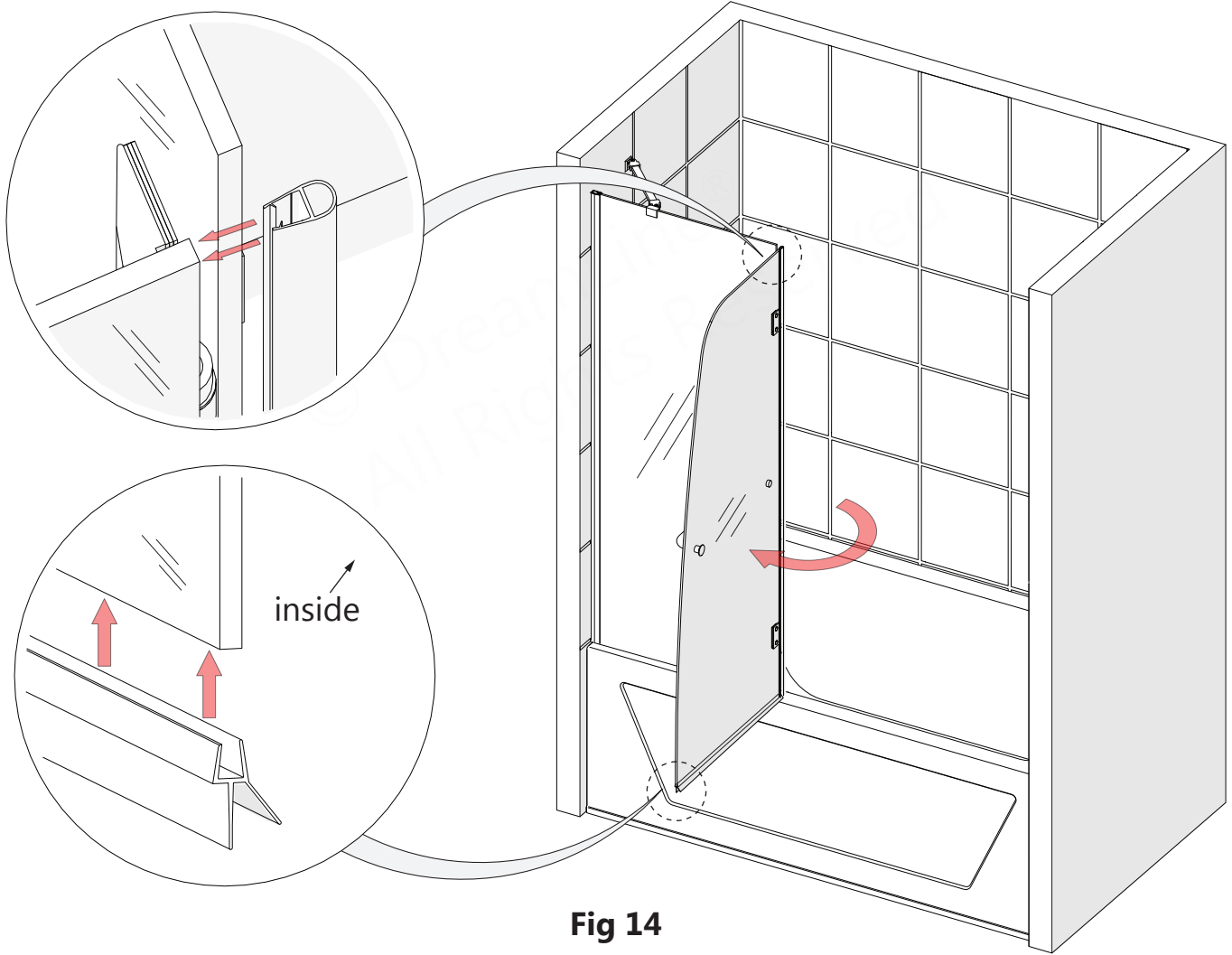


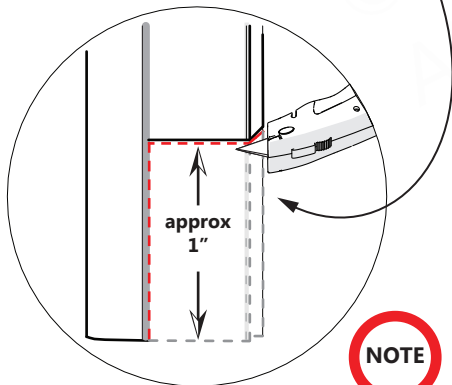
Fig 14

NOTE

Use a razor knife to notch the **Bulb Vinyl Seal (#11)** to fit around the **Bottom Sweep Vinyl (#07)** as shown to prevent leakage in the corner.

NOTE

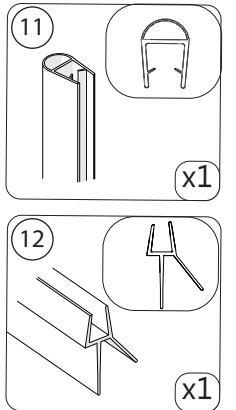
Notch the **Bulb Vinyl Seal (#11)** +/- 1" to fit around the **Sweep Vinyl (#07)**



NOTE

If necessary, trim the **Sweep Vinyl (#07)** to the width of door glass. The Sweep Vinyl should always span the entire width of the **Door Glass**.

Parts Needed



Tools Needed





Apply a good quality, mildew-resistant clear silicone to the entire interior perimeter of the **Hinge Panel Glass Assembly (#02)**. Be sure the surfaces are clean and free of debris before applying silicone. **Fig 15**

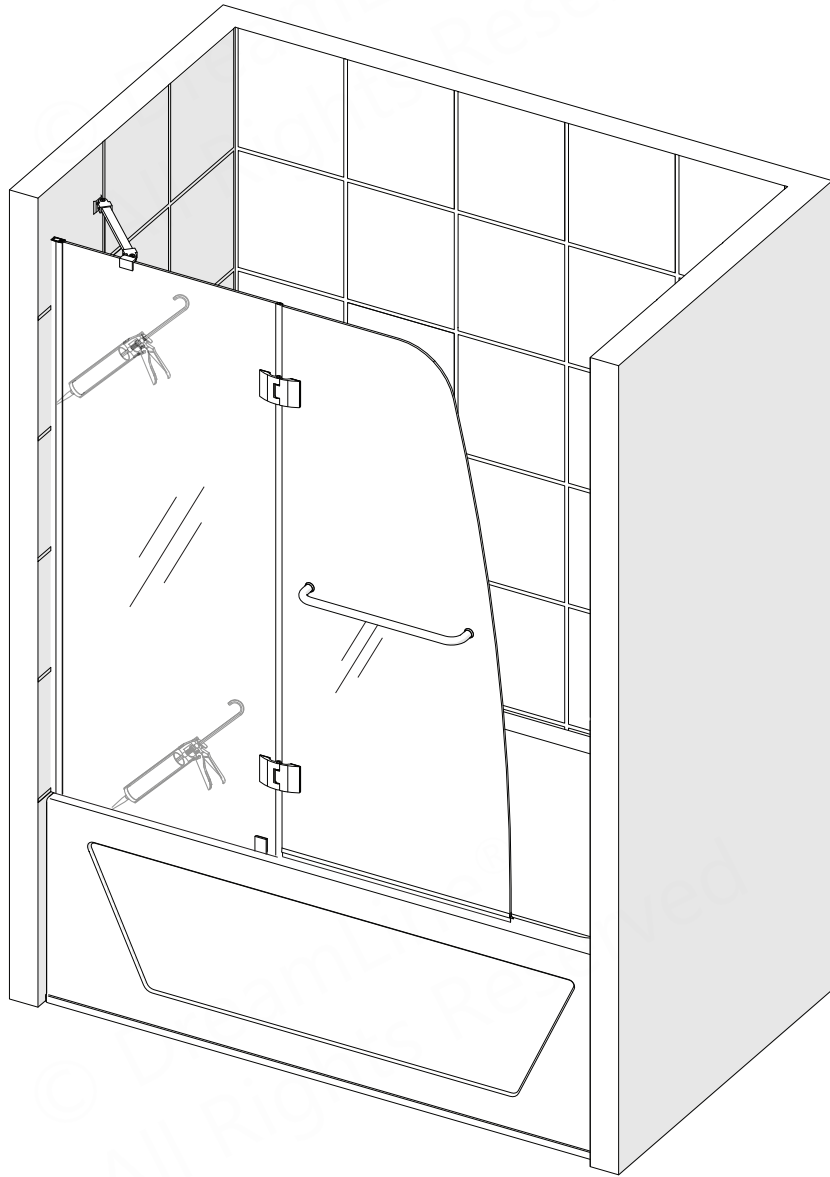
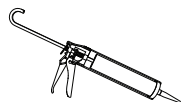


Fig 15



Allow 24 hours for the silicone to cure before using the shower

Tools Needed



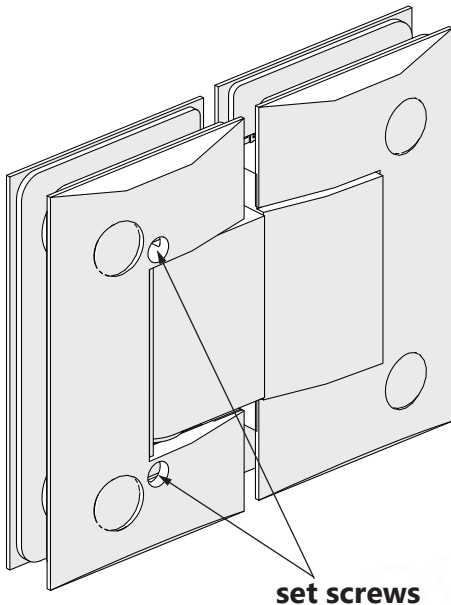
Glass-to-Glass Hinge Assembly Adjustment Procedure

NOTE

The glass-to-glass hinge assemblies are preset to overclose to 172° for a tight seal against the **180° Inline Strike Vinyl (#19)** installed on the **Inline Panel Glass (#11)**. This creates the ideal tension setting for closing the door against the hinge panel. Adjustment is not necessary and should **only be used if a different closing angle is desired**. Both the top and bottom Hinge Assemblies must be adjusted at the same time and to the same angle during adjustment.

The Adjustable Glass-to-Glass Hinge Assemblies are factory pre-set to overclose to 172° to create a tight seal with the 180° Inline Strike Vinyl.

How to Adjust the Glass-to-Glass Hinge Assemblies



Once the **Door Glass (#01)** is installed:

- Hold the door in the closed position and loosen the adjustment set screws on **both** hinges with the supplied Allen Key
- Move the door to the new desired closed position
- While holding the door in the new closed position, re-tighten the set screws on **both** hinges
- The Door Glass will now close to the new closed position

NOTE

Do not adjust the hinges separately or before installation. This could lead to problems with the hinges operating together correctly.



To prevent water leakage, adjust the **Hinge Assemblies (#05)** to overclose so the Door Glass creates a tight seal with the **L-Strike Vinyl Seal (#08)** (for single shower door models) or the **Strike Vinyl Seal** included with the Inline Panel or Return Panel Glass.

Product Maintenance

BASES and BACKWALLS: To ensure long lasting life for your acrylic back walls: wipe them off after each use with a soft cloth. To clean the acrylic back walls use non-abrasive sprays or cream based cleaners. Avoid the use of aerosol spray cleaners. Never use abrasive cleansers, metal brushes or scrapers that could permanently scratch or dull the surface.

GLASS: To ensure long lasting life for your glass shower products: wipe them off after each use with a soft cloth. Rinse and wipe off the glass using either a soft cloth or a squeegee to prevent soap buildup and water spots (Hard water can etch the surface of the glass over time if left to dry). To prevent scratching the surface: never use abrasive cleaners or cleaning products that contain scouring agents. Never use bristle brushes or abrasive sponges that may scratch the surface of the glass.

HARDWARE: To ensure a long lasting finish: wipe off all metal parts after each use with a soft cloth. Do not use abrasive cleaners or cleaning products containing ammonia, bleach or acid. If accidentally used, rinse the surface as soon as possible to prevent damage to the finish (peeling or corrosion). After cleaning the polished finishes, rinse thoroughly and wipe dry with a soft clean cloth.

Clean stainless steel surfaces at least once a week. When applying stainless steel cleaner or polish to stainless steel hardware, work with the grain (not across the grain). Never use an abrasive sponge or cloth, steel wool or wired brush as these may permanently scratch the surfaces.



To maximize the life of your door, it is important to regularly inspect the glass and other hardware for misalignment, proper attachment, and/or damage. Contact DreamLine® with any questions or concerns.

AQUA Maintenance Checklist

- Check that the unit is stable, operates smoothly and that the installation is secure.
- Confirm that all screws/bolts are tight.
- Check that the Towel Bar is tightly secured to the Door Glass and that all gaskets are in place to prevent glass-to-metal contact.
- Confirm that all vinyl seals are intact (replace if missing or damaged to prevent leakage)
- Inspect exposed and concealed glass edges for damage
 - Damaged Glass Must be Replaced!**
- Inspect silicone caulk for gaps. Replace silicone as necessary to prevent water leakage.

Troubleshooting

Problem/Symptom	Suggested Solution	Page(s)
Missing Parts	<ul style="list-style-type: none"> • Check all shipping/packaging material for missing parts/components. • If an item is not found, contact DreamLine Customer Support [1-866-731-2244] to order factory part replacement. 	6-8
Door Glass (#01) does not close flush with the Vinyl and Hinge Panel Glass (#02)	<ul style="list-style-type: none"> • Inspect the Vinyl Seals and be sure they are installed correctly. • Check that the Bulb Vinyl Seal (#11) on the back of the Door Glass (#05) is installed correctly so it seals against the Hinge Panel Glass (#02) • Check that the reveal (gap) between the door and the strike vinyl is consistent/even from top to bottom. Use a level and adjust the Door Glass (#05) as needed. 	22
Top of the Hinge Panel Glass (#02) is not flush with the top of the Door Glass	<ul style="list-style-type: none"> • Confirm the Hinge Assemblies (#04) are tightly secured to the Door Glass. • See Hinge Installation instructions on Pages 19-20. It may be necessary to loosen both hinges, adjust the door glass height, then re-tighten the hinges. 	19-20
Water Leakage: Bottom Sweep Vinyl Seal (#12)	<ul style="list-style-type: none"> • Confirm the vinyl is tightly secured to the bottom of the Door Glass (#05). Also, confirm the distance between the bottom of the Door Glass and threshold is 1/2" (12mm). Confirm the Hinge Side Vinyl Seal (#11) is correctly notched around the Bottom Sweep Vinyl (#12). • Direct the water flow away from the area 	22
Towel Bar / Handle (#06) rattles during operation	<ul style="list-style-type: none"> • Confirm the vinyl gaskets are present and the towel bar is tightly secured to the glass. 	21



NOTE: DO NOT use the towel bar for support. The Towel Bar is NOT a grab bar.

NOTE: The Aqua tub door is designed to swing out. DO NOT push the door into the tub area.



Prior to contacting DreamLine® Customer Service, please have the following information readily available:

- Purchase Order Information
 - Name, PO Number, Dealer/Vendor Name, etc.
- SKU/Model Number
- Factory Part Information

Factory Parts Information

AQUA Tub {SHDR-3148586-##}		FACTORY PARTS INFORMATION	
ITEM #	FACTORY PART NUMBER	ITEM DESCRIPTION	QTY
01	04144011-1473	Glass Profile	1 pc
01	04142011-1473	Wall Profile	1 pc
02	010034005	Hinge Panel Glass	1 pc
03	0712 1 039 / 0712 4 039	Support Bar Assembly	1 pc
04	741 1 004 / 741 4 004	Glass-to-Glass Hinge Assembly	2 pcs
05	010034006	Door Glass	1 pc
06	0722 1 030 / 0722 4 030	Towel Bar Handle Assembly	1 pc
07	07552148	Wall Anchor 8mm (5/16in)	5 pcs
08	0755 1 011 / 0755 4 011	Decorative Cover and Washer	2 pcs
09	091101	ST4.2x10mm Self-Tapping Round Head Screw	2 pcs
10	092108	ST4.2 x 40 Countersunk Screw	4 pcs
11	063007060-1473	Clear Bulb Vinyl Seal, 58" Length	1 pc
12	063012060-0608	Clear Bottom Sweep Vinyl 23 15/16" Length	1 pc
13	091104	ST4.2x25mm Self-Tapping Round Head Screw	1 pc
14	701 1 001 / 701 4 001	Bottom Bracket	1 pc
15	090108	ST4.2x40mm Self-Tapping Flat Head Screw	1 pc

BOLD digit indicates finish:

1 = Chrome

4 = Brushed Nickel

Contact **Support@DreamLine.com** for Part replacement, installation assistance or additional information.
Complete **Warranty** information is available on **DreamLine.com**.

NOTES:

© DreamLine®
All Rights Reserved

© DreamLine®
All Rights Reserved

NOTES:

© DreamLine®
All Rights Reserved

© DreamLine®
All Rights Reserved



TEL: 866-731-2244
FAX: 866-857-3638
DREAMLINE.COM

For more information on DreamLine® Shower Doors and Enclosures please visit **DreamLine.com**