



SERVICE PARTS LIST

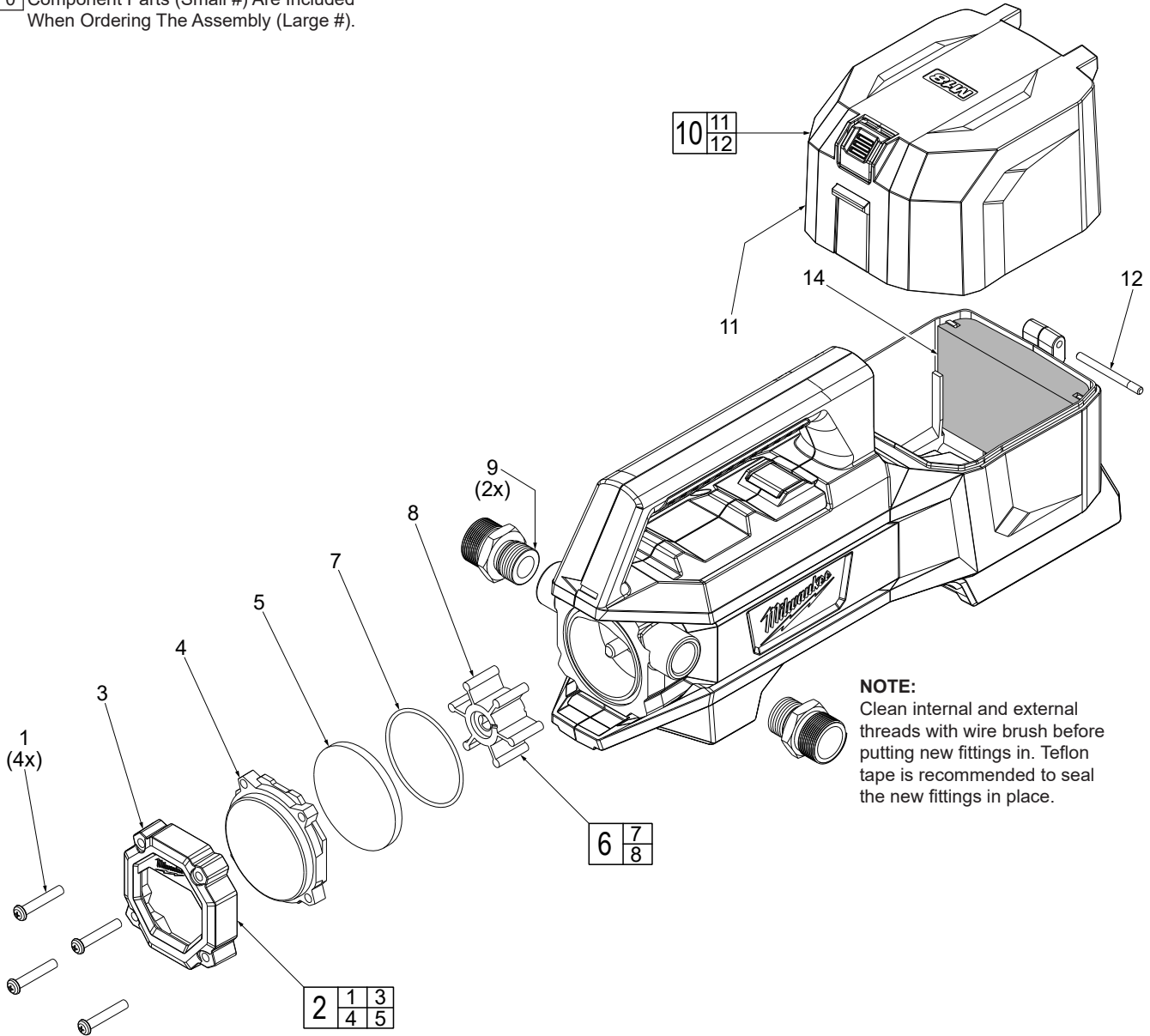
BULLETIN NO.
54-05-2771

SPECIFY CATALOG NO. AND SERIAL NO. WHEN ORDERING PARTS		REVISED BULLETIN	DATE
M18™ TRANSFER PUMP		54-05-2770	May 2018
CATALOG NO.	2771-20	STARTING SERIAL NO. H59B	
WIRING INSTRUCTION			

EXAMPLE:

00	0
----	---

 Component Parts (Small #) Are Included
 When Ordering The Assembly (Large #).



NOTE:
 Clean internal and external threads with wire brush before putting new fittings in. Teflon tape is recommended to seal the new fittings in place.

★ = Part number change from previous service parts list.

FIG.	PART NO.	DESCRIPTION OF PART	NO. REQ.
1	06-82-0048	M5 x 30 Screw Kit (Set of 4)	(1)
2	14-38-0018	Impeller Window Kit	(1)
3	-----	Front Cover	(1)
4	-----	Lens	(1)
5	-----	Window	(1)
6	49-16-2771	Flexible Impeller Kit w/ Grease	(1)
7	-----	O-Ring	(1)
8	-----	Impeller	(1)
9	43-33-0026	Brass Fitting 1/2" NPT x 3/4" GHT	(2)
★ 10	31-21-0022	Battery Door Kit	(1)
★ 11	-----	Battery Door	(1)
★ 12	-----	Battery Door Pin	(1)
13	12-20-0083	Service Nameplate (Not Shown)	(1)
★ 14	44-52-0054	Rubber Battery Pad	(1)

FIG.	NOTES
9	The brass fittings are a standard size and should be available to purchase at most hardware stores.
13	A clean, dry surface is essential for proper performance for any adhesive system. The area intended for application of any adhesive label or nameplate must be prepared by cleaning with isopropyl alcohol. The solvent is to be applied with a clean, lint free applicator and the surface allowed to dry before applying the label or nameplate.