

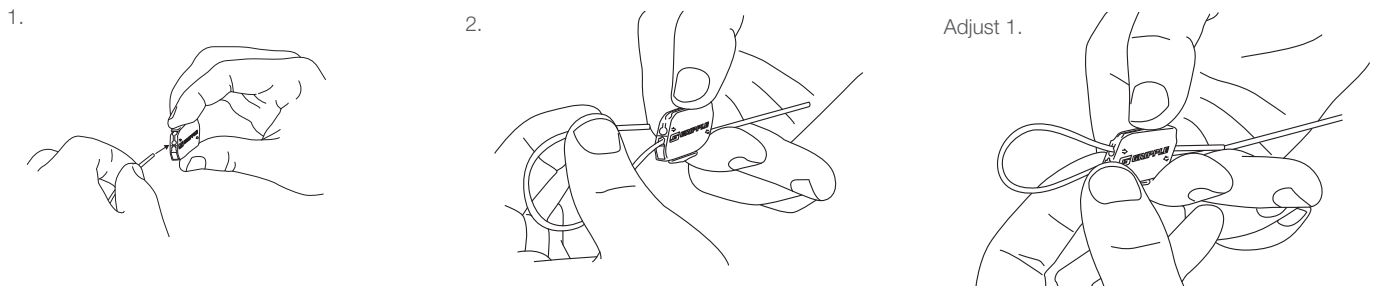
Tool free locking device for fast suspension of a variety of services, designed with a keyless release mechanism.

## FEATURES / BENEFITS

- The XP1 is ideal for signage, shopfitting, lighting and other lightweight fixtures
- The XP2 is ideal for mechanical and electrical applications
- Up to six times faster to install than traditional methods
- Keyless; no tool required for adjustment
- Ergonomic buttons allow rapid adjustment
- Discreet and aesthetic design
- Supplied as a ready-to-use kit

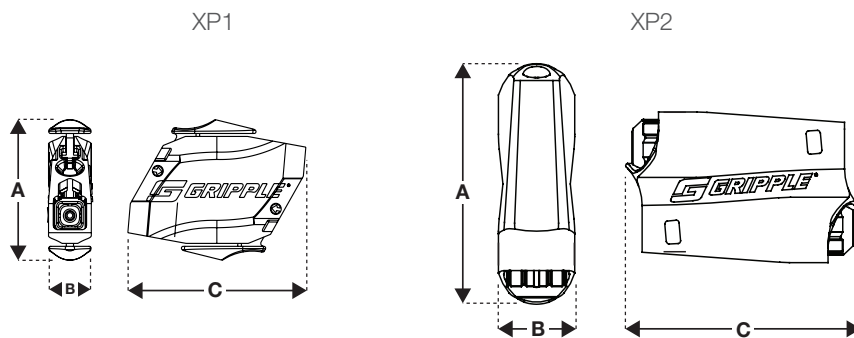


## INSTALLATION & ADJUSTMENT



Ensure a minimum 75 mm of tail wire exit the hanger.

## SPECIFICATION



Dimension	No.1 (mm)	No.2 (mm)
A	18.5	21.4
B	5.9	11.6
C	23.5	28.4

## AVAILABLE END FIXINGS



For more options on available end fixings please contact us or visit [www.gripple.com](http://www.gripple.com)

## SUBMITTAL INFORMATION

### Safe Working Load:

- No.1 - 0 - 15 kg @ 5:1 safety factor
- No.2 - 0 - 45 kg @ 5:1 safety factor

### Material:

- Housing** - Type ZA2 Zinc
- Wedge** - Sintered steel hardened to min. 56 Rockwell C
- Spring** - Stainless Steel (Type 302)
- End Cap** - Polypropylene (MOPLN EP448T)
- No. 1 Button** - Acetal
- No. 2 Button** - 30% Glass filled Polypropylene