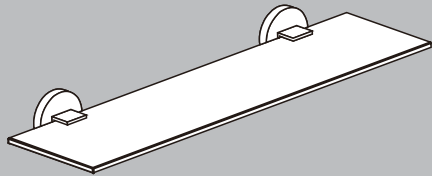


INSTRUCTIONS FOR MODELS

SA-1209



NEED HELP?

For additional assistance or service please contact:

SPEAKMAN® Company
400 Anchor Mill Road
New Castle, DE 19720

800-537-2107

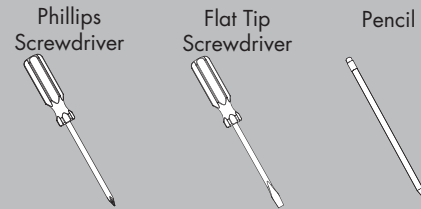
customerservice@speakman.com

www.speakman.com

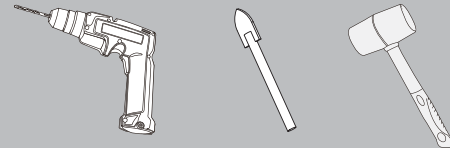
92-SA-1209-R2

TOOLS AND SUPPLIES

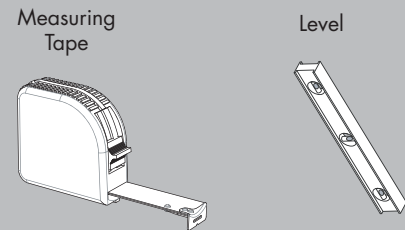
REQUIRED TOOLS & SUPPLIES:



Drill with 1/4" bit 1/4 "Tile Drill Bit Rubber
or 1/2 "bit (if mounting to tile) Hammer



HELPFUL TOOLS & SUPPLIES:



SAFETY TIPS

Be sure to wear eye protection.

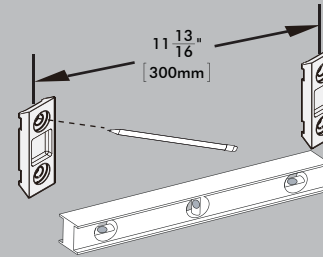
MAINTENANCE

Your new Speakman Product is designed for years of trouble-free performance. Keep it looking new by cleaning it periodically with a soft cloth. Avoid abrasive cleaners, steel wool, and harsh chemicals as these will dull the finish and void your warranty.

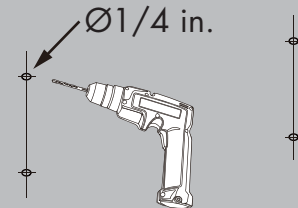
WARRANTY

Additional warranty information can be found at:
www.speakman.com

1 Place Mounting Plates into desired position, using a level to position them accordingly. Mark mounting hole locations with a pencil. Remove Mounting Plate from wall.

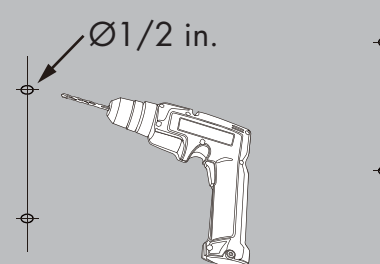


2 **Option A - Tile Wall**
Drill 1/4 in. holes in the previously marked locations.

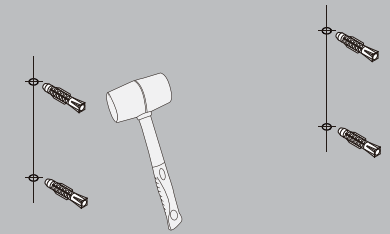


OR

2 **Option B - Drywall with Steel Backer Plate.**
Drill 1/2 in. holes in the previously marked locations.

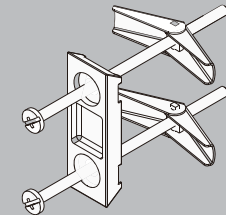


3 **Option A - Tile Wall**
Insert Plastic Anchors into hole and use rubber hammer to position Plastic Anchor flush with wall surface.

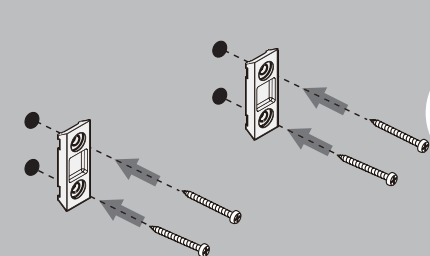


OR

3 **Option B - Drywall with Steel Backer Plate.**
Loosely assembly toggles through Mounting Plate.



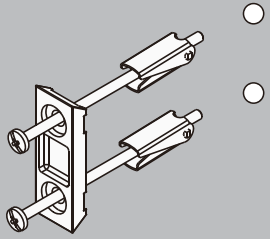
4 **Option A - Tile Wall**
Insert screws through Mounting Plate and secure Mounting Plate to wall by tightening screws.



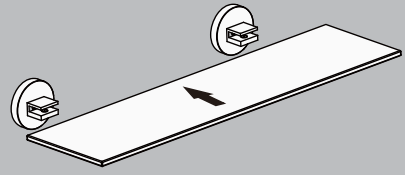
OR

4 Option B - Drywall with Steel Backer Plate
Place toggle bolts through mounting holes in wall surface. Secure Mounting Plate to wall by tightening bolts

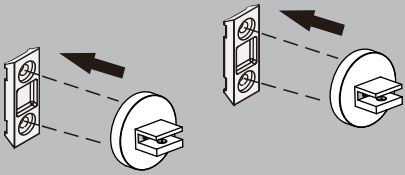
OR



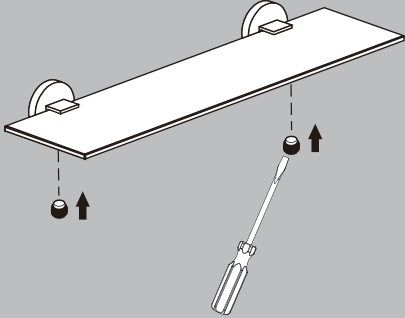
7 Insert glass shelf into C clips.



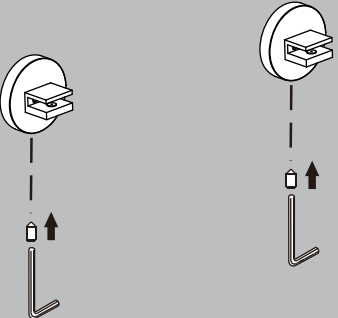
5 Place Bracket over Mounting Plate



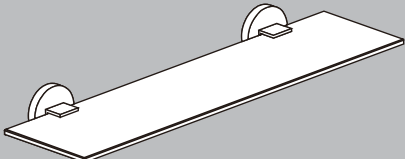
8 Secure Glass Shelf to Brackets using Set Screws. Tighten with Flat Tip Screwdriver. Take care to not over tighten or damage may occur.



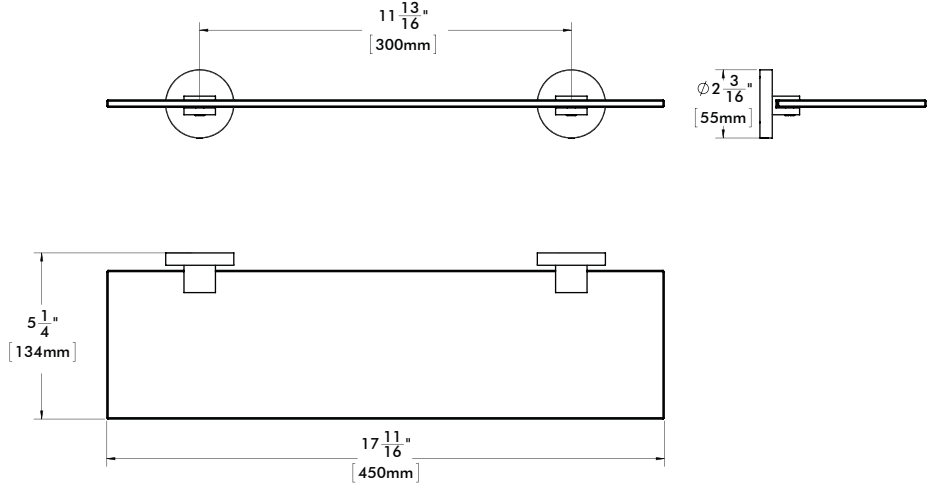
6 Secure Bracket by tightening set screw at bottom.



9 Installation Complete.



SA-1209 ROUGH-IN DIAGRAM



DIMENSIONS SUBJECT TO CHANGE WITHOUT NOTICE.