

### Features

- Brass construction.
- Brass valve bodies.
- Valvet® valves.
- Grid drain with tailpiece.
- For 5-1/2" (140 mm) centers.
- Standard handles.
- 1-1/4" (32 mm) spout.
- Lower flow aerator options are available. (Please refer to the Kohler Price Book).
- 0.5 gal/min (1.91 l/min) maximum flow rate [max at 60 psi (4.14 bar)].

### Optional Accessories

1160594 .35 gpm Aerator, Large



### Codes/Standards

ASME A112.18.1/CSA B125.1

NSF/ANSI 61

NSF/ANSI 372

All applicable US Federal and State material regulations

DOE - Energy Policy Act 1992

California Energy Commission (CEC)


### KOHLER® One-Year Limited Warranty

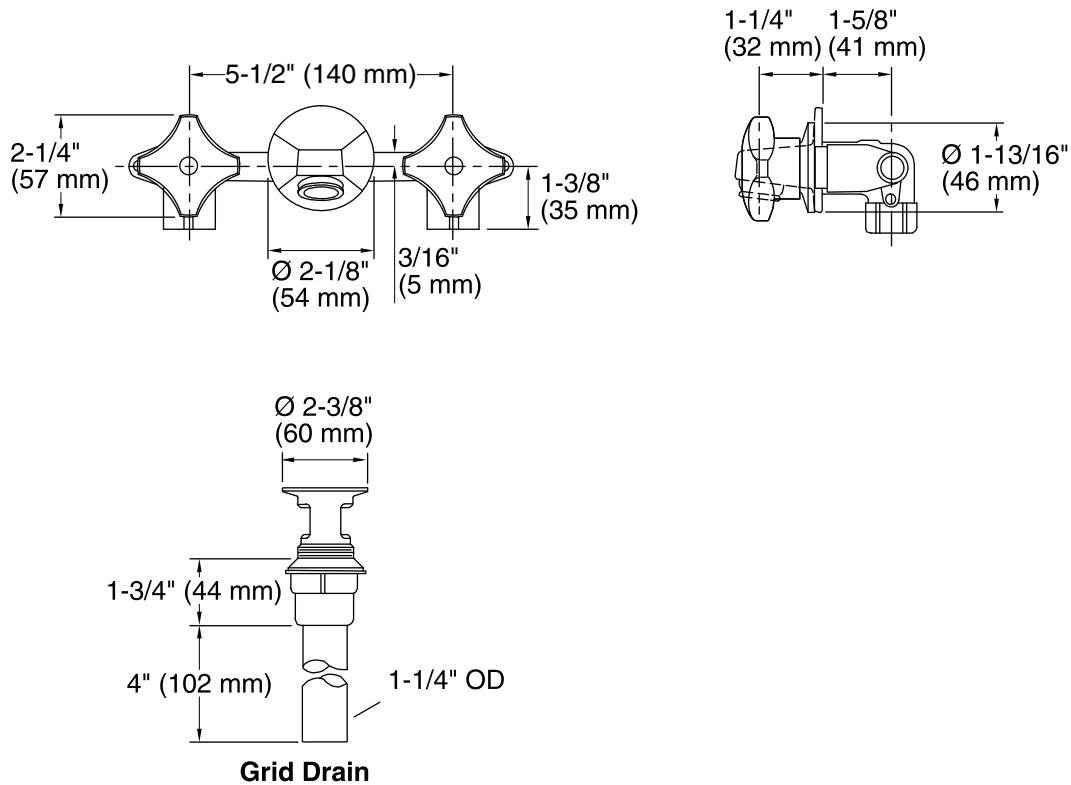
See website for detailed warranty information.

### Available Color/Finishes

*Color tiles intended for reference only.*

Color	Code	Description
-------	------	-------------

	CP	Polished Chrome
--	----	-----------------



### Technical Information

All product dimensions are nominal.

#### Faucet:

Flow rate: 0.5 gal/min (1.9 l/min)

Pressure: 60 psi (4.1 bar)

Drain included: Yes

Drain tailpiece included: Yes

#### Spout:

Spout reach: 1-1/4" (32 mm)

Handle clearance: 1-1/8" (29 mm)

### Notes

Install this product according to the installation guide.