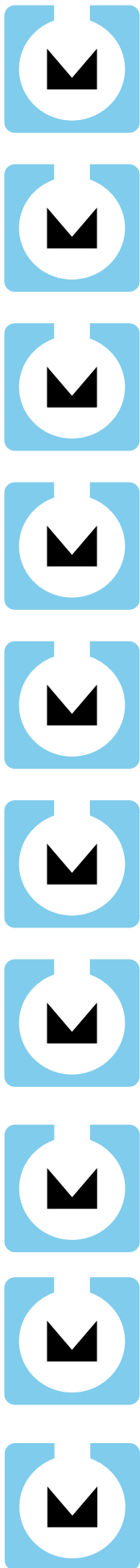


Call Toll Free: 1-800-426-1579  
 Toll-Free Fax: 1-800-545-1399  
 E-mail: sales@morriscoupling.com  
 www.morriscoupling.com



	<b>PAGE</b>
• <b>Compression Couplings</b>	
For Tubing and Pipe .....	1-3
With Gasket Protectors .....	4
Side-Band Couplings .....	5
Replacement Gaskets .....	6
• <b>Quickon Couplers</b> .....	7
• <b>Morris Gripper Couplers</b> .....	8
• <b>Repair Clamps</b>	
All (A) Round .....	9
Single-Type .....	10
Double-Type .....	11
• <b>Morris Flexible Hose</b>	
PVC .....	12-13
Metal .....	14-15
• <b>Installation Components</b> .....	16-17
• <b>Tubing Products</b>	
Long Radius Tube Bends .....	18
Straights .....	18
Tees, Wyes, Laterals .....	18
• <b>Sight Glasses</b> .....	19
• <b>Wands</b>	
Morris Gaylord Vacuum.....	20
• <b>Morris Coupling Nomenclature</b> .....	21

# MORRIS

COUPLING COMPANY

*Serving the pneumatic conveying industry with a complete line of precision quality coupling and tubing products, enabling you to purchase all of your needs from one source. And, on-time delivery performance, enabling you to meet your schedule.*

# Morris Coupling Company

## Ordering Information

When ordering couplings, first determine the pipe size (IPS) or tube diameter (OD), choose the appropriate gasket material, decide whether or not you need a gasket protector or grounding strip (stainless steel or aluminum), and then select the corresponding coupling for your application. Always state the *outside diameter* of the pipe or tube, the size code number, and the price. If you prefer to use our computer PIC number designation, see page 21 for a complete explanation.

## Terms

1% 10 Days, Net 30 Days.

## F.O.B. Point

Factory

- Coupling Products, Repair Clamps – Erie, PA
- Tubing Products, Sight Glasses – Knoxville, TN

## Shipments

All orders should specify method of shipment. In the absence of instructions, shipments will be made at the company's discretion. If special routing is desired, this should be stated. If post office and shipping point addresses differ, both should be given. Orders are accepted with the express understanding that Morris Coupling Company will not be liable for any losses or damages resulting from any delays in shipment or delivery due to any cause whatsoever.

## Orders, Contracts and Agreements

All orders and contracts taken by representatives of agents, or received direct, are subject to acceptance by the company at Erie, Pennsylvania.

## Quotations

All quotations are valid for acceptance within 30 days unless otherwise noted.

## Minimum Order

The net minimum billing is \$50.00.

## Returned Material

No merchandise can be returned without prior consent of the company. All returned shipments must be accompanied with a completed Customer Return Authorization form clearly identifying the name and address of the sender. In the event any material is returned for credit, a restocking charge will be made, plus a charge for reconditioning where necessary. All products being returned must be new and in resaleable condition.

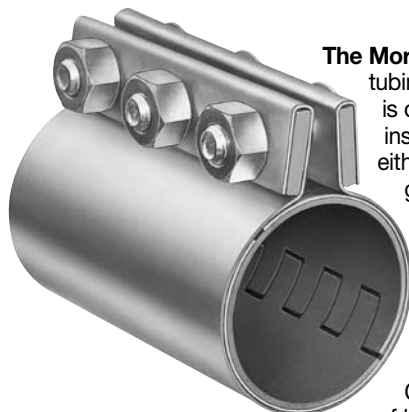
## Special Products or Material

All non-stock items and special products or materials *are not returnable*.

## Warranty

We warrant the goods to be free from defects in material and workmanship as represented in our catalogs or applicable drawings and specifications agreed to by us at the time of acceptance of the order by Morris Coupling Company. Our obligation under this warranty shall be limited to repairing or replenishing any parts which shall, within one (1) year after shipment to the original purchaser, be demonstrated to be defective. This warranty is expressly in lieu of all other warranties, express or implied, including the warranties of merchantability and fitness for application. No person, firm or corporation is authorized to assume for us any other liability in connection with the sale of these goods.

# Compression Couplings For Tubing And Pipe

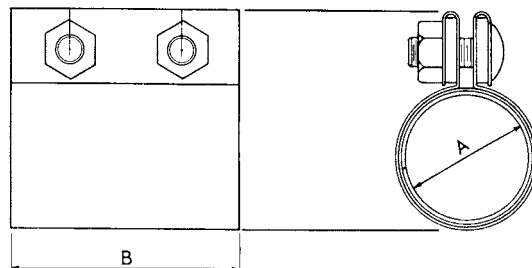


**The Morris Compression** tubing and pipe coupling is designed for permanent installation in the joining of either plain end, threaded, grooved or a combination of any of these joints. The band type construction holds the entire surface of the joint in uniform compression.

Couplings are made of heavy-gauge zinc-plated

steel...prices of aluminum or stainless-steel couplings quoted on request.

Gaskets furnished standard in red rubber or black neoprene...please specify. Gaskets also available in white neoprene and a variety of other materials at a slight extra charge.



## Condensed Table Of Specifications

SIZE	Thickness		
	Shell	Sleeve	Gasket
1/2" - 2-7/8" OD	.052	.052	.062
3" OD	.052	.052	.093
3-1/4" - 5" OD	.062	.052	.093
5-1/4" - 8-5/8" OD	.062	.052	.125
9" - 24" OD	.062	.062	.125

Tubing or Nom. Pipe (IPS) Size	O.D. Tubing Pipe (A)	Morris Coupling Code	Coupling Length (B)	No. of Bolts	Size of Bolts	Weight Each (lbs.)	LIST PRICE <sup>(2)</sup>			
							BLACK Gasket*		WHITE Gasket*	
							PIC No.	Price <sup>(1)</sup>	PIC No.	Price
1/2" Pipe	.840	1/2-2C	2"	2	5/16 x 1-1/4	.5	0100842B2	27.95	0100842W2	28.50
3/4" Pipe	1.050	3/4-2C	2"	2	5/16 x 1-1/4	.7	0101052B2	28.50	0101052W2	28.85
1" Tubing	1.000	1-2C-OD	2"	2	5/16 x 1-1/4	1.6	0101002B2	28.15	0101002W2	28.60
1" Pipe	1.315	1-2C	4"	2	1/2 x 1-3/4	1.6	0101312B2	14.60	0101312W2	15.05
1-1/4" Tubing	1.250	1-1/4-2C-OD	4"	2	1/2 x 1-3/4	1.9	0101252B2	14.05	0101252W2	14.60
1-1/4" Pipe	1.660	1-1/4-2C	4"	2	1/2 x 1-3/4	1.8	0101662B2	13.50	0101662W2	14.20
	1.660	1-1/4-3C	6"	3	1/2 x 1-3/4	3.0	0101663B2	17.30	0101663W2	18.00
1-1/2" Tubing	1.500	1-1/2-2C-OD	4"	2	1/2 x 1-3/4	2.0	0101502B2FG	13.25	0101502W2	13.70
	1.500	1-1/2-3C-OD	6"	3	1/2 x 1-3/4	2.9	0101503B2FG	16.20	0101503W2	16.80
1-1/2" Pipe	1.900	1-1/2-2C	4"	2	1/2 x 1-3/4	2.0	0101902B2	13.70	0101902W2	14.70
	1.900	1-1/2-3C	6"	3	1/2 x 1-3/4	3.1	0101903B2	17.30	0101903W2	18.00
1-3/4" Tubing	1.750	1-3/4-2C-OD	4"	2	1/2 x 1-3/4	2.1	0101752B2FG	13.50	0101752W2	14.20
	1.750	1-3/4-3C-OD	6"	3	1/2 x 1-3/4	3.0	0101753B2FG	16.80	0101753W2FG	17.70
2" Tubing	2.000	2-2C-OD	4"	2	1/2 x 1-3/4	2.1	0102002B2FG	13.70	0102002W2	14.70
	2.000	2-3C-OD	6"	3	1/2 x 1-3/4	3.1	0102003B2FG	17.70	0102003W2FG	18.35
2" Pipe	2.375	2-2C	4"	2	1/2 x 1-3/4	2.2	0102372B2	15.25	0102372W2FG	16.20
	2.375	2-3C	6"	3	1/2 x 1-3/4	3.5	0102373B2FG	19.10	0102373W2FG	19.60
	2.375	2-4C	8"	4	1/2 x 1-3/4	4.7	0102374B2	23.50	0102374W2	24.55
2-1/8" Tubing	2.125	2-1/8-2C-OD	4"	2	1/2 x 1-3/4	2.1	0102122B2	14.05	0102122W2	14.70
	2.125	2-1/8-3C-OD	6"	3	1/2 x 1-3/4	3.2	0102123B2FG	18.00	0102123W2	19.10
2-3/16" Tubing	2.187	2-3/16-2C-OD	4"	2	1/2 x 1-3/4	2.2	0102182B2FG	14.20	0102182W2	15.05
	2.187	2-3/16-3C-OD	6"	3	1/2 x 1-3/4	3.3	0102183B2FG	18.35	0102183W2	19.10
2-1/4" Tubing	2.250	2-1/4-2C-OD	4"	2	1/2 x 1-3/4	2.2	0102252B2	15.05	0102252W2	15.50
	2.250	2-1/4-3C-OD	6"	3	1/2 x 1-3/4	3.3	0102253B2FG	18.35	0102253W2	19.50
2-1/2" Tubing	2.500	2-1/2-2C-OD	4"	2	1/2 x 1-3/4	2.6	0102502B2FG	15.50	0102502W2	16.40
	2.500	2-1/2-3C-OD	6"	3	1/2 x 1-3/4	3.4	0102503B2FG	19.10	0102503W2FG	20.30
2-1/2" Pipe	2.875	2-1/2-2C	4"	2	1/2 x 1-3/4	2.4	0102872B2	15.50	0102872W2	16.40
	2.875	2-1/2-3C	6"	3	1/2 x 1-3/4	3.7	0102873B2FG	19.60	0102873W2	20.90
	2.875	2-1/2-4C	8"	4	1/2 x 1-3/4	5.0	0102874B2	24.55	0102874W2	26.10
2-3/4" Tubing	2.750	2-3/4-3C-OD	6"	3	1/2 x 1-3/4	3.6	0102753B2	19.50	0102753W2	20.80
3" Tubing	3.000	3-2C-OD	4"	2	5/8 x 2	3.2	0103002B2FG	17.30	0103002W2	18.00
	3.000	3-3C-OD	6"	3	5/8 x 2	4.5	0103003B2FG	20.30	0103003W2FG	22.05
	3.000	3-4C-OD	8"	4	5/8 x 2	5.9	0103004B2FG	27.40	0103004W2FG	29.75
3" Pipe	3.500	3-2C	4"	2	5/8 x 2	3.4	0103502B2	18.00	0103502W2	19.10
	3.500	3-3C	6"	3	5/8 x 2	5.1	0103503B2FG	22.80	0103503W2FG	24.45
	3.500	3-4C	8"	4	5/8 x 2	6.6	0103504B2FG	28.85	0103504W2FG	30.95
3-1/4" Tubing	3.250	3-1/4-2C-OD	4"	2	5/8 x 2	3.5	0103252B2	17.70	0103252W2	19.90
	3.250	3-1/4-3C-OD	6"	3	5/8 x 2	5.0	0103253B2	21.05	0103253W2	23.15
	3.250	3-1/4-4C-OD	8"	4	5/8 x 2	6.5	0103254B2	28.15	0103254W2	30.65
3-1/2" Tubing	3.500	3-2C	4"	2	5/8 x 2	3.4	0103502B2	18.00	0103502W2	19.10
	3.500	3-3C	6"	3	5/8 x 2	5.1	0103503B2FG	22.80	0103503W2FG	24.45
	3.500	3-4C	8"	4	5/8 x 2	6.6	0103504B2FG	28.85	0103504W2FG	30.95

- WHEN ORDERING, always give the Code No. and O.D. of the pipe or tube on which coupling will be used.
- Prices for larger and/or special sizes available on request.

**NOTE: When ordering GASKETS ONLY, please refer to page 6.**

- (1) Same price applies for couplings with red rubber gaskets.
- (2) Stainless steel grounding strips are standard on all couplings. Aluminum grounding strips or couplings without grounding strips available at same price.

\*Neoprene

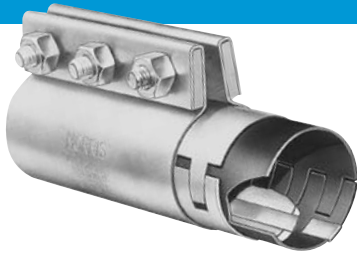
### For Prices and Delivery

Call Toll Free: 1-800-426-1579  
 Toll-Free Fax: 1-800-545-1399  
 E-mail: sales@morriscoupling.com  
 www.morriscoupling.com

**MORRIS**  
COUPLING COMPANY

2240 W. 15th St., Erie, PA 16505  
 Phone: 814-459-1741

# Compression Couplings For Tubing And Pipe *continued*



**To Prevent Static Electricity Build-up** in Bulk Material Conveying Systems, specify Morris Compression Couplings with grounding strips. Be sure to state if your requirements call for aluminum or stainless steel strips. Stainless steel grounding strips are standard, aluminum grounding strips or couplings without grounding strips are available at the same price.

**To Eliminate Gasket Wear**, or contamination of material flowing through the system lines, specify Couplings with Stainless Steel GASKET PROTECTORS. (For prices, see page 4.)

Nom. Pipe (IPS) Size	Tubing or Tubing Pipe (A)	O.D. Morris Coupling Code	Coupling Length (B)	No. of Bolts	Size of Bolts	Weight Each (lbs.)	LIST PRICE <sup>(2)</sup>			
							BLACK Gasket*		WHITE Gasket*	
							PIC No.	Price <sup>(1)</sup>	PIC No.	Price
3-1/2" Pipe	4.000	3-1/2-2C	4"	2	5/8 x 2	3.7	0104002B2FG	19.10	0104002W2	20.30
	4.000	3-1/2-3C	6"	3	5/8 x 2	5.3	0104003B2FG	24.55	0104003W2FG	27.05
	4.000	3-1/2-4C	8"	4	5/8 x 2	7.2	0104004B2FG	30.00	0104004W2FG	33.10
3-3/4" Tubing	3.750	3-3/4-3C-OD	6"	3	5/8 x 2	5.6	0103753B2	23.50	0103753W2	25.55
	3.750	3-3/4-4C-OD	8"	4	5/8 x 2	7.4	0103754B2	28.85	0103754W2	31.50
4" Tubing	4.000	3-1/2-2C	4"	2	5/8 x 2	3.7	0104002B2FG	19.10	0104002W2	20.30
	4.000	3-1/2-3C	6"	3	5/8 x 2	5.3	0104003B2FG	24.55	0104003W2FG	27.05
	4.000	3-1/2-4C	8"	4	5/8 x 2	7.2	0104004B2FG	30.00	0104004W2FG	33.10
4" Pipe	4.500	4-2C	4"	2	5/8 x 2	3.8	0104502B2	20.45	0104502W2	22.05
	4.500	4-3C	6"	3	5/8 x 2	5.5	0104503B2FG	26.10	0104503W2FG	28.50
	4.500	4-4C	8"	4	5/8 x 2	7.7	0104504B2FG	32.35	0104504W2FG	35.65
4-1/4" Tubing	4.250	4-1/4-3C-OD	6"	3	5/8 x 2	5.5	0104253B2	25.40	0104253W2	27.50
	4.250	4-1/4-4C-OD	8"	4	5/8 x 2	7.0	0104254B2	30.65	0104254W2	33.90
4-1/2" Tubing	4.500	4-2C	4"	2	5/8 x 2	3.8	0104502B2	20.45	0104502W2	22.05
	4.500	4-3C	6"	3	5/8 x 2	5.5	0104503B2FG	26.10	0104503W2FG	28.50
	4.500	4-4C	8"	4	5/8 x 2	7.7	0104504B2FG	32.35	0104504W2FG	35.65
4-1/2" Pipe	5.000	4-1/2-2C	4"	2	5/8 x 2	4.2	0105002B2	22.05	0105002W2	24.30
	5.000	4-1/2-3C	6"	3	5/8 x 2	6.2	0105003B2FG	27.95	0105003W2FG	30.65
	5.000	4-1/2-4C	8"	4	5/8 x 2	8.1	0105004B2FG	34.90	0105004W2FG	38.65
4-3/4" Tubing	4.750	4-3/4-3C-OD	6"	3	5/8 x 2	6.5	0104753B2	27.50	0104753W2	30.00
	4.750	4-3/4-4C-OD	8"	4	5/8 x 2	8.6	0104754B2	33.90	0104754W2	37.30
5" Tubing	5.000	4-1/2-2C	4"	2	5/8 x 2	4.2	0105002B2	22.05	0105002W2	24.30
	5.000	4-1/2-3C	6"	3	5/8 x 2	6.2	0105003B2FG	27.95	0105003W2FG	30.65
	5.000	4-1/2-4C	8"	4	5/8 x 2	8.1	0105004B2FG	34.90	0105004W2FG	38.65
5" Pipe	5.563	5-2C	4"	2	5/8 x 2	4.6	0105562B2	24.55	0105562W2	27.50
	5.563	5-3C	6"	3	5/8 x 2	6.8	0105563B2FG	30.65	0105563W2FG	34.15
	5.563	5-4C	8"	4	5/8 x 2	8.8	0105564B2FG	38.15	0105564W2FG	43.30
5-1/4" Tubing	5.250	5-1/4-3C-OD	6"	3	5/8 x 2	6.6	0105253B2	28.60	0105253W2	32.35
5-1/2" Tubing	5.500	5-1/2-3C-OD	6"	3	5/8 x 2	6.8	0105503B2	29.85	0105503W2	33.65
	5.500	5-1/2-4C-OD	8"	4	5/8 x 2	9.0	0105504B2	37.50	0105504W2	42.40
5-3/4" Tubing	5.750	5-3/4-3C-OD	6"	3	5/8 x 2	7.8	0105753B2	32.20	0105753W2	35.65
	5.750	5-3/4-4C-OD	8"	4	5/8 x 2	9.2	0105754B2	38.65	0105754W2	43.30
6" Tubing	6.000	6-2C-OD	4"	2	5/8 x 2	4.7	0106002B2FG	25.40	0106002W2	28.50
	6.000	6-3C-OD	6"	3	5/8 x 2	7.0	0106003B2FG	32.85	0106003W2FG	36.85
	6.000	6-4C-OD	8"	4	5/8 x 2	9.4	0106004B2FG	39.30	0106004W2FG	43.85
6" Pipe	6.000	6-5C-OD	10"	5	5/8 x 2	11.8	0106005B2	52.05	0106005W2	58.85
	6.625	6-2C	4"	2	5/8 x 2	5.3	0106622B2	27.05	0106622W2	30.00
	6.625	6-3C	6"	3	5/8 x 2	7.8	0106623B2FG	34.15	0106623W2	38.65
	6.625	6-4C	8"	4	5/8 x 2	10.4	0106624B2FG	42.40	0106624W2FG	48.25
	6.625	6-5C	10"	5	5/8 x 2	14.3	0106625B2	54.40	0106625W2	61.55
6-1/4" Tubing	6.250	6-1/4-3C-OD	6"	3	5/8 x 2	7.3	0106253B2	33.20	0106253W2	38.00
	6.250	6-1/4-4C-OD	8"	4	5/8 x 2	10.0	0106254B2	40.30	0106254W2	45.50
6-1/2" Tubing	6.500	6-1/2-3C-OD	6"	3	5/8 x 2	7.5	0106503B2	33.90	0106503W2	38.15
	6.500	6-1/2-4C-OD	8"	4	5/8 x 2	10.4	0106504B2	41.90	0106504W2	47.55
6-3/4" Tubing	6.750	6-3/4-3C-OD	6"	3	5/8 x 2	7.7	0106753B2	36.50	0106753W2	41.10
	6.750	6-3/4-4C-OD	8"	4	5/8 x 2	10.8	0106754B2	43.15	0106754W2	48.90
7" Tubing	7.000	7-3C-OD	6"	3	5/8 x 2	7.9	0107003B2	38.65	0107003W2	43.15
	7.000	7-4C-OD	8"	4	5/8 x 2	10.8	0107004B2	44.75	0107004W2	50.45
	7.000	7-5C-OD	10"	5	5/8 x 2	13.7	0107005B2	58.10	0107005W2	65.25
7-1/4" Tubing	7.250	7-1/4-3C-OD	6"	3	5/8 x 2	8.3	0107253B2	39.90	0107253W2	45.15
7-1/2" Tubing	7.500	7-1/2-3C-OD	6"	3	5/8 x 2	8.5	0107503B2	40.85	0107503W2	45.85
	7.500	7-1/2-4C-OD	8"	4	5/8 x 2	11.3	0107504B2	46.55	0107504W2	52.90
7-3/4" Tubing	7.750	7-3/4-3C-OD	6"	3	5/8 x 2	8.9	0107753B2	42.40	0107753W2	47.75
8" Tubing	8.000	8-2C-OD	6"	2	3/4 x 3	11.0	0108002B2	46.75	0108002W2	51.95
	8.000	8-3C-OD	8"	3	3/4 x 3	14.3	0108003B2FG	59.60	0108003W2	67.15
	8.000	8-4C-OD	10"	4	3/4 x 3	18.0	0108004B2FG	72.30	0108004W2	81.45
	8.000	8-5C-OD	12"	5	3/4 x 3	22.0	0108005B2	85.50	0108005W2	96.85
	8.000	8-5C-OD	12"	5	3/4 x 3	22.0	0108005B2	85.50	0108005W2	96.85
8" Pipe	8.625	8-2C	6"	2	3/4 x 3	11.5	0108622B2	47.55	0108622W2	53.10
	8.625	8-3C	8"	3	3/4 x 3	14.6	0108623B2	60.35	0108623W2	68.35
	8.625	8-4C	10"	4	3/4 x 3	18.8	0108624B2FG	73.55	0108624W2FG	83.65
	8.625	8-5C	12"	5	3/4 x 3	23.0	0108625B2	87.70	0108625W2	101.20
9" Tubing	9.000	9-3C-OD	8"	3	3/4 x 3	15.9	0109003B2	67.15	0109003W2	75.30
	9.000	9-4C-OD	10"	4	3/4 x 3	19.9	0109004B2	80.05	0109004W2	90.40

• WHEN ORDERING, always give the Code No. and O.D. of the pipe or tube on which coupling will be used. \*Neoprene

(1) Same price applies for couplings with red rubber gaskets. All prices shown are F.O.B. Erie, PA – prices subject to change without notice.

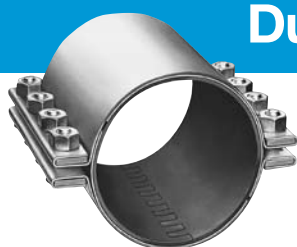
(2) Stainless steel grounding strips are standard on all couplings. Aluminum grounding strips or couplings without grounding strips available at same price.

# Compression Couplings For Tubing And Pipe *continued*

Tubing or Nom. Pipe (IPS) Size	O.D. Tubing Pipe (A)	Morris Coupling Code	Coupling Length (B)	No. of Bolts	Size of Bolts	Weight Each (lbs.)	LIST PRICE <sup>(2)</sup>			
							BLACK Gasket*		WHITE Gasket*	
							PIC No.	Price <sup>(1)</sup>	PIC No.	Price
10" Tubing	10.000	10-3C-OD	8"	3	3/4 x 3	17.5	0110003B2	73.20	0110003W2	82.60
	10.000	10-4C-OD	10"	4	3/4 x 3	21.8	0110004B2FG	87.45	0110004W2	98.70
	10.000	10-5C-OD	12"	5	3/4 x 3	26.1	0110005B2	101.20	0110005W2	113.90
10" Pipe	10.750	10-3C	8"	3	3/4 x 3	16.4	0110753B2	73.55	0110753W2	83.65
	10.750	10-4C	10"	4	3/4 x 3	20.3	0110754B2	88.80	0110754W2	100.80
	10.750	10-5C	12"	5	3/4 x 3	25.2	0110755B2	105.60	0110755W2	119.05
12" Tubing	12.000	12-3C-OD	8"	3	3/4 x 3	20.4	0112003B2	93.45	0112003W2	102.50
	12.000	12-4C-OD	10"	4	3/4 x 3	25.5	0112004B2	109.00	0112004W2	122.45
	12.000	12-5C-OD	12"	5	3/4 x 3	30.2	0112005B2	128.30	0112005W2	144.25
12" Pipe	12.750	12-3C	8"	3	3/4 x 3	18.7	0112753B2	95.20	0112753W2	107.15
	12.750	12-4C	10"	4	3/4 x 3	23.3	0112754B2	111.50	0112754W2	124.85
	12.750	12-5C	12"	5	3/4 x 3	28.1	0112755B2	131.85	0112755W2	148.40
13" Tubing	13.000	13-3C-OD	8"	3	3/4 x 3	21.8	0113003B2	117.00	0113003W2	130.70
	13.000	13-4C-OD	10"	4	3/4 x 3	26.8	0113004B2	135.50	0113004W2	151.70
	13.000	13-5C-OD	12"	5	3/4 x 3	32.6	0113005B2	157.20	0113005W2	176.20
14**	14.000	14-3C-OD	8"	3	3/4 x 3	22.9	0114003B2	134.10	0114003W2	149.35
	14.000	14-4C-OD	10"	4	3/4 x 3	27.6	0114004B2	154.35	0114004W2	173.00
	14.000	14-5C-OD	12"	5	3/4 x 3	34.2	0114005B2	172.20	0114005W2	192.65
	14.000	14-6C-OD	16"	6	3/4 x 3	45	0114006B2	207.70	0114006W2	235.85
15**	15.000	15-3C-OD	8"	3	3/4 x 3	24	0115003B2	150.70	0115003W2	167.90
	15.000	15-4C-OD	10"	4	3/4 x 3	29.6	0115004B2	163.75	0115004W2	183.30
	15.000	15-5C-OD	12"	5	3/4 x 3	35.9	0115005B2	188.20	0115005W2	210.35
	15.000	15-6C-OD	16"	6	3/4 x 3	48	0115006B2	223.15	0115006W2	251.90
16**	16.000	16-3C-OD	8"	3	3/4 x 3	25.3	0116003B2	168.80	0116003W2	186.80
	16.000	16-4C-OD	10"	4	3/4 x 3	31.1	0116004B2	192.20	0116004W2	214.60
	16.000	16-5C-OD	12"	5	3/4 x 3	37.8	0116005B2	207.00	0116005W2	231.55
	16.000	16-6C-OD	16"	6	3/4 x 3	49.5	0116006B2	246.15	0116006W2	277.35
18**	18.000	18-4C-OD	10"	4	3/4 x 3	34.7	0118004B2	212.70	0118004W2	235.95
	18.000	18-5C-OD	12"	5	3/4 x 3	41.9	0118005B2	226.85	0118005W2	254.80
	18.000	18-6C-OD	16"	6	3/4 x 3	54.9	0118006B2	262.40	0118006W2	296.85
20**	20.000	20-5C-OD	12"	5	3/4 x 3	45.6	0120005B2	249.30	0120005W2	284.15
	20.000	20-6C-OD	16"	6	3/4 x 3	59.5	0120006B2	284.80	0120006W2	323.10
22**	22.000	22-5C-OD	12"	5	3/4 x 3	48.9	0122005B2	282.30	0122005W2	317.80
	22.000	22-6C-OD	16"	6	3/4 x 3	64.4	0122006B2	318.95	0122006W2	360.30
24**	24.000	24-5C-OD	12"	5	3/4 x 3	52.1	0124005B2	328.55	0124005W2	366.10
	24.000	24-6C-OD	16"	6	3/4 x 3	68.6	0124006B2	365.10	0124006W2	416.70

- WHEN ORDERING, always give the Code No. and O.D. of the pipe or tube on which coupling will be used.
- Overall height of coupling, including flange, is coupling O.D. plus 2-3/4".
- \*\*Tubing and pipe have same O.D. \*Neoprene

- (1) Same price applies for couplings with red rubber gaskets.
- (2) Stainless steel grounding strips are standard on all couplings. Aluminum grounding strips or couplings without grounding strips available at same price.



## Dual-Purpose Couplings For Tubing And Pipe

When higher pressures or applications requiring greater end-pull capabilities are encountered, these dual-flange couplings are recommended. Gasket is one piece with single row of interlocking teeth as illustrated. The outer shell with flanges and the inner sleeve are two pieces each. Dual-Purpose Couplings slide to position at the joint without removing the bolts ... or may be separated into halves for assembly around the joint.

Tubing or Nom. Pipe (IPS) Size	O.D. Tubing Pipe (A)	Morris Coupling Code	Coupling Length (B)	No. of Bolts	Size of Bolts	Weight Each (lbs.)	LIST PRICE <sup>(2)</sup>			
							BLACK Gasket*		WHITE Gasket*	
							PIC No.	Price <sup>(1)</sup>	PIC No.	Price
20**	20.000	20-5C-OD DP	12"	10	3/4 x 3	54.8	0820005B2	333.25	0820005W2	373.20
	20.000	20-6C-OD DP	16"	12	3/4 x 3	72.9	0820006B2	395.80	0820006W2	443.40
22**	22.000	22-5C-OD DP	12"	10	3/4 x 3	57.8	0822005B2	348.40	0822005W2	400.15
	22.000	22-6C-OD DP	16"	12	3/4 x 3	76.6	0822006B2	438.30	0822006W2	496.60
24**	24.000	24-5C-OD DP	12"	10	3/4 x 3	61.2	0824005B2	383.00	0824005W2	442.35
	24.000	24-6C-OD DP	16"	12	3/4 x 3	81.3	0824006B2	456.95	0824006W2	525.30
26**	26.000	26-5C-OD DP	12"	10	3/4 x 3	64.5	0826005B2	399.90	0826005W2	459.25
	26.000	26-6C-OD DP	16"	12	3/4 x 3	85.8	0826006B2	482.40	0826006W2	553.15
28**	28.000	28-5C-OD DP	12"	10	3/4 x 3	67.8	0828005B2	434.50	0828005W2	493.30
	28.000	28-6C-OD DP	16"	12	3/4 x 3	93.1	0828006B2	524.15	0828006W2	585.10

- WHEN ORDERING, always give the Code No. and O.D. of the pipe or tube on which coupling will be used.
- Dimensions of couplings to outside edges of flanges is coupling O.D. plus 5-1/2".
- \*\*Tubing and pipe have same O.D. \*Neoprene.

All prices shown are F.O.B. Erie, PA – prices subject to change without notice. PRICES FOR SIZES NOT SHOWN WILL BE QUOTED ON REQUEST.

### For Prices and Delivery

Call Toll Free: 1-800-426-1579  
 Toll-Free Fax: 1-800-545-1399  
 E-mail: sales@morriscoupling.com  
 www.morriscoupling.com

 **MORRIS**  
 COUPLING COMPANY  
 2240 W. 15th St., Erie, PA 16505  
 Phone: 814-459-1741



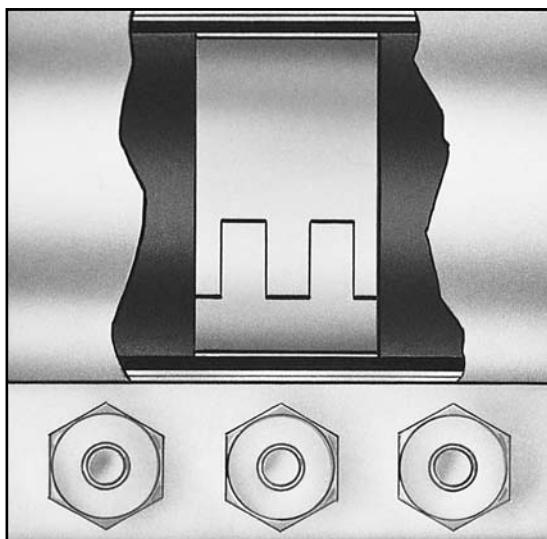
# Compression Couplings with Stainless-Steel Gasket Protectors

**You can eliminate costly downtime and replacement of coupling gaskets in your vacuum conveying system.**

Morris Gasket Protectors provide positive gasket protection against abrasion or corrosion with no adverse effect on Coupling capabilities. They prevent gasket wear which occurs when pipe or tubing ends do not butt completely. This gap is often unavoidable and always undetectable. In vacuum systems, gaskets without Protectors can be drawn into the line enough to cause excessive wear and eventual system leaks. This may result in undesirable contamination of the materials being handled.

Morris Couplings with Gasket Protectors fully eliminate these costly hazards to the effective and economical operation of vacuum conveying systems.

- Are factory assembled – no loose parts.
- Automatically compensate for field installation variations causing exposure of gaskets – prevent pinched gaskets at butt connections.
- Gasket Protectors are of Type 430 stainless steel with interlocking teeth – excellent for protection against abrasion and corrosion.
- For special corrosive applications, specify Teflon Gasket Protectors\*.



Gasket Protectors are for use with Morris Compression Couplings only and are **not recommended for couplings less than 6" long.**

For Couplings with Gasket Protectors in sizes not listed at right, contact the factory.

All shipments are F.O.B. Erie, PA.

Prices subject to change without notice.

**TO ORDER:**

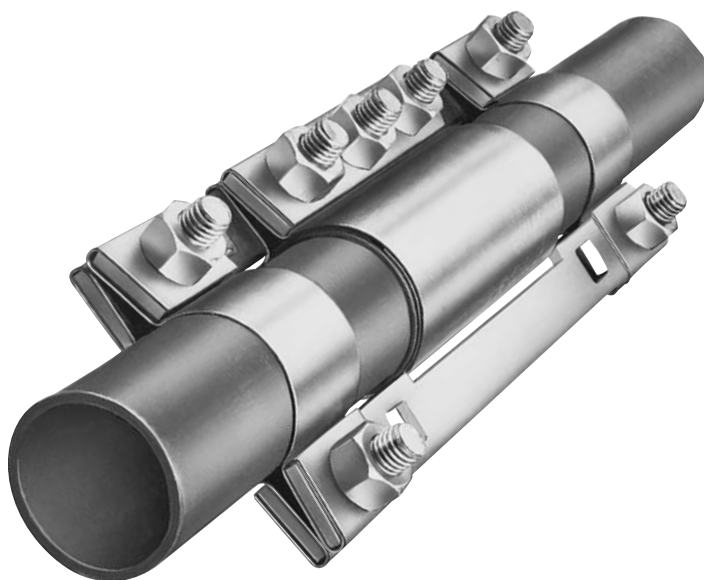
Order by Code No. and O.D. Specify "WITH STAINLESS STEEL GASKET PROTECTOR."

O.D. of Tubing or Pipe Size (in.)	Morris Standard Coupling Code No.	LIST PRICE			
		BLACK Gasket*		WHITE Gasket*	
		PIC No.	Price <sup>(1)</sup>	PIC No.	Price
1.500	1-1/2-3C OD	0101503B3FG	18.00	0101503W3	18.50
	1-1/2-3C	0101903B3	19.20	0101903W3	20.20
	1-3/4-3C OD	0101753B3FG	19.10	0101753W3	19.70
2.000	2-3C OD	0102003B3FG	19.50	0102003W3	20.30
2.187	2-3/16-3C OD	0102183B3FG	20.45	0102183W3	20.90
2.250	2-1/4-3C OD	0102253B3FG	20.65	0102253W3	21.05
2.375	2-3C	0102373B3FG	20.90	0102373W3	22.05
2.500	2-1/2-3C OD	0102503B3FG	21.30	0102503W3	22.60
2.875	2-1/2-3C	0102873B3	22.35	0102873W3	23.25
3.000	3-3C OD	0103003B3FG	22.95	0103003W3	24.70
	3-4C OD	0103004B3	30.35	0103004W3	32.75
3.500	3-3C	0103503B3FG	25.00	0103503W3	27.15
	3-4C	0103504B3	32.20	0103504W3	34.45
4.000	3-1/2-3C	0104003B3FG	27.65	0104003W3	30.25
	3-1/2-4C	0104004B3FG	33.65	0104004W3	36.85
4.500	4-3C	0104503B3FG	30.10	0104503W3	32.50
	4-4C	0104504B3	36.70	0104504W3	40.05
5.000	4-1/2-3C	0105003B3	32.35	0105003W3	34.75
	4-1/2-4C	0105004B3	39.30	0105004W3	43.30
5.563	5-3C	0105563B3	35.10	0105563W3	38.40
	5-4C	0105564B3	43.15	0105564W3	48.25
6.000	6-3C OD	0106003B3	37.15	0106003W3	42.15
	6-4C OD	0106004B3	44.25	0106004W3	49.40
6.625	6-3C	0106623B3	38.65	0106623W3	43.45
	6-4C	0106624B3	47.75	0106624W3	53.95
8.000	8-3C OD	0108003B3	67.80	0108003W3	77.90
	8-4C OD	0108004B3	81.05	0108004W3	90.60
8.625	8-3C	0108623B3	69.10	0108623W3	77.40
	8-4C	0108624B3	82.75	0108624W3	93.10
10.000	10-3C OD	0110003B3	83.50	0110003W3	93.45
	10-4C OD	0110004B3	97.75	0110004W3	110.20
	10-5C OD	0110005B3	112.60	0110005W3	126.35
10.750	10-3C	0110753B3	84.40	0110753W3	94.30
	10-4C	0110754B3	100.20	0110754W3	112.60
	10-5C	0110755B3	117.00	0110755W3	140.90
12.000	12-3C OD	0112003B3	101.65	0112003W3	113.60
	12-4C OD	0112004B3	117.00	0112004W3	130.70
	12-5C OD	0112005B3	136.50	0112005W3	144.25
12.750	12-3C	0112753B3	103.40	0112753W3	115.80
	12-4C	0112754B3	120.10	0112754W3	133.35
	12-5C	0112755B3	140.20	0112755W3	157.05

(1) Same price applies for couplings with red rubber gaskets.

\*Contact factory for prices of couplings with Teflon gasket protectors.

# Side-Band Compression Couplings



The unique design of the Morris Side-Band Compression Coupling provides improved axial-force capability when connecting pipe and tubing. Side-band couplings are especially effective where line vibration is a problem.

The side-band coupling provides all the sealing advantages of the Morris compression coupling while providing enhanced end-pull capability.

Available for 1-1/2" through 24" nominal pipe or tubing sizes. Static grounding strips and stainless-steel gasket protectors also available.

O.D. of Tubing or Pipe (in.)	Morris Coupling Code No.	Wt. Each (lb.)	LIST PRICE <sup>(2)</sup>			
			BLACK Gasket*		WHITE Gasket*	
			PIC No.	Price <sup>(1)</sup>	PIC No.	Price
2.000	2-3C-OD-SB	7.3	3102003B0	74.75	3102003W0	75.60
2.375	2-3C-SB	7.7	3102373B0	76.00	3102373W0	76.80
2.500	2-1/2-3C-OD-SB	8.1	3102503B0	76.80	3102503W0	77.90
2.875	2-1/2-3C-SB	8.7	3102873B0	78.85	3102873W0	79.90
3.000	3-3C-OD-SB	9.2	3103003B0	80.80	3103003W0	82.50
	3-4C-OD-SB	10.1	3103004B0	88.35	3103004W0	90.85
3.500	3-3C-SB	9.8	3103503B0	82.50	3103503W0	84.40
	3-4C-SB	10.7	3103504B0	91.40	3103504W0	93.40
4.000	3-1/2-3C-SB	10.3	3104003B0	84.75	3104003W0	87.15
	3-1/2-4C-SB	12.9	3104004B0	94.30	3104004W0	97.10
4.500	4-3C-SB	10.7	3104503B0	86.40	3104503W0	88.80
	4-4C-SB	13.4	3104504B0	95.70	3104504W0	98.85
5.000	4-1/2-3C-SB	11.4	3105003B0	87.70	3105003W0	90.75
	4-1/2-4C-SB	14.1	3105004B0	98.35	3105004W0	102.25
5.563	5-3C-SB	12.3	3105563B0	89.30	3105563W0	92.60
	5-4C-SB	15.0	3105564B0	100.90	3105564W0	106.00

O.D. of Tubing or Pipe (in.)	Morris Coupling Code No.	Wt. Each (lb.)	LIST PRICE <sup>(2)</sup>			
			BLACK Gasket*		WHITE Gasket*	
			PIC No.	Price <sup>(1)</sup>	PIC No.	Price
6.000	6-3C-OD-SB	12.5	3106003B0	91.15	3106003W0	95.20
	6-4C-OD-SB	15.6	3106004B0	102.25	3106004W0	106.90
6.625	6-3C-SB	13.5	3106623B0	92.40	3106623W0	97.40
	6-4C-SB	16.9	3106624B0	103.90	3106624W0	109.75
8.000	8-3C-OD-SB	24.8	3108003B0	133.35	3108003W0	140.75
	8-4C-OD-SB	28.5	3108004B0	152.15	3108004W0	161.40
8.625	8-3C-SB	25.6	3108623B0	136.20	3108623W0	144.75
	8-4C-SB	29.8	3108624B0	155.30	3108624W0	165.95
10.000	10-3C-OD-SB	29.2	3110003B0	146.80	3110003W0	156.60
	10-4C-OD-SB	33.5	3110004B0	171.95	3110004W0	179.60
10.750	10-3C-SB	28.1	3110753B0	150.25	3110753W0	160.80
	10-4C-SB	32.0	3110754B0	174.30	3110754W0	186.60
12.000	12-3C-OD-SB	32.1	3112003B0	168.15	3112003W0	177.40
	12-4C-OD-SB	37.0	3112004B0	193.15	3112004W0	206.15
12.750	12-3C-SB	32.7	3112753B0	172.90	3112753W0	182.85
	12-4C-SB	37.9	3112754B0	197.70	3112754W0	210.70

(1) Same price applies for couplings with red rubber gaskets.

(2) Stainless steel or aluminum grounding strips are available at same price.

\*Neoprene

- WHEN ORDERING, always give the Code No. and O.D. of the pipe or tube on which coupling will be used.
- Contact factory for prices of couplings with Teflon gasket protectors.
- Prices for larger and/or special sizes available on request.

**Note: For Side-Band coupling length, add 8 inches to basic coupling length.**

## For Prices and Delivery

Call Toll Free: 1-800-426-1579

Toll-Free Fax: 1-800-545-1399

E-mail: [sales@morriscoupling.com](mailto:sales@morriscoupling.com)

[www.morriscoupling.com](http://www.morriscoupling.com)



2240 W. 15th St., Erie, PA 16505  
Phone: 814-459-1741

# Replacement Gaskets

## Gaskets For Compression Couplings For Tubing and Pipe

Tubing or Pipe Size	O.D. Tubing Pipe	Morris Coupling Code No.	LIST PRICE			
			BLACK Gasket*		WHITE Gasket*	
			PIC No.	Price <sup>(1)</sup>	PIC No.	Price
1/2" Pipe	.840	1/2-2C	3500842B0	1.80	3500842W0	2.20
3/4" Pipe	1.050	3/4-2C	3501052B0	2.20	3501052W0	2.50
1" Tubing	1.000	1-2C-OD	3501002B0	2.80	3501002W0	3.15
1" Pipe	1.315	1-2C	3501312B0	3.05	3501312W0	3.55
1-1/4" Tubing	1.250	1-1/4-2C-OD	3501252B0	2.90	3501252W0	3.45
1-1/4" Pipe	1.660	1-1/4-2C	3501662B0	3.15	3501662W0	3.95
	1.660	1-1/4-3C	3501663B0	4.20	3501663W0	4.85
1-1/2" Tubing	1.500	1-1/2-2C-OD	3501502B0	3.15	3501502W0	3.55
	1.500	1-1/2-3C-OD	3501503B0	4.20	3501503W0	4.85
1-1/2" Pipe	1.900	1-1/2-2C	3501902B0	3.45	3501902W0	4.20
	1.900	1-1/2-3C	3501903B0	4.70	3501903W0	5.25
1-3/4" Tubing	1.750	1-3/4-2C-OD	3501752B0	3.45	3501752W0	3.95
	1.750	1-3/4-3C-OD	3501753B0	4.20	3501753W0	5.25
2" Tubing	2.000	2-2C-OD	3502002B0	3.55	3502002W0	4.20
	2.000	2-3C-OD	3502003B0	4.70	3502003W0	5.55
2" Pipe	2.375	2-2C	3502372B0	4.20	3502372W0	4.85
	2.375	2-3C	3502373B0	4.85	3502373W0	5.95
	2.375	2-4C	3502374B0	5.95	3502374W0	8.05
2-1/8" Tubing	2.125	2-1/8-2C-OD	3502122B0	3.95	3502122W0	4.70
	2.125	2-1/8-3C-OD	3502123B0	4.70	3502123W0	5.55
2-3/16" Tubing	2.187	2-3/16-2C-OD	3502182B0	4.20	3502182W0	4.85
	2.187	2-3/16-3C-OD	3502183B0	4.85	3502183W0	5.80
2-1/4" Tubing	2.250	2-1/4-2C-OD	3502252B0	4.20	3502252W0	4.85
	2.250	2-1/4-3C-OD	3502253B0	4.85	3502253W0	5.95
2-1/2" Tubing	2.500	2-1/2-2C-OD	3502502B0	4.20	3502502W0	5.25
	2.500	2-1/2-3C-OD	3502503B0	5.55	3502503W0	7.00
2-1/2" Pipe	2.875	2-1/2-2C	3502872B0	4.85	3502872W0	5.55
	2.875	2-1/2-3C	3502873B0	5.95	3502873W0	7.40
	2.875	2-1/2-4C	3502874B0	7.65	3502874W0	8.25
2-3/4" Tubing	2.750	2-3/4-3C-OD	3502753B0	5.55	3502753W0	7.40
3" Tubing	3.000	3-2C-OD	3503002B0	5.25	3503002W0	6.50
	3.000	3-3C-OD	3503003B0	6.50	3503003W0	7.65
	3.000	3-4C-OD	3503004B0	8.05	3503004W0	9.40
3" Pipe	3.500	3-2C	3503502B0	5.55	3503502W0	7.00
	3.500	3-3C	3503503B0	7.00	3503503W0	8.45
	3.500	3-4C	3503504B0	8.25	3503504W0	10.00
3-1/4" Tubing	3.250	3-1/4-2C-OD	3503252B0	5.55	3503252W0	6.50
	3.250	3-1/4-3C-OD	3503253B0	6.50	3503253W0	8.05
	3.250	3-1/4-4C-OD	3503254B0	8.25	3503254W0	10.00
3-1/2" Tubing	3.500	3-2C	3503502B0	5.55	3503502W0	7.00
	3.500	3-3C	3503503B0	7.00	3503503W0	8.45
	3.500	3-4C	3503504B0	8.25	3503504W0	10.00

(1) Same price applies for couplings with red rubber gaskets.

\* Neoprene

- Prices of other types of gasket material or for sizes not shown are available on request.
- All shipments F.O.B. Erie, PA.
- Prices subject to change without notice.

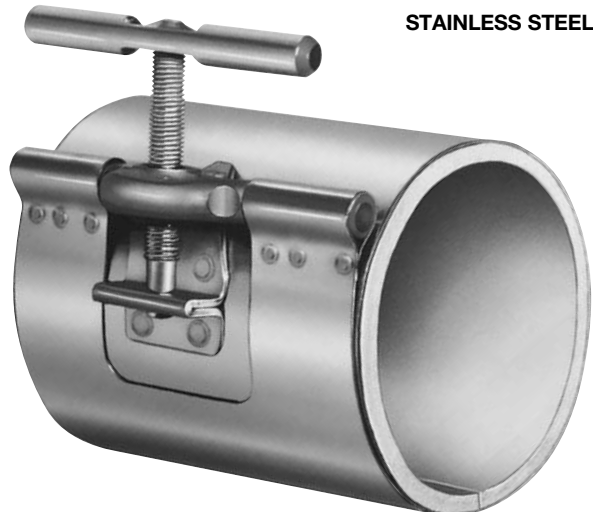
### How To Order:

1. Specify: "REPLACEMENT GASKETS for Morris Compression Couplings."
2. Give coupling code number and O.D. of pipe or tube.
3. Give the length of original coupling (or number of bolts).
4. Specify material: Black or white neoprene, red rubber.
5. If you require grounding strips, specify aluminum or stainless steel.

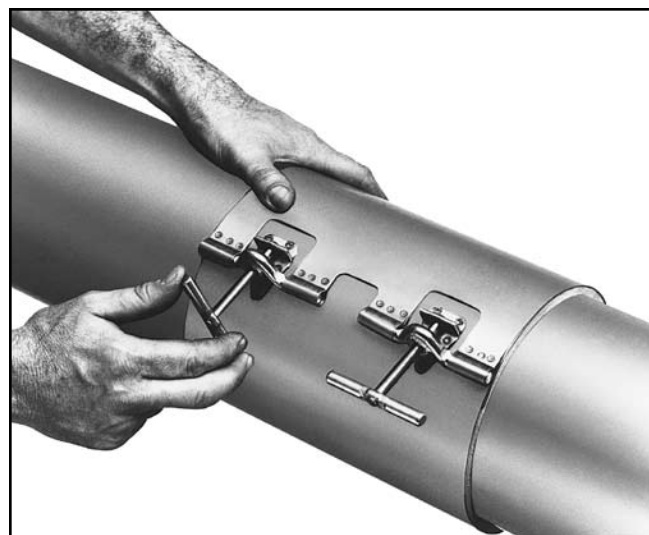
Tubing or Pipe Size	O.D. Tubing Pipe	Morris Coupling Code No.	LIST PRICE			
			BLACK Gasket*		WHITE Gasket*	
			PIC No.	Price <sup>(1)</sup>	PIC No.	Price
3-1/2" Pipe	4.000	3-1/2-2C	3504002B0	5.95	3504002W0	7.65
	4.000	3-1/2-3C	3504003B0	7.65	3504003W0	9.15
	4.000	3-1/2-4C	3504004B0	10.00	3504004W0	12.10
3-3/4" Tubing	3.750	3-3/4-3C-OD	3503753B0	7.40	3503753W0	8.75
	3.750	3-3/4-4C-OD	3503754B0	8.75	3503754W0	10.80
4" Tubing	4.000	3-1/2-2C	3504002B0	5.95	3504002W0	7.65
	4.000	3-1/2-3C	3504003B0	7.65	3504003W0	9.15
	4.000	3-1/2-4C	3504004B0	10.00	3504004W0	12.10
4" Pipe	4.500	4-2C	3504502B0	6.50	3504502W0	8.25
	4.500	4-3C	3504503B0	8.25	3504503W0	10.30
	4.500	4-4C	3504504B0	10.80	3504504W0	13.20
	4.500	4-4C	3504504B0	10.80	3504504W0	13.20
4-1/4" Tubing	4.250	4-1/4-3C-OD	3504253B0	8.25	3504253W0	10.00
	4.250	4-1/4-4C-OD	3504254B0	9.40	3504254W0	12.50
4-1/2" Tubing	4.500	4-2C	3504502B0	6.50	3504502W0	8.25
	4.500	4-3C	3504503B0	8.25	3504503W0	10.30
	4.500	4-4C	3504504B0	10.80	3504504W0	13.20
4-1/2" Pipe	5.000	4-1/2-2C	3505002B0	7.00	3505002W0	8.45
	5.000	4-1/2-3C	3505003B0	8.65	3505003W0	10.80
	5.000	4-1/2-4C	3505004B0	11.70	3505004W0	15.60
4-3/4" Tubing	4.750	4-3/4-3C-OD	3504753B0	8.45	3504753W0	10.45
	4.750	4-3/4-4C-OD	3504754B0	11.50	3504754W0	13.65
5" Tubing	5.000	4-1/2-2C	3505002B0	7.00	3505002W0	8.45
	5.000	4-1/2-3C	3505003B0	8.65	3505003W0	10.80
	5.000	4-1/2-4C	3505004B0	11.70	3505004W0	15.60
5" Pipe	5.563	5-2C	3505562B0	8.05	3505562W0	8.75
	5.563	5-3C	3505563B0	9.40	3505563W0	12.75
	5.563	5-4C	3505564B0	13.20	3505564W0	16.60
5-1/4" Tubing	5.250	5-1/4-3C-OD	3505253B0	8.90	3505253W0	12.50
5-1/2" Tubing	5.500	5-1/2-3C-OD	3505503B0	9.15	3505503W0	13.20
	5.500	5-1/2-4C-OD	3505504B0	12.75	3505504W0	17.20
5-3/4" Tubing	5.750	5-3/4-3C-OD	3505753B0	10.00	3505753W0	12.90
	5.750	5-3/4-4C-OD	3505754B0	12.90	3505754W0	18.30
6" Tubing	6.000	6-2C-OD	3506002B0	8.25	3506002W0	9.40
	6.000	6-3C-OD	3506003B0	10.45	3506003W0	13.85
	6.000	6-4C-OD	3506004B0	13.65	3506004W0	18.30
	6.000	6-5C-OD	3506005B0	16.30	3506005W0	21.10
	6.000	6-5C-OD	3506005B0	16.30	3506005W0	21.10
6" Pipe	6.625	6-2C	3506622B0	8.75	3506622W0	11.50
	6.625	6-3C	3506623B0	11.50	3506623W0	14.35
	6.625	6-4C	3506624B0	14.35	3506624W0	20.40
	6.625	6-5C	3506625B0	17.20	3506625W0	23.00
	6.625	6-5C	3506625B0	17.20	3506625W0	23.00
6-1/4" Tubing	6.250	6-1/4-3C-OD	3506253B0	10.80	3506253W0	14.35
	6.250	6-1/4-4C-OD	3506254B0	13.85	3506254W0	19.40
6-1/2" Tubing	6.500	6-1/2-3C-OD	3506503B0	11.50	3506503W0	15.40
	6.500	6-1/2-4C-OD	3506504B0	13.85	3506504W0	20.10
6-3/4" Tubing	6.750	6-3/4-3C-OD	3506753B0	11.50	3506753W0	16.00
	6.750	6-3/4-4C-OD	3506754B0	14.35	3506754W0	20.40
7" Tubing	7.000	7-3C-OD	3507003B0	11.70	3507003W0	16.40
	7.000	7-4C-OD	3507004B0	15.40	3507004W0	21.25
	7.000	7-5C-OD	3507005B0	18.30	3507005W0	24.30
7-1/4" Tubing	7.250	7-1/4-3C-OD	3507253B0	12.50	3507253W0	17.00
7-1/2" Tubing	7.500	7-1/2-3C-OD	3507503B0	12.75	3507503W0	17.75
	7.500	7-1/2-4C-OD	3507504B0	16.30	3507504W0	22.45
7-3/4" Tubing	7.750	7-3/4-3C-OD	3507753B0	12.90	3507753W0	18.30
8" Tubing	8.000	8-2C-OD	3508002B0	14.35	3508002W0	18.65
	8.000	8-3C-OD	3508003B0	18.30	3508003W0	24.30
	8.000	8-4C-OD	3508004B0	22.30	3508004W0	29.45
	8.000	8-5C-OD	3508005B0	25.35	3508005W0	33.30
	8.000	8-5C-OD	3508005B0	25.35	3508005W0	33.30
8" Pipe	8.625	8-2C	3508622B0	15.40	3508622W0	21.10
	8.625	8-3C	3508623B0	19.40	3508623W0	26.00
	8.625	8-4C	3508624B0	23.00	3508624W0	30.70
	8.625	8-5C	3508625B0	27.10	3508625W0	37.90
	8.625	8-5C	3508625B0	27.10	3508625W0	37.90
9" Tubing	9.000	9-3C-OD	3509003B0	20.00	3509003W0	27.65
	9.000	9-4C-OD	3509004B0	23.85	3509004W0	31.30
10" Tubing	10.000	10-3C-OD	3510003B0	21.50	3510003W0	29.65
	10.000	10-4C-OD	3510004B0	23.95	3510004W0	32.70
	10.000	10-5C-OD	3510005B0	29.45	3510005W0	38.55
10" Pipe	10.750	10-3C	3510753B0	22.45	3510753W0	32.55
	10.750	10-4C	3510754B0	25.35	3510754W0	35.00
	10.750	10-5C	3510755B0	30.15	3510755W0	41.70
12" Tubing	12.000	12-3C-OD	3512003B0	26.00	3512003W0	35.30
	12.000	12-4C-OD	3512004B0	28.75	3512004W0	37.90
	12.000	12-5C-OD	3512005B0	32.70	3512005W0	43.50
12" Pipe	12.750	12-3C	3512753B0	27.25	3512753W0	37.90
	12.750	12-4C	3512754B0	30.05	3512754W0	41.15
	12.750	12-5C	3512755B0	34.55	3512755W0	46.70



# Quickon II Couplers



STAINLESS STEEL



## FOR PNEUMATIC OR VACUUM CONVEYING SYSTEMS

**Morris Quickon II Couplers** can be installed or removed with a twist of the wrist. No tools or special skills needed. The positive-locking system turns easily to seal or to compensate for normal O.D. pipe or tubing tolerances.

This in-line Coupler is ideal for use where fast takedown and reassembly of lines is essential; reduced coupler weight is desirable; a line or system is frequently modified or wrap-around installation is necessary.

### QUICKON II COUPLER

O.D. Size (in.)	Code No.	Wt. (lbs.)	LIST PRICE	
			Food-Grade Gum Gasket	
			PIC No.	Price
1.500	1501	.58	2401501G2	27.05
1.660	1661	.60	2401661G2	27.65
1.750	1751	.62	2401751G2	28.15
1.900	1901	.65	2401901G2	28.70
2.000	2001	.68	2402001G2FG	29.40
2.125	2121	.70	2402121G2	30.00
2.250	2251	.71	2402251G2	30.60
2.375	2371	.74	2402371G2	31.70
2.500	2501	.77	2402501G2FG	32.45
2.750	2751	.80	2402751G2	34.10
2.875	2871	.84	2402871G2	34.85
3.000	3001	.88	2403001G2FG	35.90
3.250	3251	.97	2403251G2	37.20
3.500	3501	1.06	2403501G2FG	39.35
3.750	3751	1.15	2403751G2	40.95
4.000	4001	1.25	2404001G2FG	42.80
4.250	4251	1.32	2404251G2	44.35
4.500	4501	1.40	2404501G2FG	45.15
5.000	5001	1.55	2405001G2FG	47.25
5.563	5561	1.63	2405561G2	50.85
6.000	6001	1.72	2406001G2FG	53.60
6.250	6251	1.78	2406251G2	55.80
6.625	6621	1.82	2406621G2	57.00
8.000	8001	2.25	2408001G2FG	72.15
8.625	8621	2.38	2408621G2	79.50
9.000	9001	2.45	2409001G2	88.45
10.000	10001	2.65	2410001G2	95.20

STANDARD QUICKON II COUPLERS LISTED ARE 4" IN LENGTH.

### DUAL QUICKON II COUPLER

O.D. Size (in.)	Code No.	LIST PRICE	
		Food-Grade Gum Gasket	
		PIC No.	Price
4.000	2-4001	2804002G2	76.25
4.500	2-4501	2804502G2	82.55
5.000	2-5001	2805002G2	86.70
6.000	2-6001	2806002G2	94.30
6.625	2-6621	2806622G2	99.70
8.000	2-8001	2808002G2	113.40
8.625	2-8621	2808622G2	118.75
10.000	2-10001	2810002G2	132.95
10.750	2-10751	2810752G2	142.55
12.000	2-12001	2812002G2	150.20
12.750	2-12751	2812752G2	167.80

DUAL QUICKON II COUPLERS LISTED ARE 9-1/2" IN LENGTH.

#### Specifications

All stainless-steel construction including band, strike plate, handle screw and yoke. Gasket is abrasion-resistant, gum rubber attached to band. Static-conducting grounding strip included on request.

Order by O.D. Size, Code No., and Gasket.

Request prices on special sizes not shown.

Prices subject to change without notice.

#### For Prices and Delivery

Call Toll Free: 1-800-426-1579

Toll-Free Fax: 1-800-545-1399

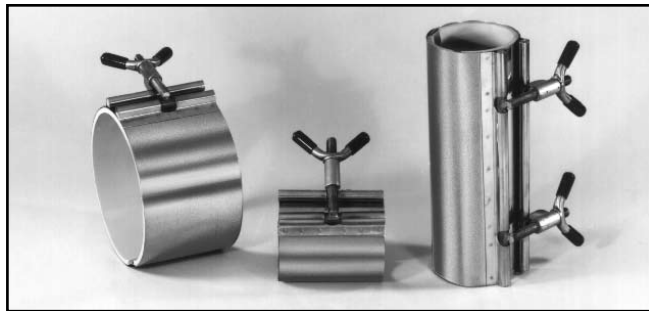
E-mail: sales@morriscoupling.com

www.morriscoupling.com



2240 W. 15th St., Erie, PA 16505  
Phone: 814-459-1741

# Morris Gripper™ Couplers



The GRIPPER was devised as a quick coupler for dry, bulk transport, tank tubing. This unique coupling just slides onto the tubing or wraps around it and is tightened by hand in seconds, but it provides better support than rubber hose and band clamps. The GRIPPER's positive-sealing gum gaskets allow for tube and pipe variations. And, because it's made of 100% stainless steel, it will not corrode due to harsh weather or road conditions. Silicone gaskets that comply with applicable FDA requirements are available upon request.

## Single Wingnut Coupler

A O.D. Size (in.)	Code No.	Wt. (lbs.)	LIST PRICE	
			Food-Grade Gum Gasket	
			Gripper PIC No.	Gripper Price
1.500	1501	0.58	2401501G2MB	29.75
1.660	1661	0.60	2401661G2MB	30.50
1.750	1751	0.62	2401751G2MB	30.60
1.900	1901	0.65	2401901G2MB	31.70
2.000	2001	0.68	2402001G2FGMB	32.45
2.125	2121	0.70	2402121G2MB	33.10
2.250	2251	0.71	2402251G2MB	33.75
2.375	2371	0.74	2402371G2MB	34.95
2.500	2501	0.77	2402501G2FGMB	35.90
2.750	2751	0.80	2402751G2MB	37.70
2.875	2871	0.84	2402871G2MB	38.25
3.000	3001	0.88	2403001G2FGMB	39.50
3.250	3251	0.97	2403251G2MB	40.95
3.500	3501	1.06	2403501G2FGMB	43.10
3.750	3751	1.15	2403751G2MB	45.05
4.000	4001	1.25	2404001G2FGMB	46.90
4.250	4251	1.32	2404251G2MB	48.75
4.500	4501	1.40	2404501G2FGMB	49.85
5.000	5001	1.55	2405001G2FGMB	52.05
5.563	5561	1.63	2405561G2MB	55.95
6.000	6001	1.72	2406001G2FGMB	59.10
6.250	6251	1.78	2406251G2MB	61.45
6.625	6621	1.82	2406621G2MB	62.70
8.000	8001	2.25	2408001G2FGMB	79.50
8.625	8621	2.38	2408621G2MB	87.50
9.000	9001	2.45	2409001G2MB	97.50
10.000	10001	2.65	2410001G2MB	105.00

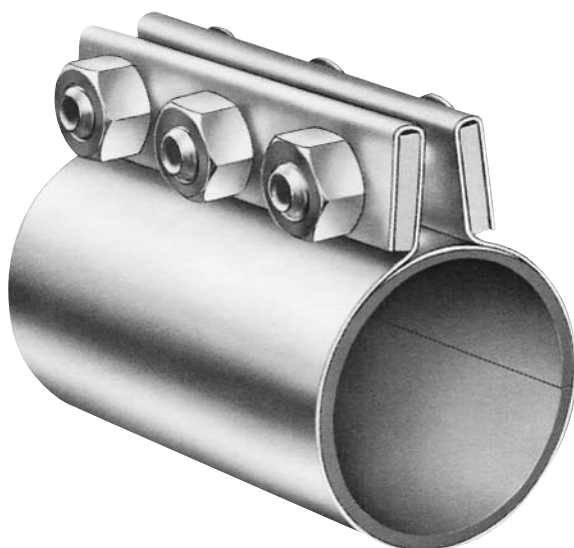


## Double Wingnut Coupler

B O.D. Size (in.)	Code No.	LIST PRICE	
		Food-Grade Gum Gasket	
		Gripper PIC No.	Gripper Price
4.000	2-4001	2804002G2MB	83.95
4.500	2-4501	2804502G2MB	90.90
5.000	2-5001	2805002G2MB	95.60
6.000	2-6001	2806002G2MB	103.90
6.625	2-6621	2806622G2MB	109.90
8.000	2-8001	2808002G2MB	124.65
8.625	2-8621	2808622G2MB	130.70
10.000	2-10001	2810002G2MB	146.30
10.750	2-10751	2810752G2MB	156.90
12.000	2-12001	2812002G2MB	164.30
12.750	2-12751	2812752G2MB	184.70



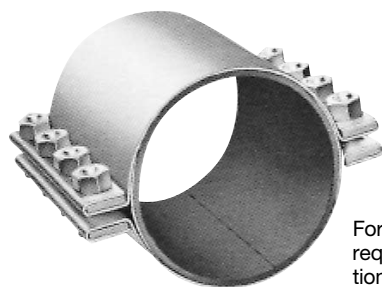
# All (A) Round Stainless-Steel Couplings/Repair Clamps



- **To Join System Piping**
- **To Repair Piping**

This spanner-type combination coupling and repair clamp offers many advantages. It is quickly and easily installed by slipping on, or wrapping around, the pipe. This is because the spanner and gasket are permanently attached to the band, creating, in effect, a one-piece coupling/clamp. The thick, resilient, Neoprene gasket assures a positive butt-joint seal. It accommodates surface variations such as encountered in cast iron and fiberglass piping. The spanner design eliminates the need for a separate inner sleeve. The stainless steel All (A) Round Coupling/Repair Clamp offers a lightweight and economical unit which is strong and durable.

Nom. Pipe Size	Morris Code No.	Length	No. of Bolts	Size of Bolts	Gasket Thickness	LIST PRICE COMPLETE		
						With Carbon Steel Zinc Plated Bolts		With #304 Stainless Bolts
						PIC No.	Price	Price
2"	2 x 6-IP	6"	3	1/2 x 1-3/4	1/8"	8102373B0	56.55	<b>O N R E Q U E S T</b>
	2 x 8-IP	8"	4	1/2 x 1-3/4	1/8"	8102374B0	66.05	
	2 x 10-IP	10"	5	1/2 x 1-3/4	1/8"	8102375B0	76.75	
	2 x 12-IP	12"	6	1/2 x 1-3/4	1/8"	8102376B0	89.15	
3"	3 x 6-IP	6"	3	5/8 x 2	3/16"	8103503B0	69.90	
	3 x 8-IP	8"	4	5/8 x 2	3/16"	8103504B0	80.60	
	3 x 10-IP	10"	5	5/8 x 2	3/16"	8103505B0	93.50	
	3 x 12-IP	12"	6	5/8 x 2	3/16"	8103506B0	105.55	
4"	4 x 6-IP	6"	3	5/8 x 2	3/16"	8104503B0FG	78.55	
	4 x 8-IP	8"	4	5/8 x 2	3/16"	8104504B0FG	89.90	
	4 x 10-IP	10"	5	5/8 x 2	3/16"	8104505B0	113.50	
	4 x 12-IP	12"	6	5/8 x 2	3/16"	8104506B0	136.60	
6"	6 x 6-IP	6"	3	5/8 x 2	1/4"	8106623B0FG	101.20	
	6 x 8-IP	8"	4	5/8 x 2	1/4"	8106624B0FG	113.25	
	6 x 10-IP	10"	5	5/8 x 2	1/4"	8106625B0	141.85	
	6 x 12-IP	12"	6	5/8 x 2	1/4"	8106626B0	169.95	
8"	8 x 6-IP	6"	2	3/4 x 3	1/4"	8108622B0	152.20	
	8 x 8-IP	8"	3	3/4 x 3	1/4"	8108623B0FG	164.55	
	8 x 10-IP	10"	4	3/4 x 3	1/4"	8108624B0	193.60	
	8 x 12-IP	12"	5	3/4 x 3	1/4"	8108625B0	224.65	
	8 x 16-IP	16"	6	3/4 x 3	1/4"	8108626B0	313.90	
	8 x 8-IP	8"	3	3/4 x 3	1/4"	8110753B0	182.45	
10"	10 x 10-IP	10"	4	3/4 x 3	1/4"	8110754B0	217.70	
	10 x 12-IP	12"	5	3/4 x 3	1/4"	8110755B0	249.30	
	10 x 16-IP	16"	6	3/4 x 3	1/4"	8110756B0	353.00	
	10 x 8-IP	8"	3	3/4 x 3	1/4"	8110753B0	182.45	
12"	12 x 8-IP	8"	3	3/4 x 3	1/4"	8112753B0	202.20	
	12 x 10-IP	10"	4	3/4 x 3	1/4"	8112754B0	231.60	
	12 x 12-IP	12"	5	3/4 x 3	1/4"	8112755B0	276.15	
	12 x 16-IP	16"	6	3/4 x 3	1/4"	8112756B0	392.90	



For nominal pipe sizes over 12", request prices and specifications for Morris Double-Spanner Combination Couplings/Repair Clamps.

### Specifications:

Band and spanner 304 stainless steel.  
Butt joint Neoprene gasket.  
Bar washers zinc-plated steel.  
Carriage-type bolts and heavy hex nuts are zinc-plated carbon steel or 304 stainless steel.  
For other materials to meet special needs, consult factory.

### To Order:

Order by pipe size and Morris Code Number PLUS outside diameter and kind of pipe or duct. THIS IS IMPORTANT TO YOU. Failure to do this will result in delay in shipping your order until we have this information.  
All shipments F.O.B. Erie, PA.  
Prices subject to change without notice.

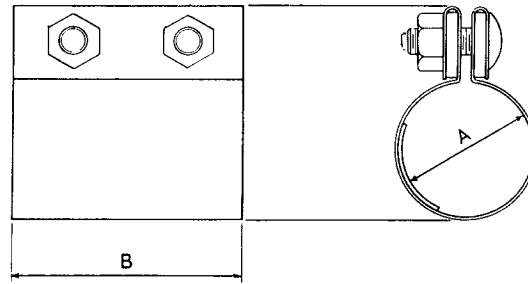
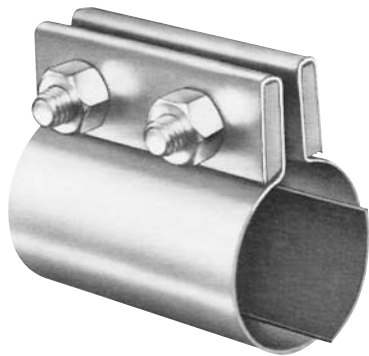
### For Prices and Delivery

Call Toll Free: 1-800-426-1579  
Toll-Free Fax: 1-800-545-1399  
E-mail: sales@morriscoupling.com  
www.morriscoupling.com



2240 W. 15th St., Erie, PA 16505  
Phone: 814-459-1741

# Single-Type Repair Clamp



The **Morris Single-Type Repair Clamp** is suitable for the quick repair of minor leaks in all types of pipe. It consists of an outer shell of zinc-plated steel, together with a single-strip neoprene gasket. When other than steel clamps and neoprene gaskets are required, specifications should be stated on special order. Prices on other than stock sizes are available on request.

Nominal Pipe Size (I.P.S.)	O.D. of Pipe (A) (in.)	Morris Clamp Code No.	Clamp Length (B)	No. of Bolts	Size of Bolts	Weight (lbs.)	LIST PRICE	
							BLACK Gasket*	
							PIC No.	Price
1/2"	.840	1/2-2S	2"	2	5/16 x 1-1/4	.41	2000842B0	25.55
	1.050	3/4-2S	2"	2	5/16 x 1-1/4	.45	2001051B0	25.85
1"	1.315	1-1S	2"	1	1/2 x 1-3/4	.62	2001311B0	7.40
	1.315	1-2S	4"	2	1/2 x 1-3/4	1.2	2001312B0	9.85
1-1/4"	1.660	1-1/4-1S	2"	1	1/2 x 1-3/4	.75	2001661B0	8.50
	1.660	1-1/4-2S	4"	2	1/2 x 1-3/4	1.5	2001662B0	10.10
1-1/2"	1.900	1-1/2-1S	2"	1	1/2 x 1-3/4	.83	2001901B0	8.70
	1.900	1-1/2-2S	4"	2	1/2 x 1-3/4	1.6	2001902B0	10.50
2"	2.375	2-1S	2"	1	1/2 x 1-3/4	1.3	2002371B0	9.15
	2.375	2-2S	4"	2	1/2 x 1-3/4	2.2	2002372B0	11.10
	2.375	2-3S	6"	3	1/2 x 1-3/4	3.0	2002373B0	14.20
	2.375	2-4S	8"	4	1/2 x 1-3/4	4.1	2002374B0	16.80
2-1/2"	2.875	2-1/2-1S	2"	1	1/2 x 1-3/4	1.5	2002871B0	9.45
	2.875	2-1/2-2S	4"	2	1/2 x 1-3/4	2.3	2002872B0	12.25
	2.875	2-1/2-3S	6"	3	1/2 x 1-3/4	3.2	2002873B0	15.65
	2.875	2-1/2-4S	8"	4	1/2 x 1-3/4	4.4	2002874B0	19.15
3"	3.500	3-1S	2"	1	5/8 x 2	1.6	2003501B0	9.75
	3.500	3-2S	4"	2	5/8 x 2	2.5	2003502B0	13.70
	3.500	3-3S	6"	3	5/8 x 2	3.3	2003503B0	17.55
	3.500	3-4S	8"	4	5/8 x 2	4.6	2003504B0	20.30
3-1/2"	4.000	3-1/2-2S	4"	2	5/8 x 2	2.7	2004002B0	14.20
	4.000	3-1/2-3S	6"	3	5/8 x 2	3.5	2004003B0	18.60
	4.000	3-1/2-4S	8"	4	5/8 x 2	4.8	2004004B0	21.20
4"	4.500	4-2S	4"	2	5/8 x 2	2.9	2004502B0	15.80
	4.500	4-3S	6"	3	5/8 x 2	3.9	2004503B0	20.10
	4.500	4-4S	8"	4	5/8 x 2	5.1	2004504B0	24.45
5"	5.563	5-2S	4"	2	5/8 x 2	3.1	2005562B0	18.35
	5.563	5-3S	6"	3	5/8 x 2	4.2	2005563B0	22.15
	5.563	5-4S	8"	4	5/8 x 2	5.5	2005564B0	26.80
6"	6.625	6-2S	4"	2	5/8 x 2	3.4	2006622B0	21.20
	6.625	6-3S	6"	3	5/8 x 2	4.9	2006623B0	25.85
	6.625	6-4S	8"	4	5/8 x 2	6.4	2006624B0	31.25
8"	8.625	8-2S	6"	2	3/4 x 3	6.7	2008622B0	44.75
	8.625	8-3S	8"	3	3/4 x 3	9.6	2008623B0	58.00
	8.625	8-4S	10"	4	3/4 x 3	11.2	2008624B0	71.30
	8.625	8-5S	12"	5	3/4 x 3	13.6	2008625B0	84.80
10"	10.750	10-2S	6"	2	3/4 x 3	7.2	2010752B0	51.95
	10.750	10-3S	8"	3	3/4 x 3	10.7	2010753B0	65.25
	10.750	10-4S	10"	4	3/4 x 3	14.1	2010754B0	78.55
	10.750	10-5S	12"	5	3/4 x 3	17.9	2010755B0	92.45
12"	12.750	12-2S	6"	2	3/4 x 3	8.1	2012752B0	59.15
	12.750	12-3S	8"	3	3/4 x 3	11.6	2012753B0	72.35
	12.750	12-4S	10"	4	3/4 x 3	15.0	2012754B0	85.40
	12.750	12-5S	12"	5	3/4 x 3	18.8	2012755B0	99.50
14"	14.000	14-2S	6"	2	3/4 x 3	9.0	2014002B0	66.45
	14.000	14-3S	8"	3	3/4 x 3	12.5	2014003B0	79.10
	14.000	14-4S	10"	4	3/4 x 3	15.9	2014004B0	92.95
	14.000	14-5S	12"	5	3/4 x 3	19.7	2014005B0	106.30

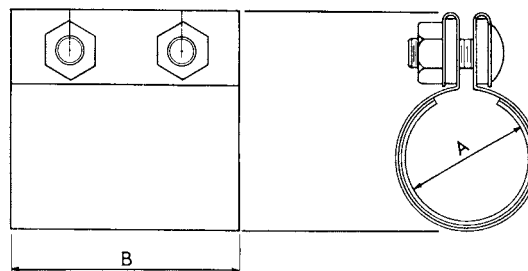
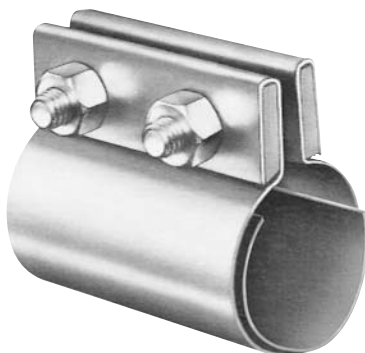
All shipments F.O.B. Erie, PA

Prices subject to change without notice.

\*Neoprene



# Double-Type Repair Clamp



The Morris Double-Type Repair Clamp is suitable for use on all classifications of piping repair work. It contains an inner sleeve as well as a gasket that covers two-thirds of the circumference of the pipe; may be used individually or in series.

Shell and sleeve are of heavy, zinc-plated steel – gasket is black neoprene. Other materials available on special order. Request prices on sizes not listed.

Nominal Pipe Size (I.P.S.)	O.D. of Pipe (A) (in.)	Morris Clamp Code No.	Clamp Length (B)	No. of Bolts	Size of Bolts	Weight (lbs.)	LIST PRICE	
							BLACK Gasket*	
							PIC No.	Price
1/2"	.840	1/2-2D	2"	2	5/16 x 1-1/4	.5	2100842B0	32.65
	1.050	3/4-2D	2"	2	5/16 x 1-1/4	.54	2101052B0	32.75
1"	1.315	1-2D	4"	2	1/2 x 1-3/4	1.6	2101312B0	13.70
	1.600	1-1/4-2D	4"	2	1/2 x 1-3/4	1.7	2101602B0	14.10
	1.900	1-1/2-2D	4"	2	1/2 x 1-3/4	1.8	2101902B0	14.20
2"	2.375	2-2D	4"	2	1/2 x 1-3/4	2.3	2102372B0	15.50
	2.375	2-3D	6"	3	1/2 x 1-3/4	3.3	2102373B0	19.35
	2.375	2-4D	8"	4	1/2 x 1-3/4	4.6	2102374B0	23.60
		2-1/2-2D	4"	2	1/2 x 1-3/4	3.6	2102872B0	16.80
2-1/2"	2.875	2-1/2-3D	6"	3	1/2 x 1-3/4	3.8	2102873B0	21.20
	2.875	2-1/2-4D	8"	4	1/2 x 1-3/4	5.0	2102874B0	25.55
		3"	3-2D	4"	2	5/8 x 2	2.9	2103502B0
3"	3.500	3-3D	6"	3	5/8 x 2	4.2	2103503B0	23.25
	3.500	3-4D	8"	4	5/8 x 2	5.6	2103504B0	28.15
		3-1/2"	3-1/2-2D	4"	2	5/8 x 2	3.2	2104002B0
3-1/2"	4.000	3-1/2-3D	6"	3	5/8 x 2	4.5	2104003B0	24.45
	4.000	3-1/2-4D	8"	4	5/8 x 2	5.9	2104004B0	29.80
		4"	4-2D	4"	2	5/8 x 2	3.5	2104502B0
4"	4.500	4-3D	6"	3	5/8 x 2	4.8	2104503B0	26.55
	4.500	4-4D	8"	4	5/8 x 2	6.1	2104504B0	32.20
		4-1/2"	4-1/2-2D	4"	2	5/8 x 2	3.8	2105002B0
4-1/2"	5.000	4-1/2-3D	6"	3	5/8 x 2	5.1	2105003B0	28.15
	5.000	4-1/2-4D	8"	4	5/8 x 2	6.3	2105004B0	33.50
		5"	5-2D	4"	2	5/8 x 2	4.1	2105562B0
5"	5.563	5-3D	6"	3	5/8 x 2	5.4	2105563B0	29.60
	5.563	5-4D	8"	4	5/8 x 2	6.5	2105564B0	34.90
		6"	6-2D	4"	2	5/8 x 2	4.7	2106622B0
6"	6.625	6-3D	6"	3	5/8 x 2	6.0	2106623B0	35.45
	6.625	6-4D	8"	4	5/8 x 2	7.1	2106624B0	42.00
	6.625	6-5D	10"	5	5/8 x 2	8.3	2106625B0	49.65
		8"	8-2D	6"	2	3/4 x 3	8.8	2108622B0
8"	8.625	8-3D	8"	3	3/4 x 3	12.8	2108623B0	64.80
	8.625	8-4D	10"	4	3/4 x 3	16.4	2108624B0	78.10
	8.625	8-5D	12"	5	3/4 x 3	19.9	2108625B0	91.40
		10"	10-2D	6"	2	3/4 x 3	10.8	2110752B0
10"	10.750	10-3D	8"	3	3/4 x 3	14.7	2110753B0	70.35
	10.750	10-4D	10"	4	3/4 x 3	18.4	2110754B0	84.60
	10.750	10-5D	12"	5	3/4 x 3	22.2	2110755B0	96.25
		12"	12-2D	6"	2	3/4 x 3	13.1	2112752B0
12"	12.750	12-3D	8"	3	3/4 x 3	17.7	2112753B0	78.55
	12.750	12-4D	10"	4	3/4 x 3	22.3	2112754B0	86.70
	12.750	12-5D	12"	5	3/4 x 3	26.8	2112755B0	104.25
		14"	14-3D	8"	3	3/4 x 3	18.8	2114003B0
14"	14.000	14-4D	10"	4	3/4 x 3	23.6	2114004B0	93.45
	14.000	14-5D	12"	5	3/4 x 3	28.5	2114005B0	111.15

All shipments F.O.B. Erie, PA

Prices subject to change without notice.

\*Neoprene

**For Prices and Delivery**

Call Toll Free: 1-800-426-1579

Toll-Free Fax: 1-800-545-1399

E-mail: sales@morriscoupling.com

www.morriscoupling.com



2240 W. 15th St., Erie, PA 16505  
Phone: 814-459-1741

# Morris PVC Flexible Hose

## Four distinct types to meet varying application needs.

Morris offers material-handling hoses to meet the wide variety of bulk conveying system requirements which may be encountered. Flexible hose is suitable for both vacuum and pressure-discharge service.

Morris hoses are ideal for conveying pellets, granular material and powdery substances. Flexible hose offers a fast, convenient method of finishing a pneumatic conveying system.

Morris also offers clamps to help complete your installation.



### **MORR-CLEAR™** Economical Food-Grade PVC Transfer Hose

Our most popular material-handling hose features a clear PVC tube with a smooth bore to provide excellent material flow rates. A clear, rigid, external PVC helix reinforcement enables user to visually monitor flow of material.

High-density PVC materials are known for their ability to withstand abrasion. Hose construction provides good flexibility with light weight. Hose carries FDA “3A Dairy” rating. Operating temperature range from 10°F to 150°F.

MORR-CLEAR Number	I.D. (inch)	O.D. (inch)	Working Pressure (psi)	Vacuum Rating (inch HG)	Bend Radius (inch)	Weight (lbs./ft.)	Standard Coils (ft.)
MC150	1.5	1.81	50	29	3.2	0.31	50
MC45M	45mm	2.05	40	29	3.2	0.42	50
MC200	2	2.43	40	29	3.2	0.42	50
MC250	2.5	3.00	35	29	4.5	0.65	50
MC300	3	3.58	35	29	6.5	0.85	50
MC400	4	4.68	35	15	10.4	1.30	50
MC500	5	5.65	30	10	21.0	1.50	50
MC600	6	6.72	30	10	29.4	2.20	25

### **MORR-CLEAR™ STATIC** Food-Grade PVC Hose with Static-Dissipating Ground Wire

This is the same durable lightweight hose described above. The only difference is MORR-CLEAR STATIC contains an integral wire to assure a positive ground where static build-up is a concern.

MORR-CLEAR STATIC Number	I.D. (inch)	O.D. (inch)	Working Pressure (psi)	Vacuum Rating (inch HG)	Bend Radius (inch)	Weight (lbs./ft.)	Standard Coils (ft.)
MS150	1.5	1.81	50	29	3.2	0.31	50
MS45M	45mm	2.05	40	29	3.2	0.42	50
MS200	2	2.43	40	29	3.2	0.42	50
MS250	2.5	3.00	35	29	4.5	0.65	50
MS300	3	3.58	35	29	6.5	0.85	50
MS400	4	4.68	35	15	10.4	1.30	50
MS500	5	5.65	30	10	21.0	1.50	50
MS600	6	6.72	30	10	29.4	2.20	25

# Morris PVC Flexible Hose *continued*

## MORR-THANE™

### Extended Performance High-Density Polyurethane Transfer Hose

Hose is made from a high-density polyurethane formulation for extended life when handling abrasive materials. Hose has a smooth bore to provide excellent material flow rates. Corrugated construction provides good flexibility and light weight making hose easy to use. Hose remains flexible at sub-zero temperatures from -30°F to 150°F.

MORR-THANE Number	I.D. (inch)	O.D. (inch)	Working Pressure (psi)	Vacuum Rating (inch HG)	Bend Radius (inch)	Weight (lbs./ft.)	Standard Coils (ft.)
MT150	1.5	1.86	75	29	3.9	0.42	100
MT200	2	2.42	65	29	5.5	0.68	100
MT250	2.5	3.04	50	29	7.0	1.08	100
MT300	3	3.64	50	29	8.0	1.35	100
MT400	4	4.77	50	29	14.0	2.33	100
MT500	5	5.75	45	29	20.0	2.95	50
MT600	6	7.00	35	25	25.0	3.44	50
MT800	8	9.20	25	25	48.0	6.48	20

Standard MORR-THANE is blue. Upon request, it is available clear with static wire. Contact Erie for pricing.

## MORR-TUFF™

### Material Hose For Severe Service

MORR-TUFF is specifically designed for unloading pellets from rail cars, handling sand blast grit, and the transfer of grain and other severe applications.

MORR-TUFF is a blend of Nitrile, polyurethane and PVC that makes it flexible, lightweight and easy to handle – even in the large sizes. Compared to rubber and metal hoses, MORR-TUFF offers a low-cost alternative. The outer black cover is static dissipating and ozone resistant. Operating temperature from -30°F to 150°F.

MORR-TUFF Number	I.D. (inch)	O.D. (inch)	Working Pressure (psi)	Vacuum Rating (inch HG)	Bend Radius (inch)	Weight (lbs./ft.)	Standard Coils (ft.)
MF150	1.5	1.94	45	29	3.2	0.42	100
MF200	2	2.50	45	29	5.5	0.65	100
MF300	3	3.77	40	29	7.5	1.31	100
MF400	4	4.85	40	29	11.0	1.70	100
MF500	5	5.95	40	29	15.0	2.60	100
MF600	6	7.08	40	29	20.0	3.21	50
MF800	8	9.28	30	29	30.0	6.10	20

## Morris Hose Accessories MORR-TITE™ Hose Clamps



**Hose Clamps** Galvanized steel saddle, nuts and washers with electroplated, spiral-thread bolts.

## Spiral Double Bolt Clamps

Hose I.D.	Clockwise Part Numbers	Counterclockwise Part Numbers
1-1/2"	SDBC-0150R	SDBC-0150L
2"	SDBC-0200R	SDBC-0200L
2-1/2"	SDBC-0250R	SDBC-0250L
3"	SDBC-0300R	SDBC-0300L
4"	SDBC-0400R	SDBC-0400L
5"	SDBC-0500R	SDBC-0500L
6"	SDBC-0600R	SDBC-0600L
8"	SDBC-0800R	SDBC-0800L
10"	SDBC-1000R	SDBC-1000L

### Features/Benefits

- Higher Grip Capacity
- Increase Holding Capacity
- Accommodates Both Clockwise and Counterclockwise Helix
- Smaller Size Design Envelope
- Optional Stainless-Steel Construction

### For Prices and Delivery

Call Toll Free: 1-800-426-1579  
Toll-Free Fax: 1-800-545-1399  
E-mail: sales@morriscoupling.com  
www.morriscoupling.com

 **MORRIS**  
COUPLING COMPANY  
2240 W. 15th St., Erie, PA 16505  
Phone: 814-459-1741

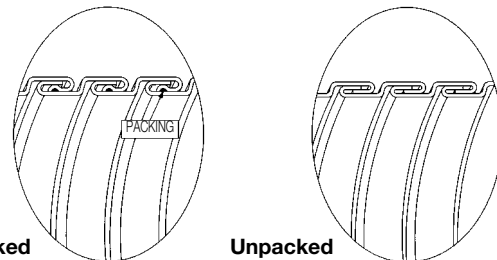
# Morris Metal Flexible Hose



## General Purpose Metal Flex Hose

This unlined general purpose hose features interlocked construction formed from a single metal strip. The balanced interlocking manufacturing process provides for maximum flexibility and longest service life. Pressure and vacuum capabilities may be easily enhanced by the selection of an appropriate packing material.

The unlined metal flex-hose is available in various alloys, metal strip thicknesses and in diameters from 1-1/2" through 8" I.D. Interlocked hose is available in any length and can be provided in bulk or fabricated assemblies.



Inside Dia. (In.)	Strip Thickness											
	10		15		18		25		30		20	
	Material Code G, S		Material Code G, S		Material Code G, S, 6		Material Code G, S		Material Code G		Material Code A	
	Weight Per Foot (Lbs.)	Min. Bend Radius (In.)	Weight Per Foot (Lbs.)	Min. Bend Radius (In.)	Weight Per Foot (Lbs.)	Min. Bend Radius (In.)	Weight Per Foot (Lbs.)	Min. Bend Radius (In.)	Weight Per Foot (Lbs.)	Min. Bend Radius (In.)	Weight Per Foot (Lbs.)	Min. Bend Radius (In.)
1-1/2	0.5	6	0.7	6	0.9	6	1.3	7				
2	0.7	8	1.0	8	1.1	8	1.7	9	2.0	11		
2-1/2	0.8	10	1.2	10	1.4	10	2.1	11	2.5	13		
3	1.0	11	1.4	12	1.6	12	2.5	13	2.9	14	0.7	14
3-1/2	1.1	13	1.6	14	1.9	14	2.8	15	3.4	16	0.8	16
4	1.2	14	1.8	16	2.2	16	3.2	17	3.8	18	0.9	18
4-1/2	1.4	17	2.0	17	2.4	17	3.6	19	4.3	20	1.0	20
5	1.5	18	2.2	19	2.7	19	4.0	21	4.7	22	1.1	22
6	1.8	21	2.7	23	3.2	23	4.7	25	5.6	26	1.3	26
7			3.1	27	3.7	27	5.5	29	6.5	30	1.5	30
8			3.5	30	4.2	30	6.2	33	7.4	34	1.8	34

NOTE: Other diameters are available on request.

NOTE: For packed hose, add 10% to both Weight Per Foot and Minimum Bend Radius.

Packings Available For Increased Pressure and Vacuum Capabilities		
Packing Type	Features	Max. Temp.
Cotton	Most Economical Packing	180°F
Elastomeric	Provides Maximum Pressure and Vacuum Capability	200°F
Copper	For High Temperatures	800°F
High Temperature Fiber	Specially Coated High Temperature Filament	1,000°F
Stainless Steel	For Extreme Temperatures	1,200°F

### Morris Material Codes

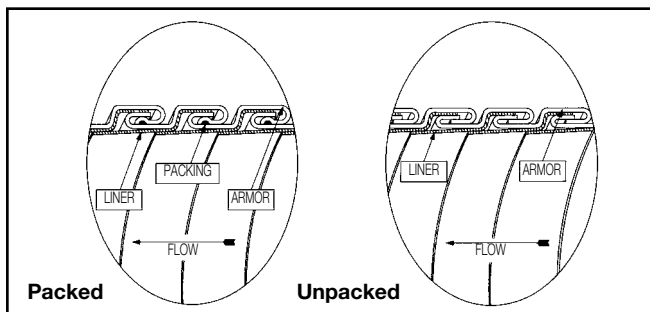
#### Materials

- A – Aluminum (unpacked only)
- G – Galvanized Steel
- S – T304 Stainless Steel
- 6 – T316 Stainless Steel

Technical data is meant to be used as a guide. If more specific information is required, please contact the factory.



# Morris Metal Flexible Hose *continued*



## Metal Smooth-Bore Flex Hose

This smooth-bore hose is ideally suited for dry-bulk pneumatic conveying. This hose is produced with a durable outer armor and a highly abrasion-resistant liner. A precision manufacturing process makes this hose unequaled in strength and flexibility. Pressure and vacuum capabilities may be easily enhanced by the selection of an appropriate packing material.

The smooth-bore hose is available in various alloys, metal strip thicknesses, and in diameters from 1-1/2" through 8" I.D. Smooth bore hose is available in any length and can be provided in bulk or fabricated assemblies.

Inside Dia. (In.)	Strip Thickness							
	15		18		25		A 20	
	Material Code G, S / C, S, 4	Weight Per Foot (Lbs.)	Material Code G, S, 6 / C, S, 4	Weight Per Foot (Lbs.)	Material Code G, S / C, S	Weight Per Foot (Lbs.)	Material Code A / S	Weight Per Foot (Lbs.)
1-1/2	1.2	7	1.3	8				
2	1.6	9	1.7	10				
2-1/2	1.9	11	2.2	12				
3	2.3	13	2.6	14	3.2	18		
3-1/2	2.6	15	3.0	16	3.7	21		
4	3.0	17	3.4	18	4.2	23	2.1	23
4-1/2	3.4	19	3.8	21	4.7	26	2.3	26
5	3.7	21	4.2	23	5.2	29	2.6	29
6	4.5	25	5.0	27	6.2	34	3.1	34
7	5.2	29	5.8	32	7.2	40	3.6	40
8	5.9	33	6.6	36	8.2	45	4.1	45

NOTE: Other diameters are available on request.  
NOTE: For packed hose, add 10% to both Weight Per Foot and Minimum Bend Radius.

Packings Available For Increased Pressure and Vacuum Capabilities		
Packing Type	Features	Max. Temp.
Cotton	Most Economical Packing	180°F
Elastomeric	Provides Maximum Pressure and Vacuum Capability	200°F
Copper	For High Temperatures	800°F
High Temperature Fiber	Specially Coated High Temperature Filament	1,000°F
Stainless Steel	For Extreme Temperatures	1,200°F

### Morris Material Codes

**Armor Materials:**  
**A** – Aluminum (unpacked only)  
**G** – Galvanized Steel  
**S** – T304 Stainless Steel  
**6** – T316 Stainless Steel

**Liner Materials:**  
**S** – T301 Stainless Steel  
**4** – T410 Stainless Steel  
**C** – Carbon Steel

*Technical data is meant to be used as a guide. If more specific information is required, please contact the factory.*



## Morris Custom-Fabricated Interlocked Hose Assemblies

State-of-the-art fabricating methods, combined with an extensive selection of Morris Ever-Tite® couplings, enable Morris to effectively supply any configuration of hose assemblies.

Typical end fittings include cam and groove connectors, pipe and tube nipples, flanges and hose shank adapters.

### Maximum Steel and Fabrication Temperatures

Steel Type	Maximum Temperature	Fabrication Technique	Maximum Temperature
Stainless Steel	1,750°F	Welding	1,200°F
Carbon Steel	850°F	Brazing	700°F
Galvanized Steel	450°F	Epoxy	250°F

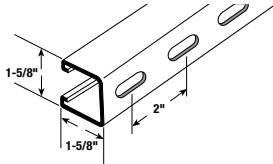
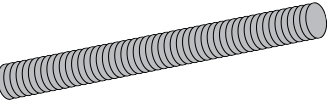
**Note:** Epoxy may be used with all metal types. However, applications are limited to 250°F service.

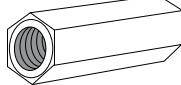
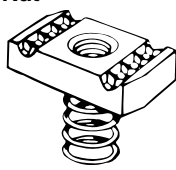



### For Prices and Delivery

Call Toll Free: 1-800-426-1579  
 Toll-Free Fax: 1-800-545-1399  
 E-mail: sales@morriscoupling.com  
 www.morriscoupling.com

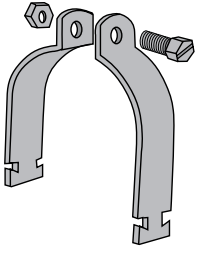
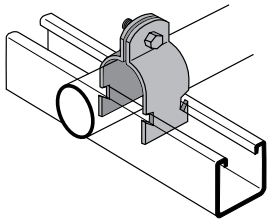
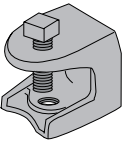
**MORRIS**  
 COUPLING COMPANY  
 2240 W. 15th St., Erie, PA 16505  
 Phone: 814-459-1741

# Installation Components

	Description	Part Number	Quantity	List Price Per Length
<b>1-5/8" Channel</b> 	<ul style="list-style-type: none"> <li>• Slotted channel.</li> <li>• 9/16" x 1-1/8" slots on 2" center.</li> <li>• 12-gauge roll-formed strip</li> <li>• Available in 10' and 20' lengths.</li> <li>• Standard finish galvanized.</li> </ul>	<b>61G158CHNL-10</b> 10' length	1	\$29.35
		<b>61G158CHNL-20</b> 20' length	1	\$58.70
<b>Threaded Rod</b> 	<ul style="list-style-type: none"> <li>• Electro galvanized.</li> <li>• Available in 3/8" and 1/2" diameter.</li> <li>• 6' and 12' lengths.</li> </ul>	<b>61G38ROD06</b> 3/8" rod; 6' length	1	\$3.85
		<b>61G38ROD12</b> 3/8" rod; 12' length	1	\$7.80
		<b>61G12ROD06</b> 1/2" rod; 6' length	1	\$7.60
		<b>61G12ROD12</b> 1/2" rod; 12' length	1	\$15.10

	Description	Part Number	Quantity Per Box	List Price Per Box
<b>Rod Couplers</b> 	<ul style="list-style-type: none"> <li>• Couplers to accommodate 3/8" and 1/2" rod.</li> </ul>	<b>61G38CPL</b> 3/8" coupler	100	\$96.85
		<b>61G12CPL</b> 1/2" coupler	100	\$154.10
<b>Spring Nut</b> 	<ul style="list-style-type: none"> <li>• 3/8" – 16 and 1/2" – 13 spring nuts</li> </ul>	<b>61G38SPNUT</b> 3/8" – 16 spring nut	100	\$103.90
		<b>61G12SPNUT</b> 1/2" – 13 spring nut	100	\$114.25
<b>Hex Nut</b> 	<ul style="list-style-type: none"> <li>• 3/8" – 16 and 1/2" – 13 nuts</li> </ul>	<b>61G38HXNUT</b> 3/8" – 16 nut	100	\$5.20
		<b>61G12HXNUT</b> 1/2" – 13 nut	100	\$17.30
<b>Flat Washer</b> 	<ul style="list-style-type: none"> <li>• 3/8" and 1/2" flat washers</li> </ul>	<b>61G38FLWASH</b> 3/8" flat washer	100	\$5.70
		<b>61G12FLWASH</b> 1/2" flat washer	100	\$13.65
<b>Lock Washer</b> 	<ul style="list-style-type: none"> <li>• 3/8" and 1/2" lock washers</li> </ul>	<b>61G38LKWASH</b> 3/8" lock washer	100	\$4.05
		<b>61G12LKWASH</b> 1/2" lock washer	100	\$8.60

# Installation Components *continued*

	Description	Part Number	Quantity Per Box	List Price Per Box
<b>Pipe Clamp</b> 	<ul style="list-style-type: none"> <li>Galvanized.</li> <li>Slotted hex-head screw and nut included.</li> </ul>	<b>61G23CLMP</b> 2" pipe	50	\$129.00
		<b>61G27CLMP</b> 2-1/2" pipe	50	\$140.45
		<b>61G35CLMP</b> 3" pipe	50	\$154.40
		<b>61G40CLMP</b> 3-1/2" pipe	25	\$74.15
		<b>61G45CLMP</b> 4" pipe	25	\$122.30
		<b>61G558CLMP</b> 5" pipe	25	\$170.20
		<b>61G658CLMP</b> 6" pipe	25	\$224.70
<b>61G858CLMP</b> 8" pipe	25	\$299.10		
<b>Tube Clamp</b> 	<ul style="list-style-type: none"> <li>Galvanized.</li> <li>Slotted hex-head screw and nut included.</li> </ul>	<b>61G15CLMP</b> 1-1/2" tube	100	\$195.05
		<b>61G20CLMP</b> 2" tube	50	\$124.00
		<b>61G21CLMP</b> 2-1/8" tube	50	\$125.70
		<b>61G22CLMP</b> 2-1/4" tube	50	\$127.25
		<b>61G25CLMP</b> 2-1/2" tube	50	\$132.30
		<b>61G30CLMP</b> 3" tube	50	\$143.80
		<b>61G35CLMP</b> 3-1/2" tube	50	\$150.40
		<b>61G40CLMP</b> 4" tube	25	\$74.15
		<b>61G45CLMP</b> 4-1/2" tube	25	\$122.30
		<b>61G50CLMP</b> 5" tube	25	\$141.25
		<b>61G60CLMP</b> 6" tube	25	\$180.05
<b>61G80CLMP</b> 8" tube	25	\$280.95		
<b>Beam Clamp</b> 	<ul style="list-style-type: none"> <li>With set screw for 3/8" and 1/2" rod.</li> <li>Standard finish galvanized.</li> </ul>	<b>61G20BMCLP</b> 3/8" beam clamp	10	\$51.35
		<b>61G25BMCLP</b> 1/2" beam clamp	10	\$66.00

**NOTES:**

- All prices for channel and threaded rod are list per piece as indicated. Standard finish galvanized.
- Clamps, coupler and hardware items are sold in box quantity only. Box quantities are indicated for each item. Standard finish electro galvanized.
- Installation components are non-returnable.
- Prices F.O.B. Knoxville, TN.

**For Prices and Delivery**

Call Toll Free: 1-800-426-1579  
Toll-Free Fax: 1-800-545-1399  
E-mail: [sales@morriscoupling.com](mailto:sales@morriscoupling.com)  
[www.morriscoupling.com](http://www.morriscoupling.com)

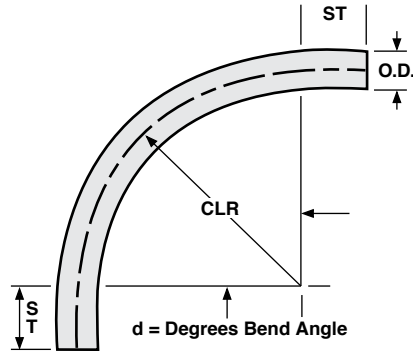
 **MORRIS**  
COUPLING COMPANY  
2240 W. 15th St., Erie, PA 16505  
Phone: 814-459-1741

# Pipe and Tube Bends for pneumatic systems, short and long radius

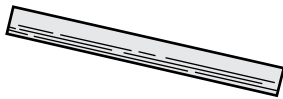
## Tube Bending Capabilities

Pipe and tube bends of up to 180° are readily available in aluminum, stainless, carbon steel and galvanized in the sizes listed. Other centerline radii are available but not shown. Special shapes, 'U' bends, offsets, and bifurcated bends available upon request.

Morris tube bends are manufactured in our Knoxville, Tennessee, Plant.



## Morris Pipe and Tubing Straights



Straight lengths of pipe and tubing are available in carbon steel, aluminum, and stainless – 1-1/2" O.D. thru 10" pipe in a variety of wall thicknesses.

**ORDER BENDS** by O.D., wall thickness, alloy, degree of bend, centerline radius and tangent.

**WALL THICKNESS:** 16 ga. (.063), 14 ga. (.083), and 11 ga. (.120) in tubing. Schedules 5, 10 and 40 pipe. Other wall thicknesses on request.

\*Carbon Steel, Schedule 40 Only.

**MATERIALS:** Aluminum is 6063-T1 extruded. Stainless is T304 ASTM A312 for Pipe and T304 ASTM A249 for tubing. Carbon steel ASTM A53 for pipe; A513 for tubing. Galvanized A53 for galvanized coated. Pipe and A513 for galvanized-coated tubing.

Tube Size	Pipe Size	Outside Diameter		Common Centerline Radii (CLR) Inches	Std. Tangent (ST)
		inches	mm		
1"		1.0	25.4	3, 4, 6, 12	4"
	1"	1.315	33.4	3, 5	4"
1-1/4"		1.25	31.8	3, 7.25	4"
	1-1/4"	1.660	42.2	3.5, 4, 6.25	4"
1-1/2"		1.5	38.1	2.5, 6, 7.5, 9, 12, 15, 18, 24, 30, 36	4"
1-3/4"		1.75	44.5	2.5, 8, 9, 12, 15, 24, 30, 36, 48	4"
	1-1/2"	1.9	48.3	5, 6, 7.5, 9, 10, 12, 18, 24, 30, 36, 48	4"
2"		2.0	50.8	2.5, 3, 3.5, 4, 5, 6, 8, 8.5, 9, 10, 12, 15, 18, 24, 30, 36, 48	4"
2-1/8"		2.125	54.0	3, 5, 12, 24, 30, 36	4-1/4"
2-1/4"		2.25	57.2	3, 9, 12, 15, 17, 24, 30, 36	4-1/2"
	2"	2.375	60.2	6, 7.5, 10, 12, 15, 17, 24, 30, 36, 48	4"
2-1/2"		2.5	63.5	4, 6, 9, 12, 15, 17, 24, 30, 36, 48	5"
2-3/4"		2.75	69.9	2.75, 4, 17, 30, 36, 48	5-1/2"
	2-1/2"	2.875	73.0	12, 12.5, 15, 17, 24, 30, 36, 60	5"
3"		3.0	76.2	4, 4.5, 7.5, 9, 10, 12, 15, 18, 24, 30, 36, 48, 60	6"
3-1/4"		3.25	82.6	17, 30, 36	6-1/2"
3-1/2"	3"	3.5	88.9	3.5, 4.5, 6, 8.75, 12, 15, 16, 18, 24, 30, 36, 48	7" (6" - pipe)
3-3/4"		3.75	95.3	17, 24, 32, 36	7-1/2"
4"	3-1/2"	4.0	101.6	4, 5, 6, 7.75, 10, 12, 16, 18, 20, 24, 30, 32, 36, 48, 60	8" (7" - pipe)
4-1/4"		4.25	107.9	16, 30, 36, 48, 60	8-1/2"
4-1/2"	4"	4.5	114.3	6, 9, 12, 16, 18, 20, 24, 30, 32, 36, 48, 60	9" (8" - pipe)
4-3/4"		4.75	120.7	36	9-1/2"
5"		5.0	127.0	5.5, 7.5, 12.5, 17, 22, 24, 30, 36, 42, 48, 60	10"
	5"	5.563	141.3	15, 20, 24, 30, 36, 42, 48, 60, 72	10"
5-1/2"		5.5	139.7	30, 36	11"
6"		6.0	152.4	9, 15, 18, 24, 30, 36, 42, 48, 60, 72	12"
	6"	6.625	168.2	18, 24, 30, 36, 42, 48, 60, 72	12"
8"		8.0	203.2	12, 20, 32, 48, 60, 72	16"
	8"	8.625	219.1	24, 32, 40, 42, 48, 60, 72	16"
10"		10.75	273.1	40, 48, 50	20"

Capabilities subject to change without notice.

TEES			WYES						LATERALS							
OD	A	B	OD	30° C	30° D	45° C	45° D	60° C	60° D	OD	30° E	30° F	45° E	45° F	60° E	60° F
2"	16"	8"	2"	8"	8"	8"	8"	8"	8"	2"	8"	16"	8"	16"	8"	16"
3"	16"	8"	3"	8"	8"	8"	8"	8"	8"	3"	10"	20"	8"	16"	8"	16"
4"	16"	8"	4"	8"	8"	8"	8"	8"	8"	4"	12"	24"	10"	20"	10"	20"
4-1/2"	18"	9"	4-1/2"	10"	10"	10"	10"	10"	10"	4-1/2"	12"	24"	10"	20"	10"	20"
5"	18"	9"	5"	11"	11"	11"	11"	11"	11"	5"	15"	30"	12"	24"	12"	24"
6"	20"	10"	6"	12"	12"	12"	12"	12"	12"	6"	18"	36"	15"	30"	15"	30"
8"	24"	12"	8"	14"	14"	14"	14"	14"	14"	8"	22"	40"	18"	36"	18"	36"

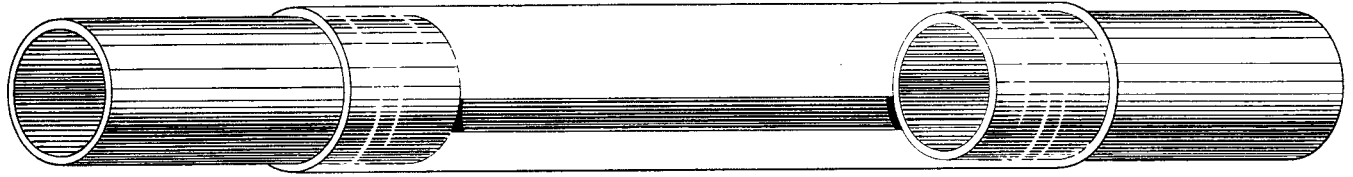
ORDER TEES by tube or pipe size, wall thickness, and metal.

O.D.s not listed, available on request.

ORDER LATERALS and WYES by tube or pipe size, wall thickness, metal and degree of angle.

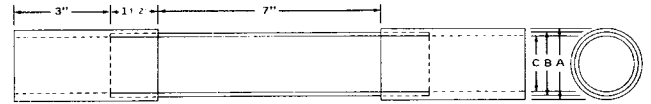


# Sight Glasses



- clear look at the material flowing
- smooth “straight-thru” interior
- air-tight seal
- “sighting” section can be furnished in Pyrex

- a grounding strip, permanently attached, eliminates the build-up of static electricity
- fast, easy installation



TUBING OR PIPE INSERTED IN CLEAR ACRYLIC IN THE FOLLOWING SIZES:

### Tubing Sizes with Aluminum Ends

Part No.	Overall O.D. "A"	Tube O.D. "B"	Tube I.D. "C"	LIST PRICE
SG 1-1/2-OD-16	1.750	1.500	1.375	109.70
SG 2-OD-16	2.250	2.000	1.875	111.35
SG 2-OD-11	2.250	2.000	1.750	113.40
SG 2-1/4-OD-16	2.500	2.250	2.125	114.70
SG 2-1/2-OD-16	2.750	2.500	2.375	111.35
SG 2-1/2-OD-11	2.750	2.500	2.250	119.30
SG 3-OD-16	3.250	3.000	2.875	121.05
SG 3-OD-11	3.250	3.000	2.750	132.50
SG 3-1/2-OD-16	3.750	3.500	3.375	130.50
SG 3-1/2-OD-11	3.750	3.500	3.250	142.75
SG 4-OD-16	4.250	4.000	3.875	131.60
SG 4-OD-11	4.250	4.000	3.750	145.60
SG 4-1/2-OD-16	4.750	4.500	4.375	149.10
SG 4-1/2-OD-11	4.750	4.500	4.250	155.70
SG 5-OD-14	5.250	5.000	4.875	155.25
SG 5-OD-11	5.250	5.000	4.750	162.20
SG 6-OD-11	6.500	6.000	5.750	226.75

CLEAR ACRYLIC INSERTED IN PIPE IN THE FOLLOWING SIZES:

### Pipe Sizes with Steel Ends

Part No.	Overall O.D. "A"	Tube O.D. "B"	Tube I.D. "C"	LIST PRICE
SG 3" - IPS	3.500	3.250	3.000	170.10
SG 3-1/2" - IPS	4.000	3.750	3.500	170.60
SG 4" - IPS	4.500	4.250	4.000	181.80
SG 5" - IPS	5.563	5.250	5.000	223.60
SG 6" - IPS	6.625	6.500	6.000	252.95

### Pipe Sizes with Aluminum Pipe Ends

Part No.	Overall O.D. "A"	Tube O.D. "B"	Tube I.D. "C"	LIST PRICE
SG 3" - AP	3.500	3.250	3.000	161.00
SG 3-1/2" - AP	4.000	3.750	3.500	163.15
SG 4" - AP	4.500	4.250	4.000	176.05
SG 5" - AP	5.563	5.250	5.000	240.35
SG 6" - AP	6.625	6.500	6.000	296.90

Prices subject to change without notice.

### Material:

Aluminum Tubing ..... 6061-T6 and 6063-T6  
 “Sight Glass” ..... Cast Acrylic Resin  
 Steel Pipe ..... Schedule 40  
 Aluminum Pipe ..... Schedule 40  
 (Available in Schedule 5 and 10)

Prices of special sizes and materials including Pyrex sighting section available on request.

**When ordering**, please be sure to use the correct part number. Also list tubing or pipe O.D. and wall thickness.

Prices of special sizes and materials available on request.

### Pipe Sizes with Steel Ends

Part No.	Overall O.D. "A"	Tube O.D. "B"	Tube I.D. "C"	LIST PRICE
SG 2" - IPS	2.500	2.375	2.000	153.25
SG 2-1/2" - IPS	3.000	2.875	2.500	164.95

### Pipe Sizes with Aluminum Pipe Ends

Part No.	Overall O.D. "A"	Tube O.D. "B"	Tube I.D. "C"	LIST PRICE
SG 2" - AP	2.500	2.375	2.000	120.90
SG 2-1/2" - AP	3.000	2.875	2.500	130.50

### For Prices and Delivery

Call Toll Free: 1-800-426-1579  
 Toll-Free Fax: 1-800-545-1399  
 E-mail: sales@morriscoupling.com  
 www.morriscoupling.com

**MORRIS**  
 COUPLING COMPANY  
 2240 W. 15th St., Erie, PA 16505  
 Phone: 814-459-1741

# Morris Gaylord Vacuum Wands

Unloading powders or pellets made easy with Morris Coupling's line of Gaylord Vacuum Wands. Seven models available in aluminum (standard), carbon steel, stainless steel and plastic (shock-free). Available in diameters ranging from 1-1/2" to 4" and lengths 48" to 54".

Morris Basic, Standard, Deluxe and Dissipator series of Gaylord Wands offer the user a variety of options including air adjusting, "stay" clip, handle and filtering screens.



### Basic Model – Aluminum Construction

*Includes six air register holes and stand off loop at bottom.*

Standard Length			Extended Length		
Diameter	Part No.	Length	Diameter	Part No.	Length
1-1/2	GBA 15U	48"	1-1/2	GBA 15UL	54"
2	GBA 20U	48"	2	GBA 20UL	54"
2-1/2	GBA 25U	48"	2-1/2	GBA 25UL	54"
3	GBA 30U	48"	3	GBA 30UL	54"
4	GBA 40U	48"	4	GBA 40UL	54"



### Standard Model – Aluminum Construction

*Includes adjustable air register ring and stand off loop at bottom.*

Standard Length			Extended Length		
Diameter	Part No.	Length	Diameter	Part No.	Length
1-1/2	GSA 15U	48"	1-1/2	GSA 15UL	54"
2	GSA 20U	48"	2	GSA 20UL	54"
2-1/2	GSA 25U	48"	2-1/2	GSA 25UL	54"
3	GSA 30U	48"	3	GSA 30UL	54"
4	GSA 40U	48"	4	GSA 40UL	54"



### Deluxe Model – Aluminum Construction

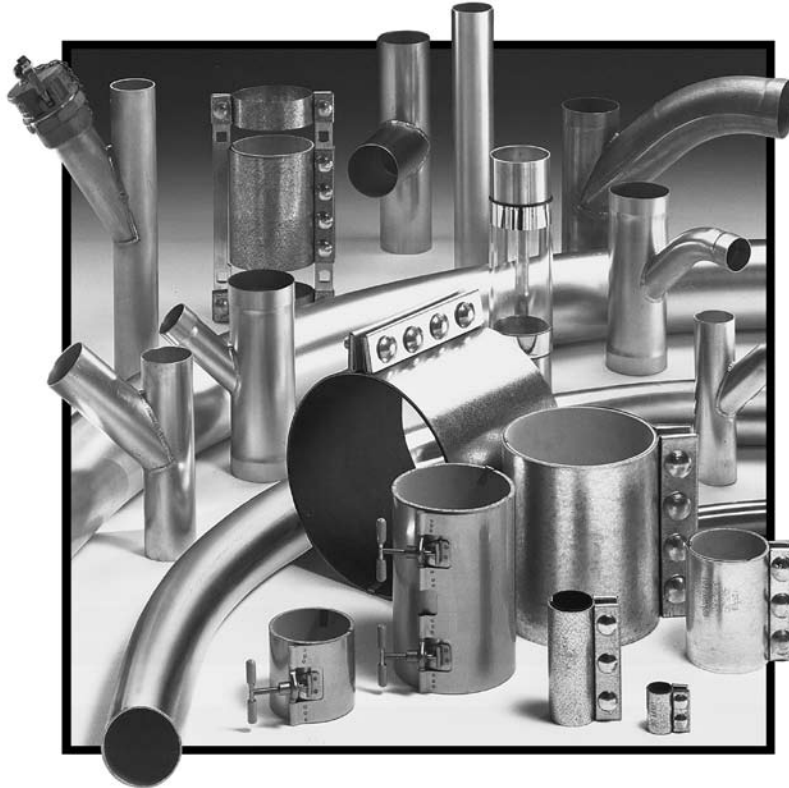
*Includes adjustable air register ring, stand off loop, operator handle and Ever-Tite® cam and groove coupling.*

Standard Length			Extended Length		
Diameter	Part No.	Length	Diameter	Part No.	Length
1-1/2	GDA 15U	48"	1-1/2	GDA 15UL	54"
2	GDA 20U	48"	2	GDA 20UL	54"
2-1/2	GDA 25U	48"	2-1/2	GDA 25UL	54"
3	GDA 30U	48"	3	GDA 30UL	54"
4	GDA 40U	48"	4	GDA 40UL	54"



# Morris Coupling Company

*YOUR QUALITY CONNECTION*



*For Prices and Delivery*

Call Toll Free: 1-800-426-1579  
Toll-Free Fax: 1-800-545-1399  
E-mail: [sales@morriscoupling.com](mailto:sales@morriscoupling.com)  
[www.morriscoupling.com](http://www.morriscoupling.com)

©2011 Morris Coupling Company  
Printed in U.S.A.  
Core - 1M - 3/11

 **MORRIS**  
COUPLING COMPANY  
2240 W. 15th St., Erie, PA 16505  
Phone: 814-459-1741