

# PARTS BREAKDOWN SHEET



## ELITE SINGLE HANDLE LAVATORY FAUCET



**Model #:** \_\_\_\_\_  
**Specific Features:** \_\_\_\_\_  
**Project Name:** \_\_\_\_\_  
**Submitted For:** \_\_\_\_\_  
**Date:** \_\_\_\_\_

- Metal Lever Handle
- 3-7/8" Reach, 1-3/4" From Deck to Aerator
- Stainless Steel Ball Operation
- 3-Hole 4" Installation
- Brass Pop-Up Drain Assembly
- With 1.5 GPM Flow Rate

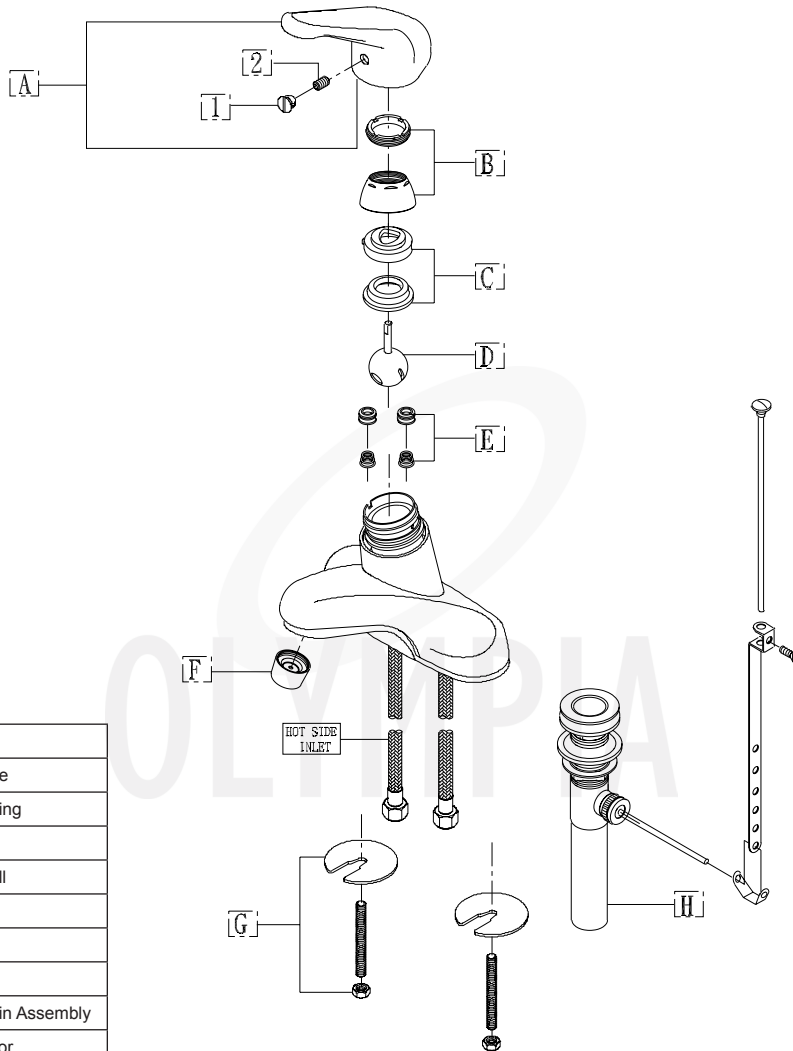
# L-6162 SHOWN **ADA**

Model #	Features	Finish	
L-6162*		CP	
L-6162-BN*		PVD BN	

\* Aerator limited to 1.5 GPM Flow Rate

Olympia products are engineered and manufactured to meet the following standards and codes:

- ASME A112.18.1
- ANSI A117.1
- ANSI / NSF 61, SECTION 9
- IAPMO LISTED
- CONTAINS NO MORE THAN 0.25% WEIGHTED AVERAGE LEAD CONTENT



ITEM #	DESCRIPTION
A	OP-190001* Metal Lever Handle
B	OP-490003* Cap & Adjusting Ring
C	OP-490004 Cam & Washer
D	OP-390001 Stainless Steel Ball
E	OP-490041 Springs and Seats
F	OP-490026* 1.5 GPM Aerator
G	OP-530001 Mounting Kit
H	OP-630002* Brass Pop-Up Drain Assembly
1	OP-490002 Hot & Cold Indicator
2	OP-490043 Allen Screw

\* Note- Please Specify finish\color code while ordering.

Antioch, TN  
 www.olympiafaucets.com  
 Olympia Faucets, Inc. © 2009  
 A Pioneer Industries Inc. Brand  
 DMPBL-6162/REV. 10.08

# PARTS BREAKDOWN SHEET



**Model Number: L-61XX, L-6161G**

\* Note: Please specify finish/color when ordering.

	ITEM #	DESCRIPTION
G	OP-430010	Hole Cover (For L-61X4)
H	OP-530001	Mounting Kit
I	OP-590001	Supply Nut
J	OP-630004*	50/50 Pop Drain Assembly (For L-61X0)
K	OP-630002*	Brass Pop-Up Drain Assembly (For L-61X2)
L	OP-630001	Brass Grid Strainer Drain Assembly (For L-6161G)
1	OP-490002	Hot & Cold Indicator
2	OP-490043	Allen Screw

	ITEM #	DESCRIPTION
A1	OP-190001*	Metal Lever Handle (For L-616X)
A2	OP-190002*	Metal Loop Handle (For L-617X)
B	OP-490003*	Cap & Adjusting Ring
C	OP-490004	Cam & Washer
D	OP-390001	Stainless Steel Ball
E	OP-490041	Springs & Seats
F	OP-490064*	1.2 GPM Aerator
F	OP-490055*	0.5 GPM Aerator (For L-6160, L-6160B, L-6161, L-6161G, L-6162, L-6162B)
F	OP-490056*	1.0 GPM Aerator (For L-6160B, L-6161, L-6162, L-6162B)

