



## PFPCV700 Series

### PVC Solvent Weld Swing Check Valves

#### Product Features

- Constructed from durable Type 1 PVC
- Weighted Buna-N flapper seal and angle seat design for low pressure seal
- Full flow design reduces flow loss
- Solvent weld connections for easy installation
- Can be installed vertically or horizontally
- Pressure rating: 125 PSI at 75° F (24° C)
- Conforms to ASTM D2466
- Not for use with compressed air, gases or potable water
- Maximum fluid temperature 140° F (60° C)



PFPCV700K

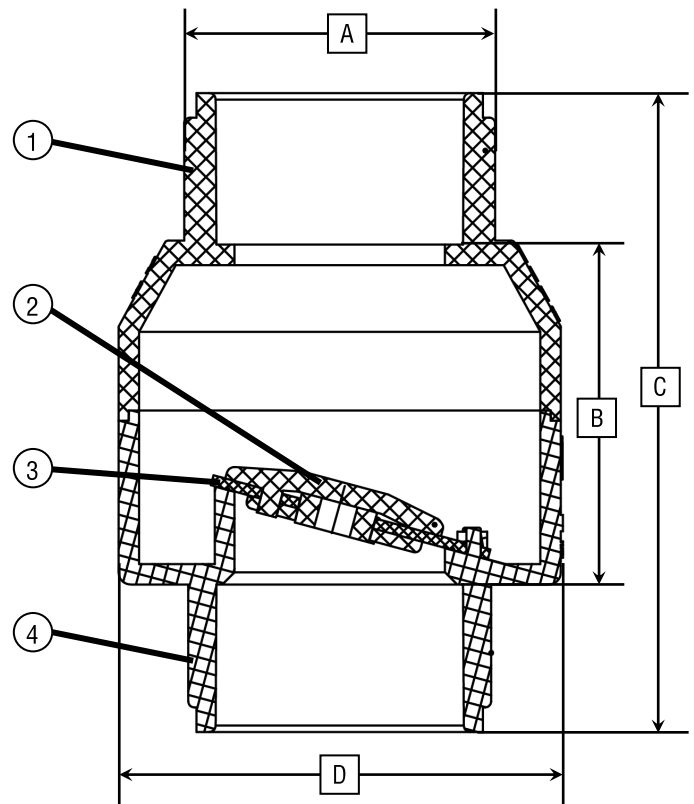
#### Product Codes

PFPCV700J 1-1/2 PVC SW CHK VLV SXS

PFPCV700K 2 PVC SW CHK VLV SXS

#### Dimensional Data

Model	PFPCV700J		PFPCV700K	
Dimensions	In	mm	In	mm
IPS Pipe Size	1-1/2"	38.1	2"	50.8
Weight	.6 lbs.	.2 kg	.9 lbs.	.4 kg
A	2.42"	61.5	2.97"	75.4
B	3.02"	76.7	3.30"	83.8
C	5.44"	138.2	6.14"	156.0
D	3.15"	80.0	4.25"	108.0



#### Product Specifications

NO.	PART	MATERIAL	QTY
1	Upper Body	PVC	1
2	Flapper Disc	PVC	1
3	Flapper Seat	BUNA-N	1
4	Lower Body	PVC	1

#### Warranty and Codes

This PROFLO product carries a 1-year limited warranty.