

PFPCVS600 Series

PVC Spring Check Valves



Product Features

- Constructed from durable Type 1 PVC
- Spring loaded flapper for positive closing
- 1/2 lb. spring on flapper reduces water hammer
- Full flow design reduces flow loss
- True union design for easy installation & servicing
- Socket end connections
- Can be installed vertically or horizontally
- Pressure rating: 125 PSI at 75° F (24° C)
- Conforms to ASTM D2466
- Not for use with compressed air, gases or potable water
- Maximum fluid temperature 140° F (60° C)

Product Codes

PFPCVS600J 1-1/2 PVC SW UNION CHK VLV 1/2LB SPRG
 PFPCVS600K 2 PVC SW UNION CHK VLV 1/2LB SPRG

Dimensional Data

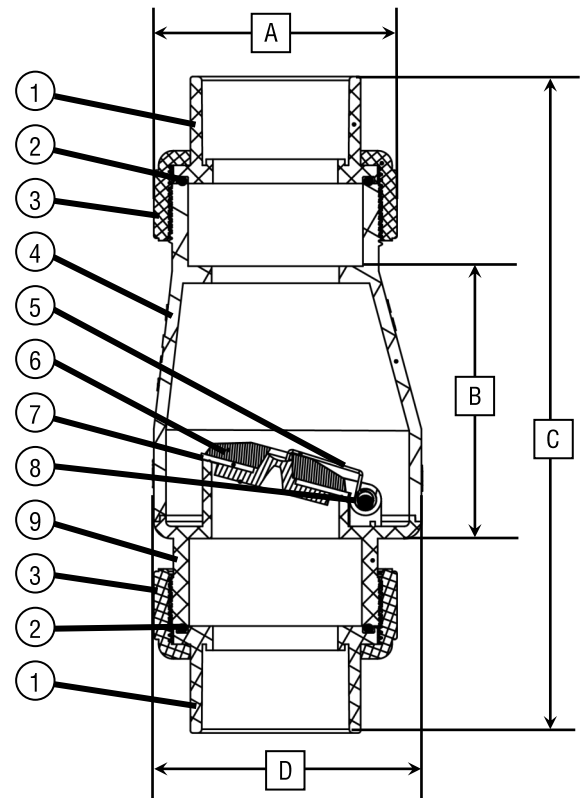
| Model | PFPCVS600J | | PFPCVS600K | |
|---------------|------------|-------|------------|-------|
| Dimensions | In | mm | In | mm |
| IPS Pipe Size | 1-1/2" | 38.1 | 2" | 50.8 |
| Weight | 1.2 lbs. | .5 kg | 2.0 lbs. | .9 kg |
| A | 3.35 | 85.0 | 3.94 | 100.0 |
| B | 3.54 | 90.0 | 4.36 | 110.7 |
| C | 8.94 | 227.1 | 10.63 | 270.0 |
| D | 3.63 | 92.2 | 4.36 | 110.7 |

Product Specifications

| NO. | PART | MATERIAL | QTY |
|-----|----------------|---------------------|-----|
| 1 | Union Socket | PVC | 2 |
| 2 | O-Ring | BUNA-N | 2 |
| 3 | Union Nut | PVC | 2 |
| 4 | Upper Body | PVC | 1 |
| 5 | Flapper Spring | 304 Stainless Steel | 1 |
| 6 | Flapper Disc | PVC | 1 |
| 7 | Flapper Seat | BUNA-N | 1 |
| 8 | Flapper Hinge | PVC | 1 |
| 9 | Lower Body | PVC | 1 |



PFPCVS600K



Warranty and Codes

This PROFLO product carries a 1-year limited warranty.