

94XLF Series

PEX End Standard Port Ball Valve

LEAD FREE



Job Name:	
Job Location:	
Engineer:	
Contractor:	
Tag:	
PO#:	
Rep:	
Wholesale Dist.:	

DESCRIPTION

The Apollo International™ 94XLF lead free* DZR forged brass ball valves combine reliable operation with maximum economy. Ideal for plumbing and heating applications including potable water. Intended for ASTM F1807 crimp installation into PEX B & C piping systems. Valves are ANSI 3rd party lead free* certified and listed to NSF 14, NSF 61, and NSF 372.

FEATURES

- Lead Free* DZR Materials and Certification
- ASTM F1807 PEX Design
- White Handle Grip Identifies Lead Free Construction
- Standard Port Design
- Double O-ring Stem Seal
- Blow-Out Proof Stem Design
- Silicone Free Assembly

APPROVALS

- NSF/ANSI/CAN 61 - Water Quality
- NSF/ANSI 372 - Lead Free
- NSF/ANSI 14
- ASTM F1807 Conformance

Refer to PEX Piping Guidelines

STANDARD MATERIALS LIST

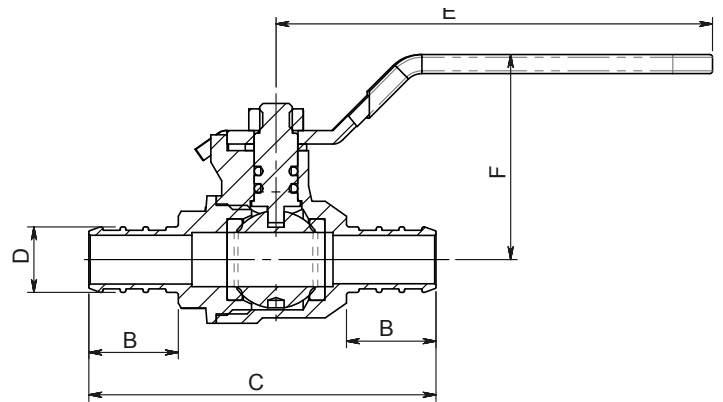
BODY	Lead Free DZR Brass
RETAINER	Lead Free DZR Brass
BALL	Lead Free DZR Brass, Chrome Plated
STEM	Brass C36000
SEATS	PTFE
STEM O-RING SEALS	EPDM
GLAND NUT	Brass, C37700
HANDLE	Steel, plated (with PVC grip)
HANDLE NUT	Stainless Steel

PERFORMANCE RATING

- PEX Connector Rating:
160 psi at 73°F
100 psi at 180°F
80 psi at 200°F
- Ball Valve Rating (Valve Only):
400 CWP

DIMENSIONS

PART NUMBER	SIZE (IN.)	DIMENSIONS (IN.)					WT. (LB.)
		B	C	D	E	F	
94XLF-103-01	1/2	0.65	2.52	.47	3.17	1.49	.25
94XLF-104-01	3/4	0.65	2.62	.67	3.17	1.57	.41
94XLF-105-01	1	0.80	2.91	.86	3.17	1.57	.57



*LEAD FREE: The wetted surfaces of this product shall contain no more than 0.25% lead by weighted average. Complies with Federal Public Law 111-380. ANSI 3rd party approved and listed.