



# LF Female Compression Tee Water Hammer Arrestor

## Product Features

- For single fixture use
- Helps to eliminate shock waves generated in piping systems by sudden on/off changes in flow
- Compression x Female Compression designed to install either between stub out and supply stop or between supply stop and supply tube for dishwashers, faucets, toilets or ice makers
- Polypropylene piston
- AA arrestors are suitable for 1-3 fixture units
- May be installed at any angle.
- To function more effectively, please install within 6 feet of the fixture the arrestor is servicing.
- Approved for installation with no access panels required.

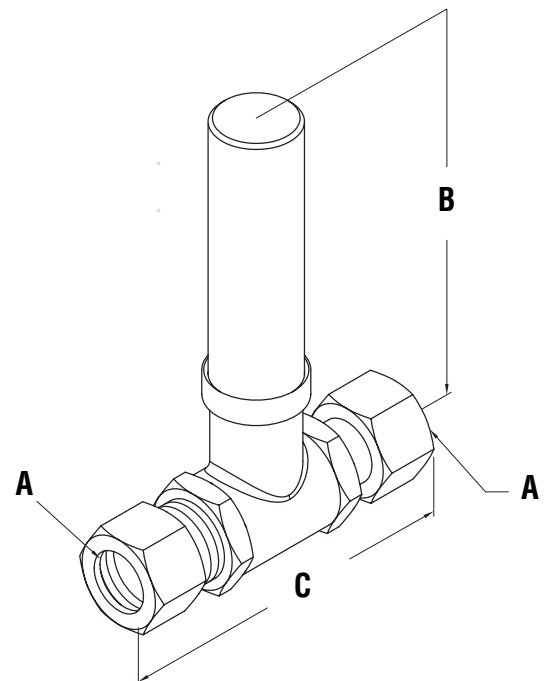


PFXWHACTCA

## Product Specifications

Temperature Range: 33°F to 180°F  
 Max. Working Pressure: 350 PSI  
 ASSE 1010-2004  
 IAMPO Listed (cUPC)  
 Certified to NSF 372 requirements

Model Numbers	A	B	C
PFXWHACTCA	3/8" OD Compression Tee X 3/8" OD Female Compression	3-7/8" (98.4mm)	2-3/8" (58.7mm)
PFXWHACTD	5/8" OD Compression Tee X 5/8" OD Female Compression	3-7/8" (98.4mm)	2-1/2" (63.5mm)



## Warranty and Codes

This PROFLO product carries a 1-year limited warranty.

