

# FIGURE 600B STAINLESS STEEL BALL VALVES



## 2 PC FULL PORT 150# FLANGED

### FEATURES

- Full port
- 150 WSP
- Flanged connection
- TFM 1600 + 20% GF seats
- Stainless steel trim
- Anti-static design
- Blowout-proof stem
- Investment cast body
- Adjustable packing
- Locking device
- Direct mounting pad
- Manufactured silicone free
- Sizes 1/2" – 8"

### PRODUCT SPECIFICATIONS

#### Standards

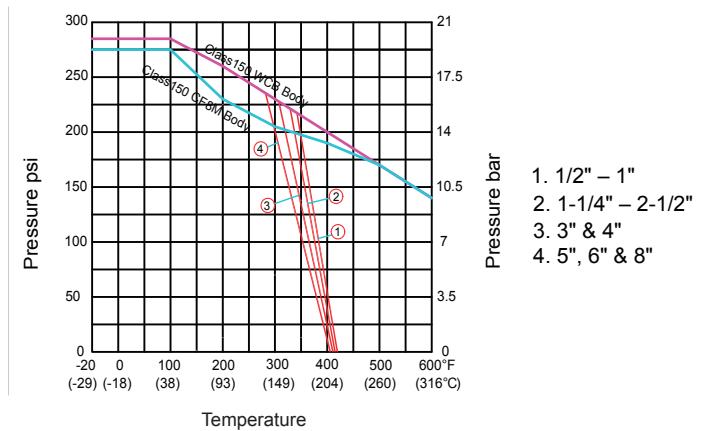
- Design: ASME B16.34
- Pressure Test: API 598
- Flange Dimensions: ASME B16.5
- Materials: ASME B16.34
- Mounting Pad: ISO 5211
- NACE MR0103 and MR0175 compliant
- Fugitive Emissions: ISO 15848-1 and TA-Luft

### FIGURE NUMBER MATRIX

FNW 600B	Size
	Size Code
	D = 1/2"      L = 2-1/2"
	F = 3/4"      M = 3"
	G = 1          P = 4"
	J = 1-1/2"    U = 6"
	K = 2"        X = 8"

### REPAIR KITS (ORDER SEPARATELY)

FNW 600BRKTFM	Size
	Size Code
	D = 1/2"      L = 2-1/2"
	F = 3/4"      M = 3"
	G = 1          P = 4"
	J = 1-1/2"    U = 6"
	K = 2"        X = 8"



### CV & WEIGHT TORQUE (IN-LBS)

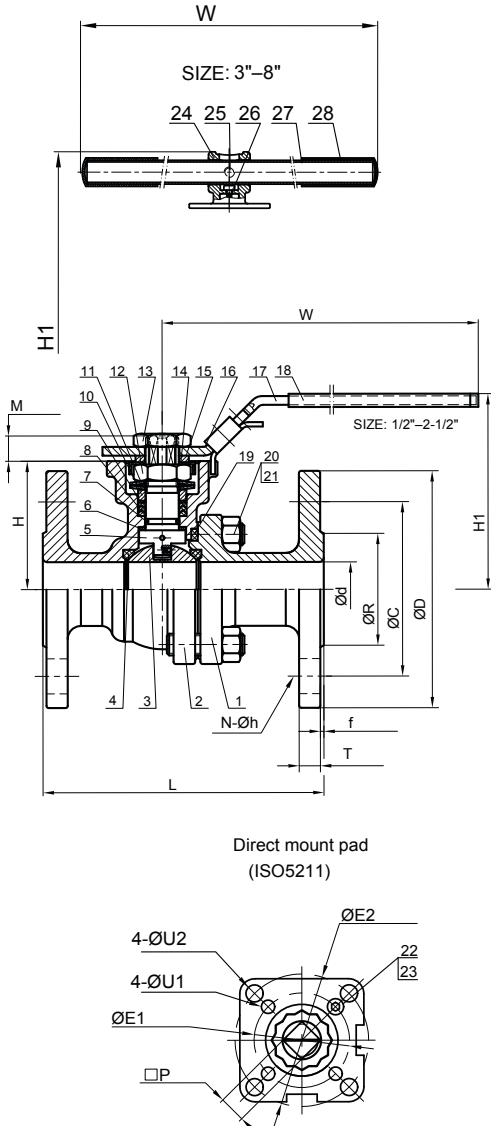
Size	Cv	Wt (lbs)	Size/ΔP	75 psig	150 psig	300 psig
				5 Bar	10 Bar	20 Bar
1/2"	30	3.52	1/2"	53	53	53
3/4"	55	4.71	3/4"	62	62	62
1"	96	6.34	1"	97	97	106
1-1/2"	270	12.98	1-1/2"	186	186	212
2"	470	18.66	2"	265	283	310
2-1/2"	780	30.14	2-1/2"	425	442	478
3"	1150	38.61	3"	690	699	788
4"	2100	65.52	4"	1,062	1,071	1,186
6"	5000	163.00	6"	2,973	2,982	3,310
8"	9500	282.00	8"	3,929	4,186	4,743

Note: 30% safety factor is recommended when sizing actuator.

# FIGURE 600B STAINLESS STEEL BALL VALVES



2 PC FULL PORT 150# FLANGED



## STANDARD MATERIALS

Ref #	Description	Material
1	End Cap	CF8M
2	Body	CF8M
3	Ball	CF8M
4	Ball Seat	TFM1600+20%GF
5	Stem (Anti-Static Device)	316
6	Thrust Washer	TFM4215
7	O-Ring	FKM
8	Packing	TFM1600
9	Bushing	50%SS+50%PTFE
10	Gland	316
11	Belleville Washer	301
12	Stem Nut	A194-8 (304)
13	Handle Nut (1/2"–2-1/2")	A194-8 (304)
14	Stop-lock-cap	304
15	Handle Gland	304
16	Lock Device (1/2"–2-1/2")	304
17	Handle (1/2"–2-1/2")	304
18	Handle Sleeve (1/2"–2-1/2")	Vinyl Plastic
19	Body Gasket	PTFE
20	Bolt Nut	A194-8
21	Bolting	A193-B8
22	Stop Bolt	A2-70
23	Stop Nut	A2-70
24	Handle Adapter (3"–8")	CF8
25	Set Screw (3"–8")	A2-70
26	Bolting (3"–8")	A2-70
27	Pipe Handle (3"–8")	A53+Zn Plated
28	Handle Sleeve (3"–8")	Vinyl Plastic

## DIMENSIONS

Size	d	L	R	D	C	T	f	N	h	H	H1	M	P	U1	U2	E1	E2	W	ISO 5211	Weight (lbs)
1/2"	0.59	4.25	1.38	3.50	2.38	0.31	0.06	4	5/8	1.93	3.11	0.30	0.354	0.24	0.24	1.42	1.65	5.77	F03–F04	3.52
3/4"	0.79	4.62	1.69	3.88	2.75	0.34	0.06	4	5/8	2.09	3.31	0.35	0.354	0.24	0.28	1.42	1.97	5.77	F03–F05	4.71
1"	0.98	5.00	2.01	4.25	3.12	0.38	0.06	4	5/8	2.32	3.54	0.43	0.433	0.24	0.28	1.65	1.97	6.95	F04–F05	6.34
1-1/2"	1.50	6.50	2.88	5.00	3.88	0.50	0.06	4	5/8	2.99	4.33	0.55	0.551	0.28	0.35	1.97	2.76	7.75	F05–F07	12.98
2"	1.97	7.00	3.62	6.00	4.75	0.56	0.06	4	3/4	3.23	4.53	0.55	0.551	0.28	0.35	1.97	2.76	7.75	F05–F07	18.66
2-1/2"	2.50	7.50	4.12	7.00	5.50	0.62	0.06	4	3/4	4.02	5.91	0.67	0.669	0.35	0.43	2.76	4.02	10.5	F07–F10	30.14
3"	2.99	8.00	5.00	7.50	6.00	0.69	0.06	4	3/4	4.41	6.93	0.67	0.669	0.35	0.43	2.76	4.02	11.9	F07–F10	38.61
4"	3.94	9.00	6.19	9.00	7.50	0.88	0.06	8	3/4	5.51	8.31	0.87	0.866	non	0.43	non	4.02	15.8	F07–F10	65.52
6"	5.91	15.5	8.50	11.0	9.50	0.94	0.06	8	7/8	7.99	11.18	1.06	1.063	0.55	non	4.92	non	31.6	F12	163.00
8"	7.97	18.0	10.63	13.5	11.75	1.06	0.06	8	7/8	9.96	13.15	1.06	1.063	0.55	non	4.92	non	31.6	F12	282.00