

FIGURE 500B STAINLESS STEEL BALL VALVES



1 PC STANDARD PORT 150# FLANGED

FEATURES

- Standard port
- 150 WSP
- Flanged connection
- TFM 1600 + 20% GF seats
- Stainless steel trim
- Anti-static design
- Blowout-proof stem
- Investment cast body
- Adjustable packing
- Locking device
- Actuator mounting pad
- Manufactured silicone free
- Sizes 2" – 6"



PRODUCT SPECIFICATIONS

Standards

- Design: ASME B16.34
- Pressure Test: API 598
- Flange Dimensions: ASME B16.5
- Materials: ASME B16.34
- Mounting Pad: ISO 5211
- NACE MR0103 and MR0175 compliant

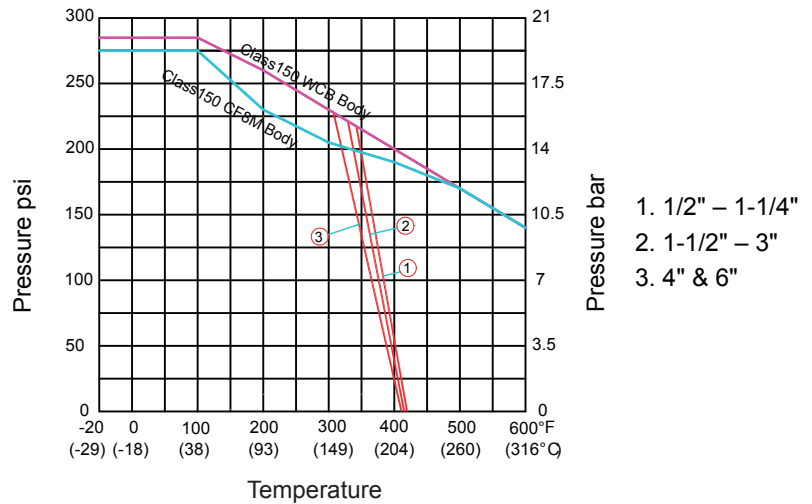


FIGURE NUMBER MATRIX

FNW 500B	Size	
	Size Code	
	K = 2"	P = 4"
	L = 2-1/2"	U = 6"
	M = 3"	

REPAIR KITS (ORDER SEPARATELY)

FNW 500BRKTFM	Size	
	Size Code	
	K = 2"	P = 4"
	L = 2-1/2"	U = 6"
	M = 3"	

CV & WEIGHT TORQUE (IN-LBS)

Size	Cv	Wt (lbs)	Torque (IN-LBS)		
			75 psig 5 Bar	150 psig 10 Bar	300 psig 20 Bar
2"	270	14.63	221	221	248
2-1/2"	470	23.14	319	319	354
3"	690	31.9	513	513	540
4"	1150	49.5	761	779	876
6"	2100	99.2	1381	1416	1522

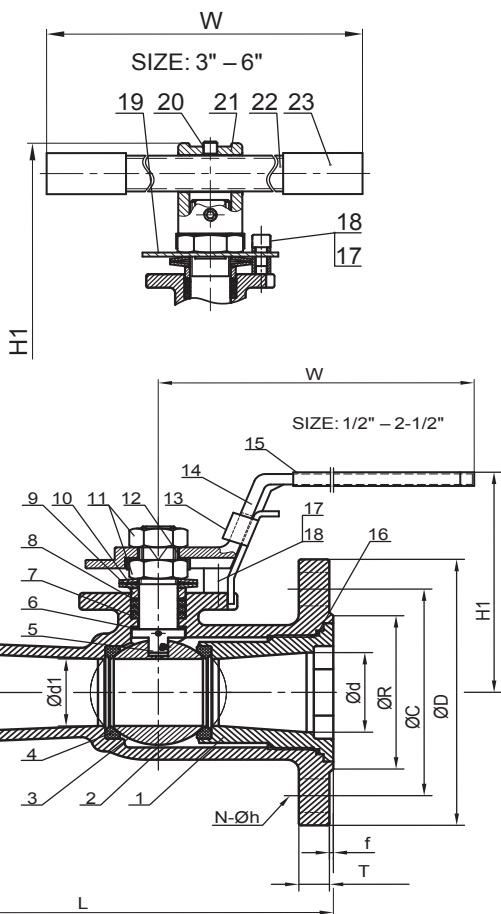
Note: 30% safety factor is recommended when sizing actuator.

FIGURE 500B

STAINLESS STEEL BALL VALVES

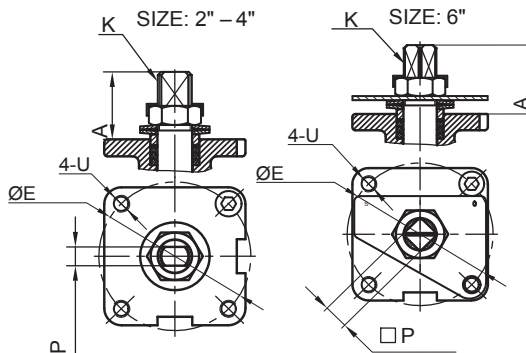


1 PC STANDARD PORT 150# FLANGED



STANDARD MATERIALS

Ref #	Description	Material
1	End Cap	CF8M
2	Body	CF8M
3	Ball	CF8M
4	Ball Seat	TFM1600+20%GF
5	Stem (Anti-Static Device)	316
6	Thrust Washer	TFM4215
7	Packing	TFM1600
8	Bushing	50%SS +50%PTFE
9	Gland	316
10	Belleville Washer	301
11	Stem Nut	A194-8
12	Stop-lock-cap	304
13	Lock Device (1/2"–2-1/2")	304
14	Handle (1/2"–2-1/2")	CF8
15	Handle Sleeve (1/2"–2-1/2")	Vinyl Plastic
16	Body Gasket	PTFE
17	Stop Bolt	A2-70
18	Stop Washer	304
19	Triangle Stopper (3"–6")	304
20	Set Screw (3"–6")	A2-70
21	Handle Adapter (3"–6")	CF8
22	Pipe Handle (3"–6")	A53+Zn Plated
23	Handle Sleeve (3"–6")	Vinyl Plastic



DIMENSIONS

Size	d	d1	L	R	D	C	f	T	N	h	H1	W	P	K	A	U	E	ISO 52111	Weight (lbs)
2"	1.97	1.50	7.00	3.62	6.00	4.75	0.06	0.56	4	3/4	4.49	7.95	0.378	5/8-18UNF	1.26	M8	2.76	F07	14.63
2-1/2"	2.44	1.97	7.50	4.12	7.00	5.50	0.06	0.62	4	3/4	5.22	9.92	0.630	7/8-14UNF	1.67	M10	4.02	F10	23.14
3"	2.99	2.38	8.00	5.00	7.50	6.00	0.06	0.69	4	3/4	6.20	11.9	0.630	7/8-14UNF	1.67	M10	4.02	F10	31.9
4"	3.86	2.99	9.00	6.19	9.00	7.50	0.06	0.88	8	3/4	7.52	15.9	0.709	1-1/8-12UNF	2.17	M10	4.02	F10	49.5
6"	5.75	3.94	10.5	8.50	11.0	9.50	0.06	0.94	8	7/8	9.25	23.75	1.063	1-3/8-12UNF	2.20	M12	4.92	F12	99.2