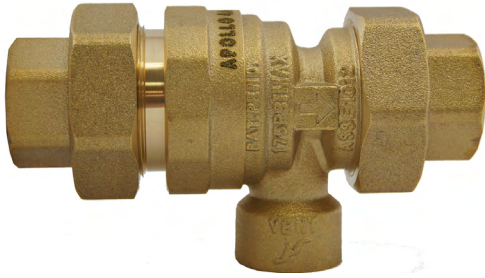


4ALF-400 Series

DCAPLF4A Dual Check with Atmospheric Port

LEAD FREE



Job Name:	
Job Location:	
Engineer:	
Contractor:	
Tag:	
PO#:	
Rep:	
Wholesale Dist.:	

DESCRIPTION

The Apollo Model DCAPLF4A Dual Check with Atmospheric Port is designed to protect residential and commercial water supply lines from back-siphonage or backpressure of non-potable/non-hazardous substances. An intermediate atmospheric vent provides protection from backflow conditions. **Proudly made in the USA.**

FEATURES

- Corrosion Resistant
- Low Head Loss
- Independently Acting Check Valves
- Ease of Repair and Installation
- Economical
- Suitable for Hot or Cold Water Service
- Can be Installed Horizontally or Vertically (Flow Up Condition Only)
- Lead Free Option
- 2 Year Warranty

PERFORMANCE RATING

- Maximum Working Pressure: 175 psig
- Inlet Temperature Range: 33°F - 210°F
- Maximum Backflow Temperature: 250°F

APPROVALS

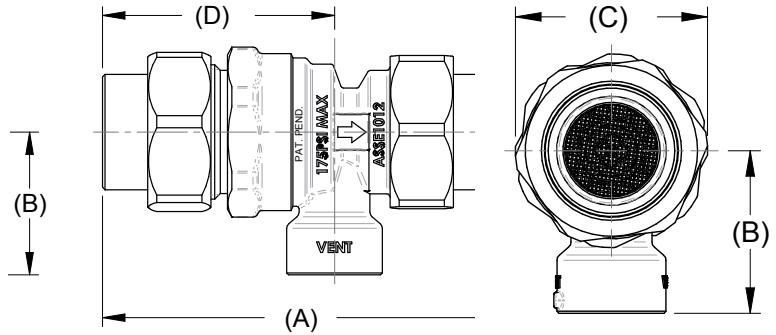
- ASSE 1012
- CSA B64.3
- NSF/ANSI 372-2016 Lead Free

STANDARD MATERIALS LIST

BODY	Forged Brass C87800
UNION NUT & TAILPIECES	Forged Brass C87800
SEAT DISCS	EPDM (FDA/NSF 61)
SEAT STEM & RETAINER	Forged Brass C46500
SPRINGS	Stainless Steel

DIMENSIONS

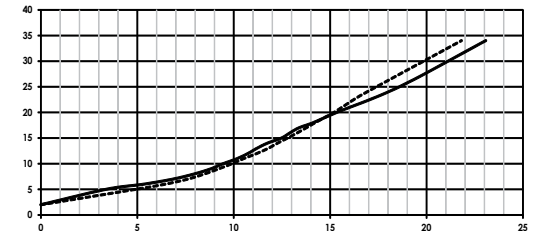
PART NUMBER	DIMENSIONS (IN.)				WT. (LB.)
	A	B	C	D	
4ALF4A33A, 4ALF4A33AC	4.1	1.6	1.9	2.4	1.31
4ALF4H33H, 4ALF4H33HC	3.9	1.6	1.9	2.3	1.24
4ALF4A44A, 4ALF4A44AC	4.3	1.6	1.9	2.5	1.32
4ALF4H44H, 4ALF4A44HC	4.4	1.6	1.9	2.6	1.29



PART NUMBER MATRIX

4A [X]	4 X	X - X	X	X
	UNION INLET CONNECTION	INLET AND OUTLET SIZE	UNION OUTLET CONNECTION	OPTION
4A - STANDARD	A - FNPT	3 - 1/2"	A - FNPT	C - CANADIAN (DISCHARGE PORT NOT THREADED)
4ALF - LEAD FREE	H - SOLDER JOINT	4 - 3/4"	B - MNPT	
			H - SOLDER JOINT	

FLOW CURVE



*LEAD FREE: The wetted surfaces of this product shall contain no more than 0.25% lead by weighted average. Complies with Federal Public Law 111-380. ANSI 3rd party approved and listed.