

GP8000E

GP SERIES Commercial/Residential Portable Generators

Features

- **The Generac OHV engine** with splash lubrication provides a long engine life.
- **Single touch electric start**, battery included, provides hassle-free start-up.
- **Hour Meter** tracks maintenance intervals.
- **Large-capacity steel fuel tank** with incorporated fuel gauge provides durability and extended run times.
- **Low-oil level shutdown** automatically safeguards engine from damage.
- **Covered outlets** provides added protection from the environment and rugged working conditions.
- **Hardened 1 1/4" steel tube cradle** for added durability and strength.
- **Fold-down, locking handle** for sturdy portability and compact storage.
- **Heavy-duty, never flat wheels** for reliable portability.
- **Plug-in battery charger jack** keeps battery charged and ready to go.

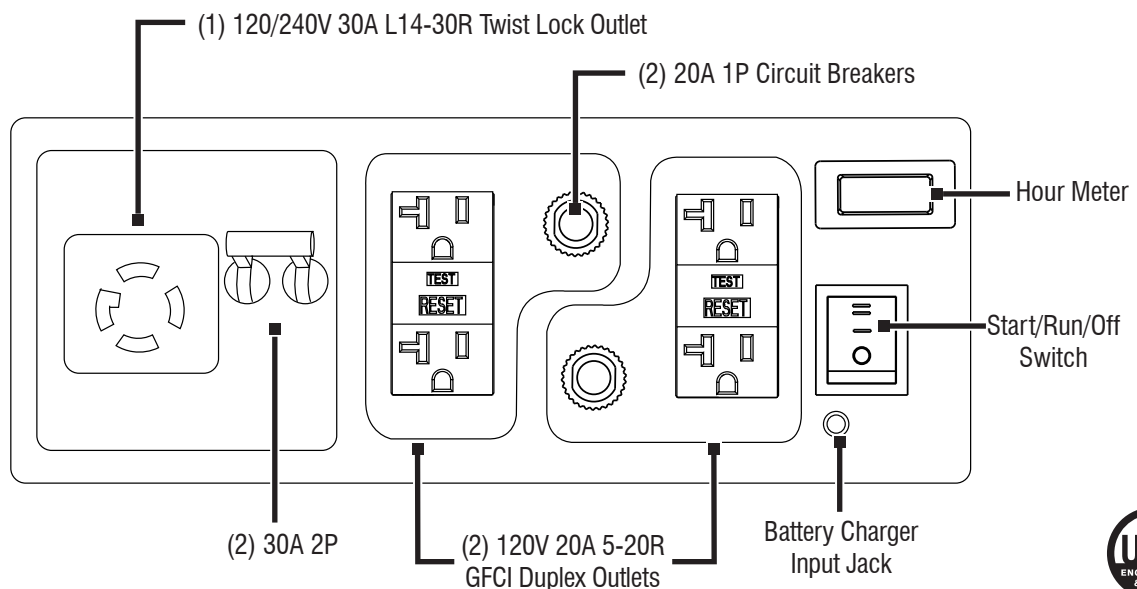
Model 6954-0 UPC: 696471069549 (49ST/CSA)



Photograph may not represent actual content.

AC Rated Output Running Watts 8000
AC Maximum Output Starting Watts 10000

49-State/CSA Control Panel



*Built in the USA using domestic and foreign parts

GP8000E

Specifications

Product Series	GP8000E
Model (Configuration)	6954-0 (49 ST / CSA)
AC Rated Output Running Watts:	8000
AC Maximum Output Motor Starting Watts:	10000
AC Voltage	120/240 VAC
AC Frequency	60 Hz
Rated VAC Amperage	66.6/33.3
Engine Displacement	420cc
Engine Type	OHV
Engine RPM	3600
Recommended Oil	10W-30 / SAE30
Lubrication Method	Splash
Automatic Voltage Regulation (AVR)	Yes
Choke Location	On Engine
Fuel Shut Off	On Fuel Tank
Starting Method	Electric/Recoil Pull Start
Low Oil Shutdown Method	Low Level
Battery Type	12VDC, 10AH
Battery Charger Input Jack	Included
Neutral Bonded to Ground	Yes
Start Switch Type	Start/Run/Off Switch
Start Switch Location	On Control Panel

Fuel Gauge	Built-In Tank
Fuel Tank Capacity Gal (Ltr)	7.5 (28.4)
Run Time at 50% (Hours)	9.5
Handle Style	Single Folding / Locking
Wheel Type	9.5" Solid Wheels
Maintenance Kit	Sold Separately
Warranty - Residential	2 Year Ltd
Warranty - Commercial	1 Year Ltd

Dimensions and Weights

	Model 6954-0
Length in (mm)	28.8 (733)
Width in (mm)	27.25 (692)
Height in (mm)	25.75 (654)
Extended Length in (mm)	45.38 (1152)
Carton Length in (mm)	31 (790)
Carton Width in (mm)	22.12 (562)
Carton Height in (mm)	24 (610)
Unit Weight lbs (kg)	197 (89.4)
Shipping Weight lbs (kg)	220.3 (100)

