

Product data sheet

Specifications

SQUARE D

Green Premium™



Mini circuit breaker, QO, 20A, 1 pole, 120VAC, 10kA, 6mA grd fault A, pigtail, plug in mount

QO120GFI

Product availability : Stock - Normally stocked in distribution facility

Price* : 233.00 USD

Main

Product	Miniature circuit-breaker
Range	QO
Current Rating	20 A
Voltage Rating	120 V AC
Mounting Type	Plug-in
Number of Poles	1P
Circuit Breaker Type	Ground fault protecting class A 6 mA
Ratings	Not rated
Electrical Connection	Pressure plate

Complementary

Interrupt Rating	10 kA 120 V AC 50/60 Hz
Number of Panel Spaces	1
Wire Size	AWG 14...AWG 8 copper AWG 12...AWG 8 aluminium
Tightening Torque	40.71 lbf.in (4.6 N.m) 0.00...0.02 in ² (2.5...10 mm ²) (AWG 16...AWG 14) 40.71 lbf.in (4.6 N.m) 0.01...0.03 in ² (4...20 mm ²) (AWG 12...AWG 4)
Height	4.13 in (105 mm)
Width	0.75 in (19 mm)
Depth	2.91 in (74 mm)
Net Weight	0.53 lb(US) (0.240 kg)

Environment

Certifications	UL Listed CSA
Ambient Rating	104 °F (40 °C)

Ordering and shipping details

Category	00003-QO 1&2 POLE GFI CB 30A MAX
Discount Schedule	DE2A

* Price is "List Price" and may be subject to a trade discount – check with your local distributor or retailer for actual price.

GTIN	785901255079
Returnability	Yes
Country of origin	MX

Packing Units

Unit Type of Package 1	Db
Number of Units in Package 1	1
Package 1 Height	1.30 in (3.302 cm)
Package 1 Width	3.90 in (9.906 cm)
Package 1 Length	5.50 in (13.97 cm)
Package 1 Weight	8.48 oz (240.404 g)
Unit Type of Package 2	PAL
Number of Units in Package 2	1824
Package 2 Height	40.00 in (101.6 cm)
Package 2 Width	40.00 in (101.6 cm)
Package 2 Length	48.00 in (121.92 cm)
Package 2 Weight	994.00 lb(US) (450.87 kg)

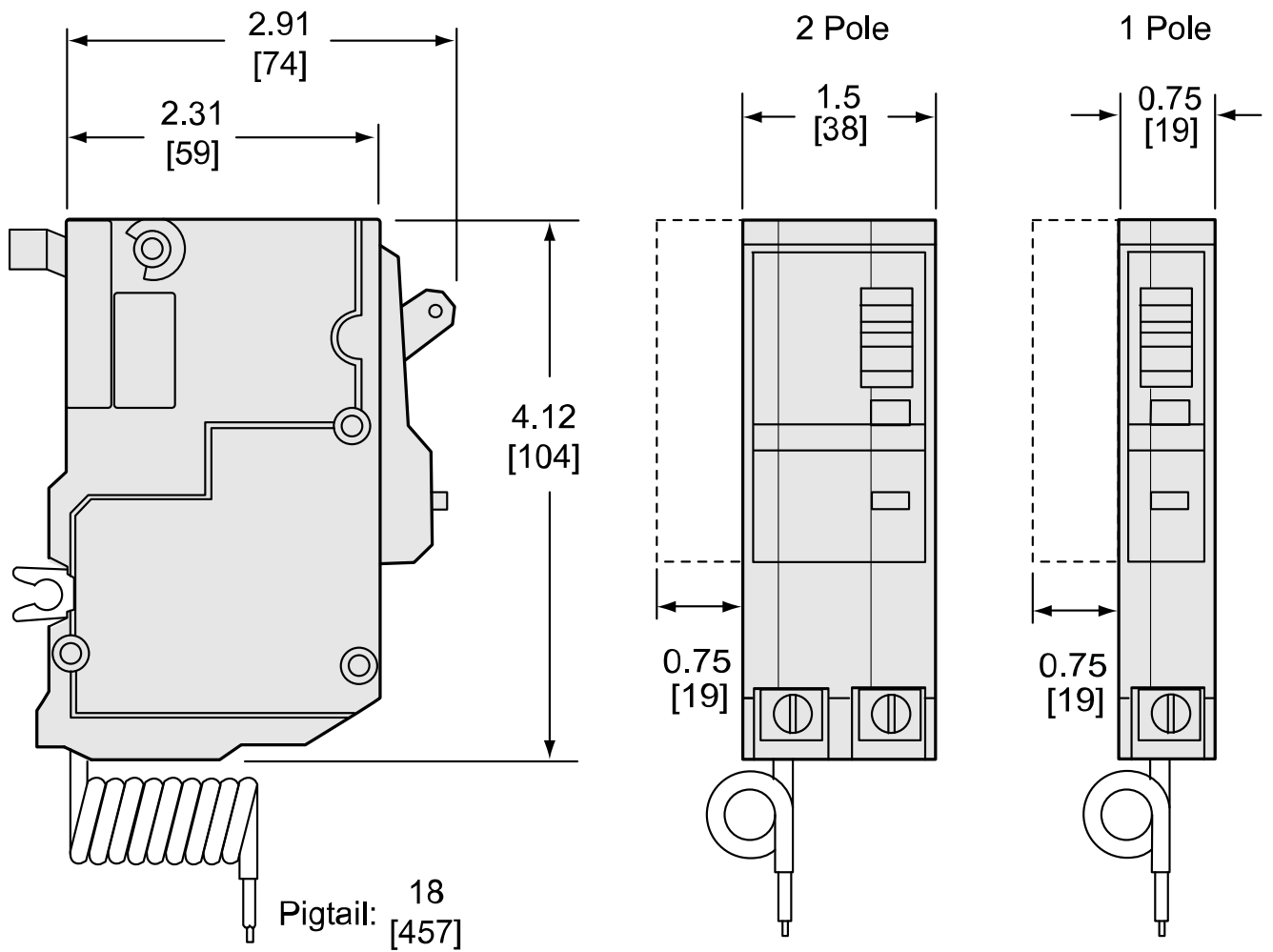
Offer Sustainability

Sustainable offer status	Green Premium product
California proposition 65	WARNING: This product can expose you to chemicals including: DINP, which is known to the State of California to cause cancer, and DIDP, which is known to the State of California to cause birth defects or other reproductive harm. For more information go to www.P65Warnings.ca.gov
REACH Regulation	REACH Declaration
EU RoHS Directive	Compliant EU RoHS Declaration
Mercury free	Yes
China RoHS Regulation	China RoHS declaration Product out of China RoHS scope. Substance declaration for your information.
RoHS exemption information	Yes
Environmental Disclosure	Product Environmental Profile
Circularity Profile	End of Life Information

Contractual warranty

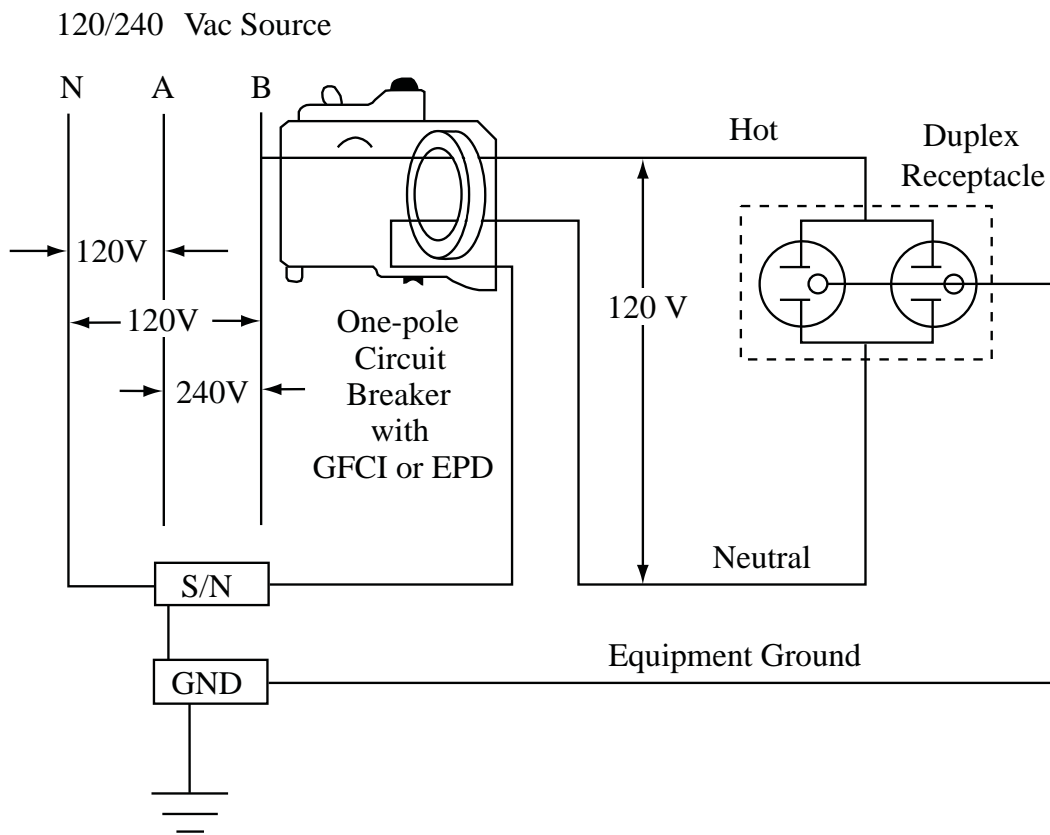
Warranty	18 months
----------	-----------

Dimensions



Wiring Diagram

Typical One-Pole GFCI Wiring



Recommended replacement(s)