

Installation Instructions

for use by heating contractor



Control Console

Part No. 7837395, 7837396,
7841526, 7841152

For Vitodens 100, Series WB1B CombiPLUS

Safety and Installation Requirements

Please ensure that these instructions are read and understood before starting any service work. Failure to comply with these instructions may cause product/property damage, severe personal injury and/or loss of life.

Working on the equipment

The installation, adjustment, service and maintenance of this product must be performed by a licensed professional heating contractor who is qualified and experienced in the installation, service, and maintenance of hot water boilers. There are no user serviceable parts on the boiler, burner or control.

Ensure that main power to the equipment being serviced is off.

Ensure that the main fuel supply valve to the boiler is closed.

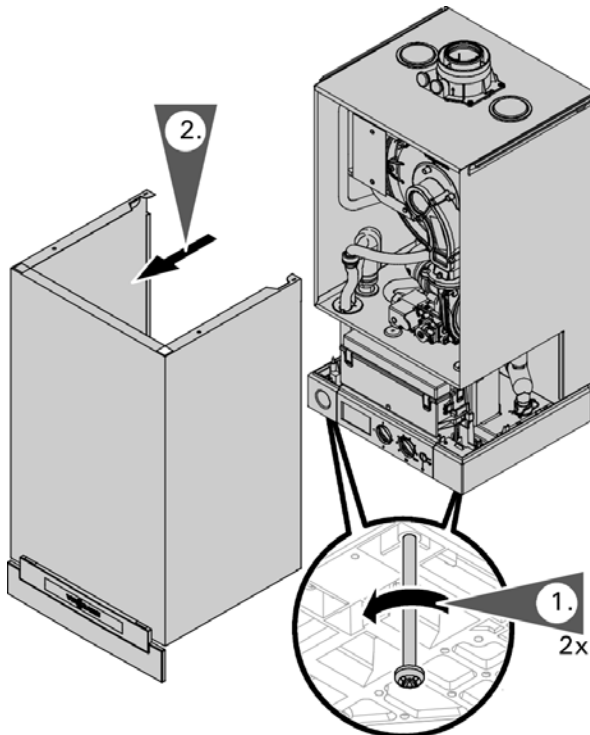
Take precautions to avoid accidental activation of power or fuel during service work.

Do not perform service work on any component part without ensuring safe operation of the heating system. When replacing parts, use original Viessmann or Viessmann approved replacement parts.



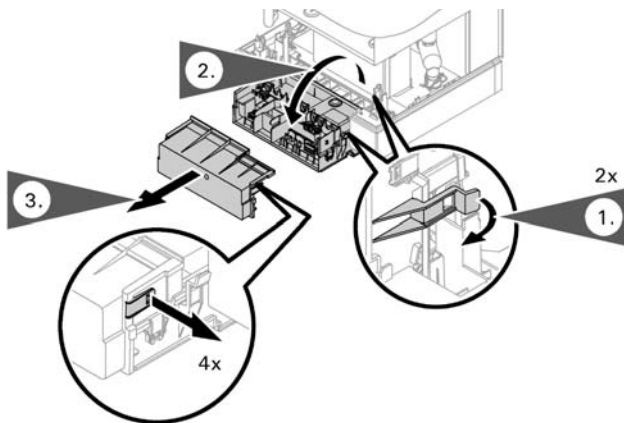
Refer to the Installation and Start-up/Service Instructions applicable to this boiler.

Removing the Boiler Cover



1. Loosen the screws underneath the boiler, do not remove completely.
2. Remove the boiler cover.

Accessing Boiler Cover



Control Console	Boiler Serial #	Boiler size
7837395, 7841526	7457960	WB1B-26
7837396, 7841527	7457961	WB1B-35

IMPORTANT

The ON / OFF switch located on the boiler does not disconnect power to power / pump module, therefore the main service switch or breaker must be turned off.



Refer to the Installation and Start-up/Service Instructions applicable to this boiler.

1. Pull tabs outwards.
2. Flip control unit down.
3. Remove control cover by releasing tabs.

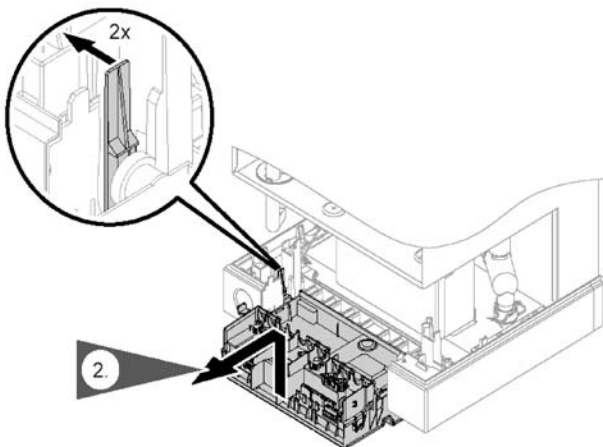
IMPORTANT

Both the control unit and the power pump module have labels and stickers containing important information. Read and follow their respective instructions.

Printed on environmentally friendly (recycled and recyclable) paper.



Installing the Control Console



1. Disconnect all wiring connections from the control console.
2. Push the tabs outwards (as shown) and remove the control by moving it up and out.
3. To install the new control follow the removal procedure in reverse.



Refer to the Installation and Start-up/Service Instructions for the following:

- programming the control unit (if required)
- conversion for propane operation
- high altitude operation
- DHW production with CombiPlus

Technical information subject to change without notice.