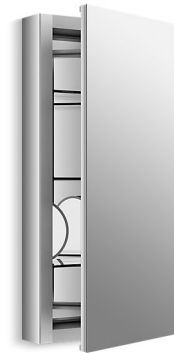


- Anodized aluminum construction with a durable rust- and chip-resistant finish.
- Vertically adjustable flat mirror on inside of door
- Three adjustable glass shelves
- Full-overlay mirrored door
- Slow-close door prevents slamming
- Two-way adjustable hinges with 108-degree opening capability for easy cabinet access.
- Can be installed with left- or right-hand swing.
- Includes mounting hardware for surface or recessed installation
- Requires K-99012 side mirror kit (sold separately) for surface mount installation.



Recommended Accessories

K-99012 Side Mirror Kit

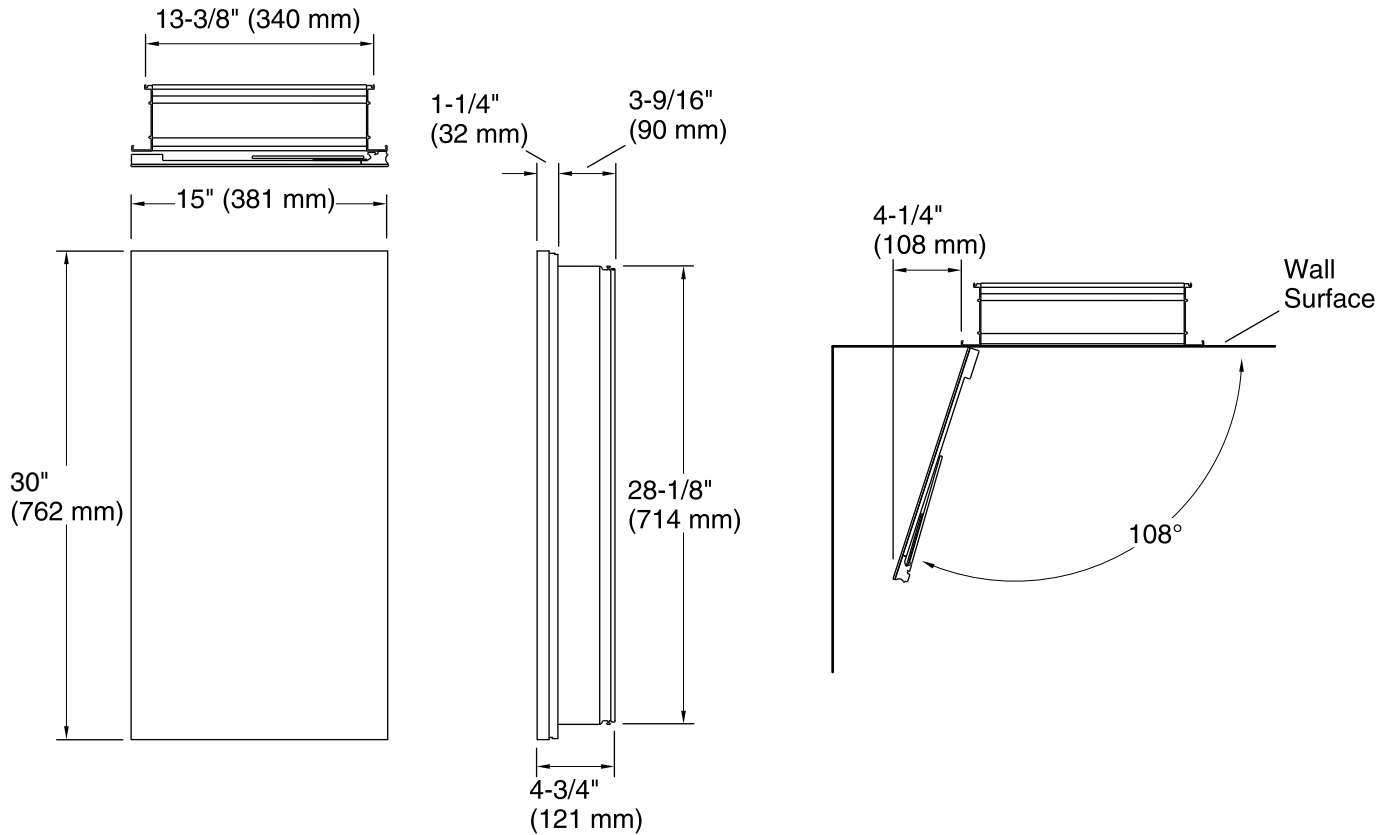
Optional Accessories

K-99661-15 Medicine Cabinet Surround
K-99662-15 Medicine Cabinet Surround
K-99663-15 Medicine Cabinet Surround
K-99662-24 Medicine Cabinet Surround
K-99662-40 Medicine Cabinet Surround

Codes/Standards

None Applicable

See website for detailed warranty information.



Technical Information

All product dimensions are nominal.

Notes

Install this product according to the installation guide.

To recess mount, the wall cavity must be framed and the cabinet secured to framing studs. Reroute electrical or water supply lines from the cavity. Consult a professional if drain or vent piping is encountered, or if the wall is load-bearing.

To determine the height of the cabinet, ensure the door will clear all obstacles (such as a faucet). A minimum 3" (76 mm) distance is required.

Cutout for recess-mount installation: 13-1/2" (343 mm) wide x 28-1/4" (718 mm) high x 3-11/16" (94 mm) deep.