

CL Water Series

High Efficiency Oil-Fired Cast Iron Boiler



- **Up to 86.1% AFUE, ENERGY STAR® Rated**
 - CL3-091, CL3-105, CL4-126 and CL5-168 meet ENERGY STAR® guidelines for energy efficiency
- **70 to 210 Net BTUs**
 - In 9 sizes
- **Chimney vented**
- **Integrated boiler control**
 - User-friendly
 - Energy-saving “thermal purge” feature circulates residual warm water in heating system prior to firing boiler
 - Combination high limit circulator relay
 - Extensively tested & proven
- **Cast iron heat exchanger**
 - Wet base design
- **Tankless coil available**
 - For domestic hot water
- **Metal section connectors**
 - Resistant to chemicals, offer increased boiler longevity
- **Designed for ease of service**
 - Swing-away cast iron door provides easy access to combustion chamber
- **Lifetime limited warranty**
 - See your installing contractor for more warranty information



New Yorker®
RESIDENTIAL HEATING BOILERS

MADE IN

U . S . A .

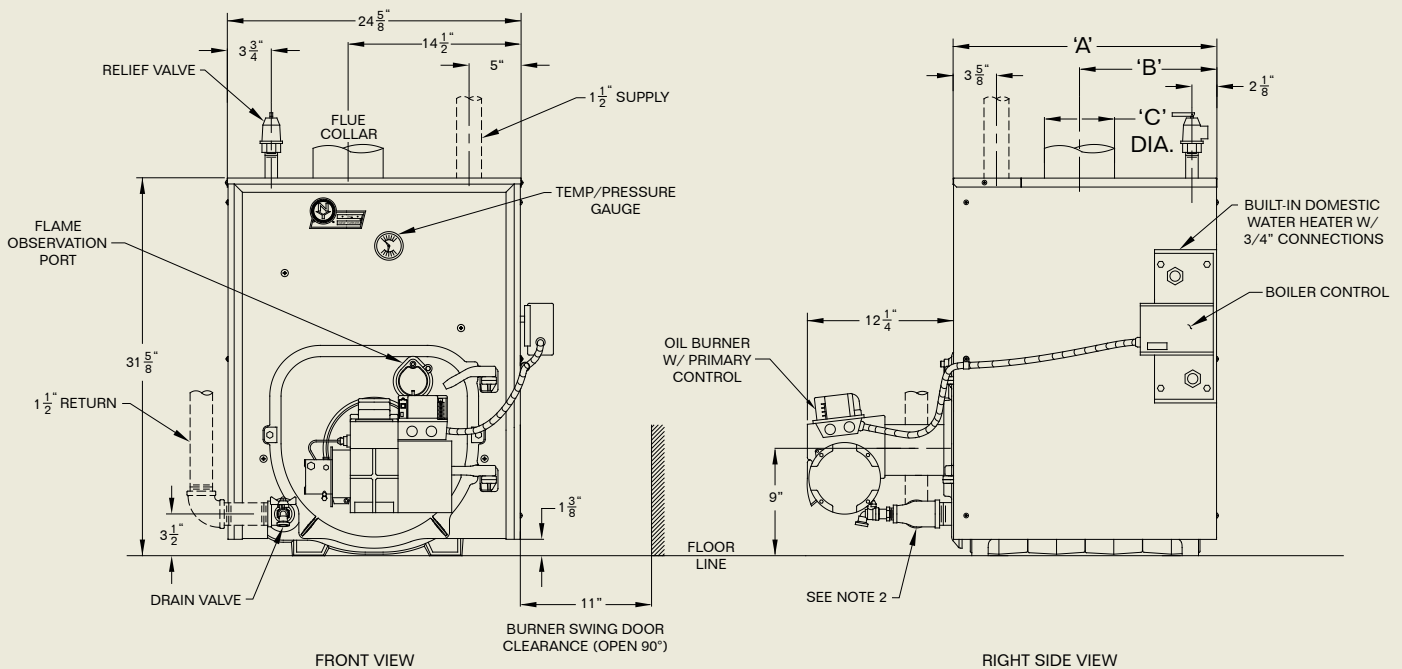
Ratings, Specifications, & Dimensions



Model	DOE Heating Capacity (MBH)	AHRI Net Ratings (MBH)	Burner Capacity (GPH)	AFUE (%)	Minimum Chimney Requirements	Tankless Heater (GPM)	Jacket Depth 'A'	Jacket Rear to Center of Flue 'B'	Flue Collar Diameter 'C'	Approx Ship Wt. (lbs.)
CL3-091	80	70	0.65	86.1	8" x 8" x15'	2.75	17-3/8"	8-1/4"	6"	560
CL3-105	92	80	0.75	86.0	8" x 8" x15'	3.00	17-3/8"	8-1/4"	6"	560
CL3-140	120	104	1.00	84.3	8" x 8" x15'	3.25	17-3/8"	8-1/4"	6"	560
CL4-126	111	97	0.90	86.0	8" x 8" x15'	3.25	22-3/8"	10-7/8"	7"	680
CL4-175	151	131	1.25	85.1	8" x 8" x15'	3.75	22-3/8"	10-7/8"	7"	680
CL4-210	179	156	1.50	84.0	8" x 8" x15'	4.00	22-3/8"	10-7/8"	7"	680
CL5-168	147	128	1.20	85.9	8" x 8" x15'	3.50	27-3/8"	13-3/8"	8"	800
CL5-245	212	184	1.75	85.1	8" x 8" x15'	4.25	27-3/8"	13-3/8"	8"	800
CL5-280	241	210	2.00	84.7	8" x 8" x15'	4.75	27-3/8"	13-3/8"	8"	800

Standard Features

- Fully packaged
- Integrated boiler control system
- Beckett AFG oil burner
- Beckett GeniSYS primary control
- Electronic ignitor 14KV
- Taco 007 circulator
- Metal section connectors
- Combustion target wall
- Vertical flue design
- Insulated jacket designed for easy removal
- Relief valve



Notes:

- Circulator supplied loose — may be installed on supply or return.
- Return fittings and drain valve shipped loose.
- Piping shown hidden not furnished with boiler.

