



Product Submittal	
Name	
Date	
Architect/Owner	
Contractor	
Tag	
Notes	

HoldRite HydroFlame™ Hollow Sleeves Specification Sheet/Drawing

The HoldRite HydroFlame™ Pro Series "Hollow Sleeves" are UL Listed Firestop Sleeves, when installed per UL System Drawings (with backing material & fire caulking). Telescoping hollow sleeves (7-1/2" thru 11-3/4") and Hollow ("B") sleeves (7-1/4" thru 8") with adjustable cap are available. Telescoping sleeves can be cut as short as 2-1/2" and (-B) sleeves can be cut as short as 3-1/2". For use with metallic pipes 1/2" thru 6" and for non-metallic pipes 1/2" thru 2". Optional Mid-Body Water Seal is available by ordering with a "-S" suffix on the model number. Safety Caps are OSHA compliant hole covers and include "Locator Whiskers". A wide variety of accessories can be added onto these sleeves. UL F-Rating can achieve 2 or 3 hours. UL T, L & W Ratings can also be achieved when installed per UL Systems.

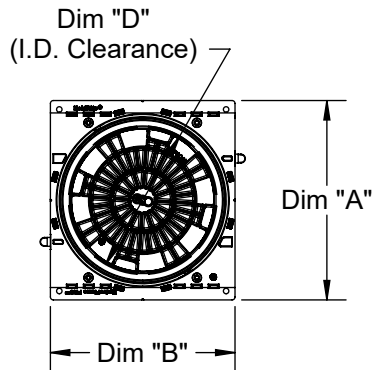
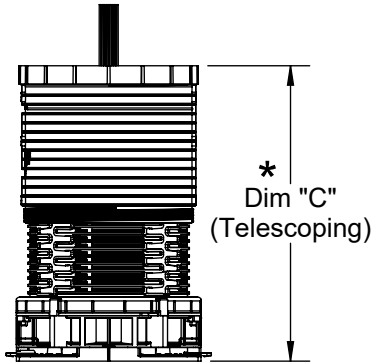


Buy American Act



Product Information:

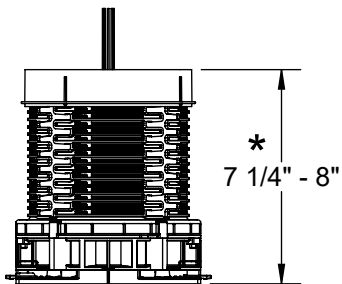
- Material:
 - Main Sleeve Body, Base & Safety Cap: Polypropylene.
 - Locator Whiskers: Polypropylene.
- Patented & Patents Pending.
- See Hydroflame™ Pro Series Installation Instructions, Best Practices documents and the latest UL Fire Resistive Directory file (R25101) for details.
- "FBC™ System Compatible indicates that this product has been tested, and is monitored on an ongoing basis, to assure its chemical compatibility with FlowGuard Gold®, BlazeMaster® and Corzon® piping systems and products made with TempRite® Technology." The FBC™ System Compatible Logo, FBC™, FlowGuard®, BlazeMaster®, Corzan®, and TempRite® are trademarks of Lubrizol Advanced Materials, Inc. or its affiliates."



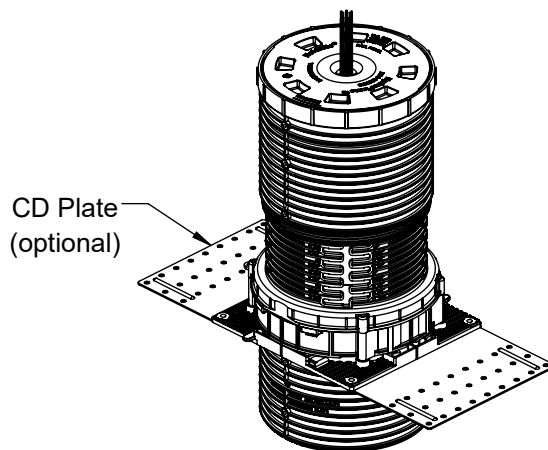
Dimension Chart					
Size	Dim "A"	Dim "B"	Dim "C"	Dim "D"	Pipe Size
HFP-H2*	4.25"	3.69"	7.50" - 11.75"	Ø 1.81	1/2" - 1-1/4"
HFP-H3*	4.87"	4.09"		Ø 2.83	1-1/4" - 2"
HFP-H4*	5.88"	4.95"		Ø 3.74	2" - 3"
HFP-H5*	6.75"	6.25"		Ø 4.82	3" - 4"
HFP-H6*	7.87"	7.99"		Ø 5.68	4" - 5"
HFP-H7*	9.25"	8.87"		Ø 6.82	5" - 6"

Note:

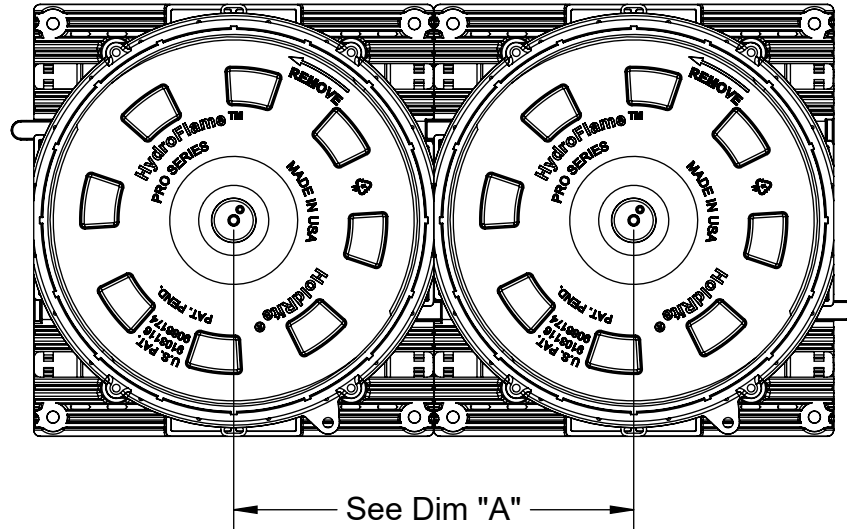
- a) Height range: 2-1/2" to 11-3/4".
- b) Height range: 3-1/2" to 8" ("-B" version).
- c) Both standard & "-B" style can be extended by adding Sleeving Extension (HFP-EXT-*).
- d) Sleeves with black Bases & black Locator Whiskers are for use with metallic penetrants.
- e) The use of the Locator Whiskers is optional.



Base model Version ("-B") with Adjustable Cap



Telescoping



Center to Center Dimensions		
Model #1	Model #2	Dim "A"
HFP-H2	HFP-H2	3.76"
HFP-H3	HFP-H3	3.96"
HFP-H4	HFP-H4	4.96"
HFP-H5	HFP-H5	6.25"
HFP-H6	HFP-H6	8.00"
HFP-H7	HFP-H7	8.88"
HFP-H2B	HFP-H2B	3.76"
HFP-H3B	HFP-H3B	3.96"
HFP-H4B	HFP-H4B	4.96"
HFP-H5B	HFP-H5B	6.25"
HFP-H6B	HFP-H6B	8.00"
HFP-H7B	HFP-H7B	8.88"