



Product Submittal	
Name	
Date	
Architect/Owner	
Contractor	
Tag	
Notes	

HoldRite HydroFlame™ Aerator Adapter Specification Sheet/Drawing

The HoldRite Hydroflame™ Pro Series "Aerator Adapter Box" is attached to the underside of the Pro Series cast-in-place firestop sleeves and provides an enlarged void usefull for recessed fitting joints in concrete ceilings. UL-Listed accessory when used with HoldRite's Hydroflame™ Pro Series Sleeves.



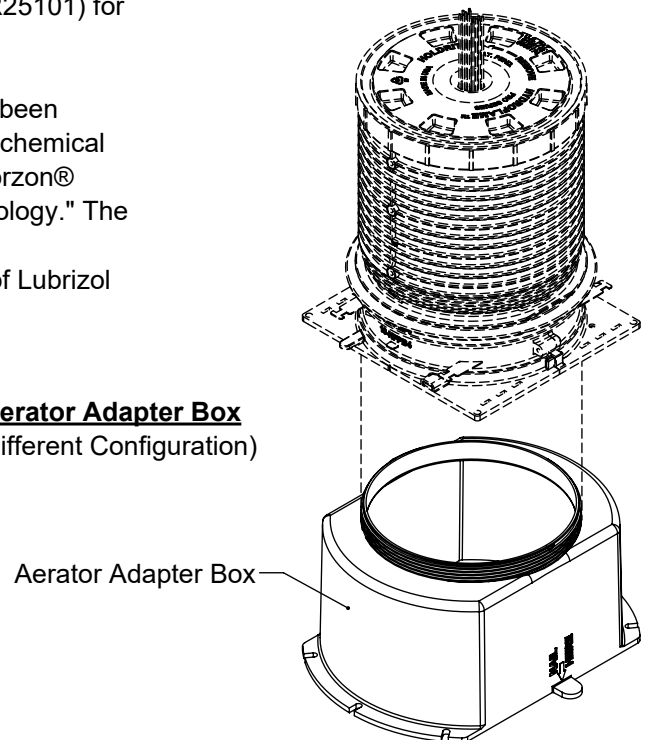
Buy American Act

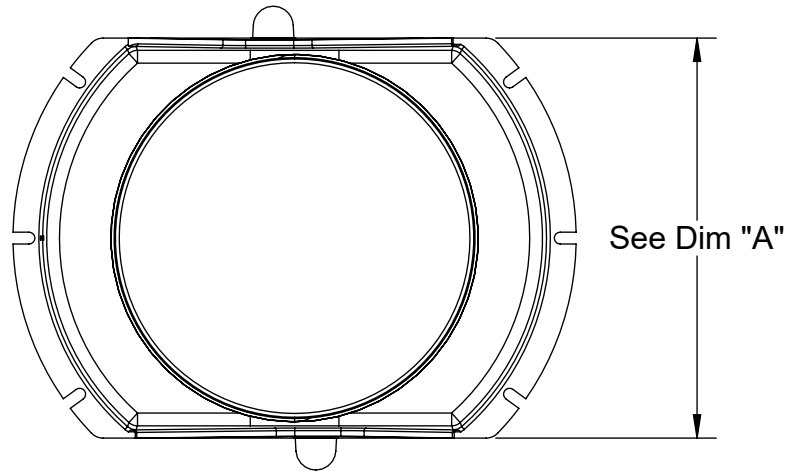


Product Information:

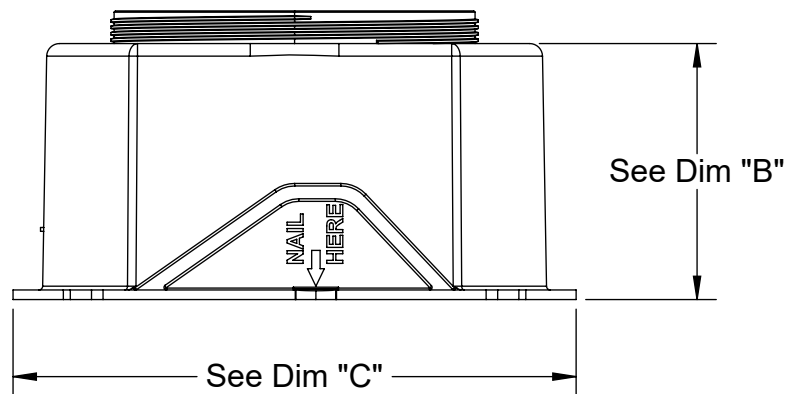
- Material:
 - Body (2", 3", 4" & 5"): Polypropylene
 - Body (6" ONLY): 24GA CRS
- HydroFlame™ Pro Sleeve tested in accordance to ASTM E90. Please see appropriate testing reports for further STC information.
- See Hydroflame™ Pro Series Installation Instructions, Best Practices documents and the latest UL Fire Resistive Directory file (R25101) for details.
- "FBC™ System Compatible indicates that this product has been tested, and is monitored on an ongoing basis, to assure its chemical compatibility with FlowGuard Gold®, BlazeMaster® and Corzon® piping systems and products made with TempRite® Technology." The FBC™ System Compatible Logo, FBC™, FlowGuard®, BlazeMaster®, Corzan®, and TempRite® are trademarks of Lubrizol Advanced Materials, Inc. or its affiliates."

Shown with 4" Aerator Adapter Box
2", 3", 4" & 5" (6" Different Configuration)





HFPA4 (4") Shown



Dimension Chart			
Model #	Dim "A"	Dim "B"	Dim "C"
HFPA2	4.00	2.63	6.12
HFPA3	6.00	2.63	6.85
HFPA4	6.25	4.00	8.80
HFPA5	8.00	4.00	9.00
HFPA6	10.00	3.50	10.00