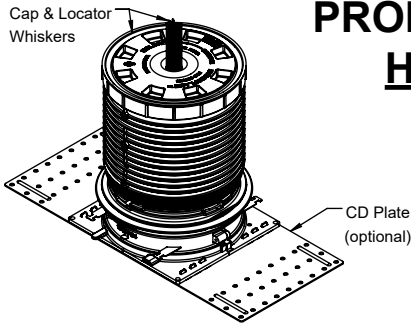
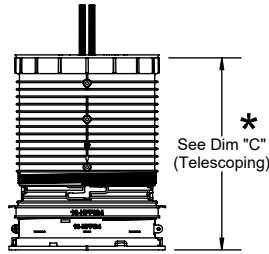


PRODUCT SPECIFICATION DRAWING

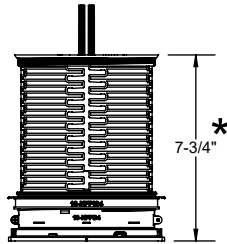
Hydroflame Pro Series Sleeves



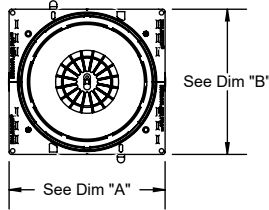
Safety Cap & Locator Whiskers Included
(Shown with optional CD Plate)
(OSHA Compliant Hole Cover)



*
See Dim "C"
(Telescoping)



Non-Telescoping Version ("B")



See Dim "B"

See Dim "A"

*Note:

- Height range: 2-1/2" to 12".
- Height range: 2-1/2" to 7-3/4" ("B" version).
- Both standard & "B" style can be extended by adding sleeving extension.
- Sleeves with black Bases & black Locator Whiskers are for use with metallic penetrants.
- Sleeve with red Bases & red Locator Whiskers are for use with either metallic or non-metallic (plastic) penetrants.
- The use of the Locator Whiskers is optional.

| Dimension Chart | | | | |
|-----------------|---------|---------|----------|-------------|
| Size | Dim "A" | Dim "B" | Dim "C" | Pipe Size |
| HFP-1* | 4-1/4" | 3-3/4" | 8" - 12" | 1/2" - 1" |
| HFP-2* | 4-5/8" | 3-7/8" | 8" - 12" | 1 1/4" - 2" |
| HFP-3* | 5-5/8" | 5" | 8" - 12" | 2" - 3" |
| HFP-4* | 6-1/2" | 6" | 8" - 12" | 3" - 4" |
| HFP-6* | 9-1/4" | 8-7/8" | 8" - 12" | 5" - 6" |

| Technical Data for HydroFlame Pro Firestop Device | |
|---|---|
| Product Test Criteria | |
| UL Fire Tested & Listed to UL1479 (ASTM E814) & CAN/ULC S115 | |
| UL Ratings (consult individual product specs & UL Systems): | |
| "L": Yes; "F": 3 Hrs. typical; "W": Yes (UL system may require caulk) | |
| Intumescent Fire Wrap Physical Properties, Performance | |
| Contains no solvents or carcinogenic fillers | |
| Color: | Gray/Black |
| Material shelf/store life: | Indefinite |
| Heat Expansion begins: | ≈ 375°F (191°C) |
| Greatest Expansion: | 575°F-1100°F (302°C - 593°C) |
| Constrained Expansion: | ≥ 18 times volume |
| Free Expansion: | ≥ 37 times volume |
| Expansion after accelerated weathering (tested to UL 1479): | |
| Temperature aging: | Pass - 270 days @ 158°F (70°C) |
| High humidity aging: | Pass - 180 days @ 97-100% humidity, 95°F (35°C) |
| Application Temperature: | Minimum 15°F (-9°C) / maximum 130°F (54°C) |
| Temperature Resistance: | Maximum 212°F (100°C) |
| Surface Burning Indicates (Per ASTM E84/UL 723): | |
| Flame spread: | 5 |
| Smoke developed: | 5 |

The HOLDRITE® Hydroflame Pro Series Sleeving System consists of UL & cUL listed assemblies that provide sleeving & firestop solutions for cast-in-place concrete floors. These sleeve products provide solutions for both metallic & non-metallic pipes, line-sets, cables, conduits, floor drains, tub drains, shower drains and toilet drains. For slabs 2 1/2" and thicker and for pipes, conduits & cables 1/2" - 6" nominal; 2 & 3 hour UL Fire Ratings and T, L & W- ratings available. 50 Pa ratings available. See UL Fire Resistive Directory (R25101) for further details. Sleeves are easily adapted for use on Corrugated Metal Decking with the use of HoldRite's CD Plates. 16 models include: #HFP-P/M1 (B), #HFP-P/M2 (B), #HFP-P/M3 (B), #HFP-P/M4 (B) and #HFP-P/M6 (B).

Tested to ASTM E90 standard test method for laboratory Measurement of Airborne Sound Transmission Loss in Building Partitions and Elements. Please see HOLDRITE Silencer Series brochure or appropriate testing reports for further information. Contact your HOLDRITE representative for any additional information.

Product Information:

- Material:
 - Main Sleeve Body & Safety Cap: Polypropylene
 - Mid-Body Seal: Thermoplastic Rubber (TPR); Mold & Fungus resistant per ASTM G-21.
 - Locator Whiskers: Polypropylene
 - Fire Ring: 24GA CRS
 - Firestop Material: UL Listed Intumescent Composite
- Patented & Patents Pending
- See Hydroflame Pro Series Installation Instructions, Best Practices documents and the latest UL Fire Resistive Directory file (R25101) for details.

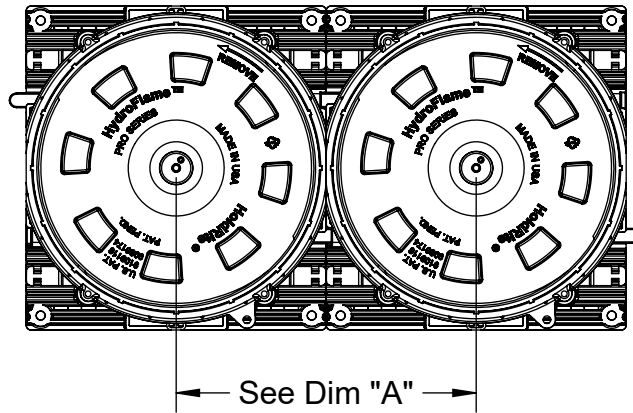
| Product Submittal | |
|--------------------|------|
| Job Name: | |
| Date: | |
| Part Number: | Qty: |
| Architect / Owner: | |
| Contractor: | |
| Notes: | |

THIS INFORMATION IS PROPRIETARY TO HOLDRITE AND IS SUBJECT TO CHANGE WITHOUT NOTICE. IT MAY NOT BE REPRODUCED IN PART OR WHOLE WITHOUT WRITTEN AUTHORIZATION.



PRODUCT SPECIFICATION DRAWING

Hydroflame Pro Series Sleeves. (cont.)



| Center to Center Dimensions | | |
|-----------------------------|----------|---------|
| Model #1 | Model #2 | Dim "A" |
| HFP-P1 | HFP-P1 | 3.76" |
| HFP-P2 | HFP-P2 | 3.96" |
| HFP-P3 | HFP-P3 | 4.96" |
| HFP-P4 | HFP-P4 | 6.25" |
| HFP-P5 | HFP-P5 | 8.00" |
| HFP-P6 | HFP-P6 | 8.88" |
| HFP-M1 | HFP-M1 | 3.76" |
| HFP-M2 | HFP-M2 | 3.96" |
| HFP-M3 | HFP-M3 | 4.96" |
| HFP-M4 | HFP-M4 | 6.25" |
| HFP-M5 | HFP-M5 | 8.00" |
| HFP-M6 | HFP-M6 | 8.88" |
| HFP-P1B | HFP-P1B | 3.76" |
| HFP-P2B | HFP-P2B | 3.96" |
| HFP-P3B | HFP-P3B | 4.96" |
| HFP-P4B | HFP-P4B | 6.25" |
| HFP-P5B | HFP-P5B | 8.00" |
| HFP-P6B | HFP-P6B | 8.88" |
| HFP-M1B | HFP-M1B | 3.76" |
| HFP-M2B | HFP-M2B | 3.96" |
| HFP-M3B | HFP-M3B | 4.96" |
| HFP-M4B | HFP-M4B | 6.25" |
| HFP-M5B | HFP-M5B | 8.00" |
| HFP-M6B | HFP-M6B | 8.88" |

THIS INFORMATION IS PROPRIETARY TO HOLDRITE AND IS SUBJECT TO CHANGE WITHOUT NOTICE. IT MAY NOT BE REPRODUCED IN PART OR WHOLE WITHOUT WRITTEN AUTHORIZATION.



Buy American Act



800-321-0316 OR 760-744-6944 / FAX: 760-744-0507 / WWW.HOLDRITE.COM
spec_HFP Series Sleeves, RevF, pg 2 of 2, 01-27-20