



Product Submittal	
Name	
Date	
Architect/Owner	
Contractor	
Tag	
Notes	

## HoldRite HydroFlame™ Firestop Sleeves Specification Sheet/Drawing

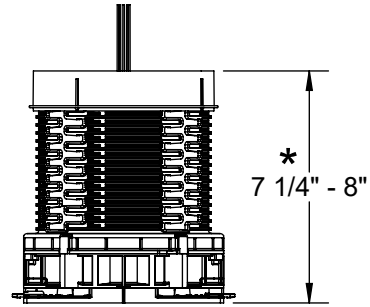
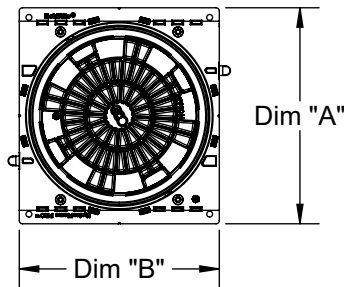
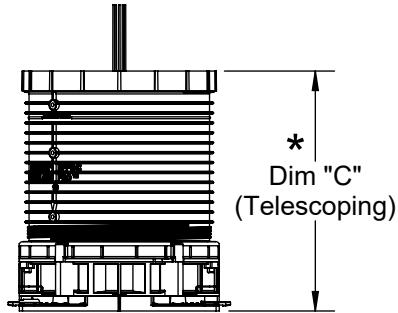
The HoldRite Hydroflame™ Pro Series Sleeving System consists of UL & cUL listed assemblies that provide sleeving & firestop solutions for cast-in-place concrete floors. These sleeve products provide solutions for both metallic & non-metallic pipes, line-sets, cables, conduits, floor drains, tub drains, shower drains and toilet drains. For slabs 2 ½" and thicker and for pipes, conduits & cables ½" - 6" nominal; 2 & 3 hour UL Fire Ratings and T, L & W-ratings available. 50 Pa ratings available. See UL Fire Resistive Directory (R25101) for further details. Sleeves are easily adapted for use on Corrugated Metal Decking with the use of HoldRite's CD Plates. 24 model numbers include: #HFP-P/M1 (B), #HFP-P/M2 (B), #HFP-P/M3 (B), #HFP-P/M4 (B), #HFP-P/M5 (B) and #HFP-P/M6 (B).

Tested to ASTM E90 standard test method for laboratory Measurement of Airborne Sound Transmission Loss in Building Partitions and Elements. Please see HoldRite Silencer Series brochure or appropriate testing reports for further information. Contact your HOLDRITE representative for any additional information.

### Product Information:

- Material:
  - Main Sleeve Body & Safety Cap: Polypropylene
  - Mid-Body Seal: Thermoplastic Rubber (TPR); Mold & Fungus resistant per ASTM G-21.
  - Locator Whiskers: Polypropylene
  - Fire Ring: 24GA CRS
  - Firestop Material: UL Listed Intumescent Composite
- Patented & Patents Pending
- See Hydroflame™ Pro Series Installation Instructions, Best Practices documents and the latest UL Fire Resistive Directory file (R25101) for details.
- "FBC™ System Compatible indicates that this product has been tested, and is monitored on an ongoing basis, to assure its chemical compatibility with FlowGuard Gold®, BlazeMaster® and Corzon® piping systems and products made with TempRite® Technology." The FBC™ System Compatible Logo, FBC™, FlowGuard®, BlazeMaster®, Corzan®, and TempRite® are trademarks of Lubrizol Advanced Materials, Inc. or its affiliates."



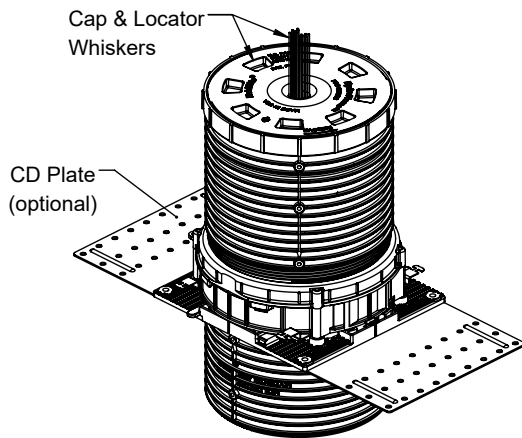


**("B") Series Firestop Sleeves (7-1/4" thru 8") with Adjustable Cap**

Note:

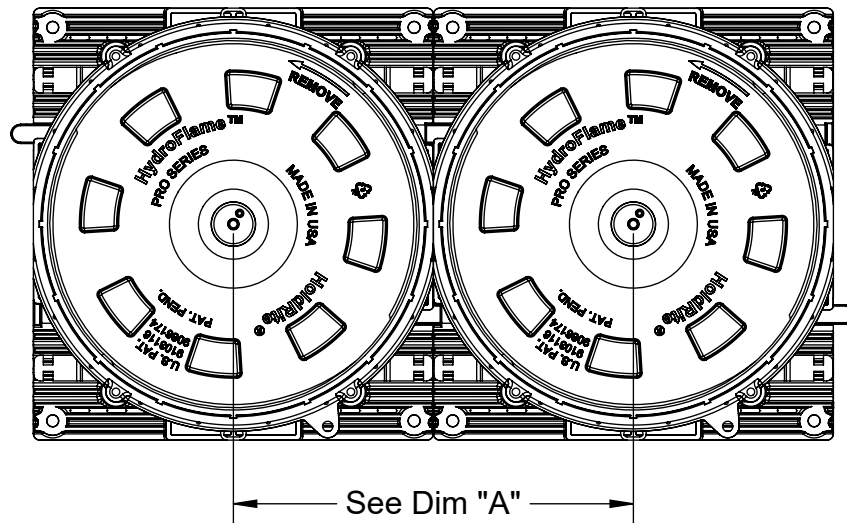
- a) Height range: 7-1/2" to 11-3/4" with telescoping feature. Sleeve can be cut as short as 2-1/2"
- b) Height range ("-B" version): 7-1/4" to 8" with adjustable cap. Sleeve can be cut as short as 3-1/2"
- c) Both standard. & "-B" style can be extended by adding Sleeve Extensions (HFP-EXT\*).
- d) Sleeves with black Bases & black Locator Whiskers are for use with metallic penetrants.
- e) Sleeves with red Bases & red Locator Whiskers are for use with either metallic or non-metallic (plastic) penetrants.
- f) The use of the Locator Whiskers is optional.

Dimension Chart				
Size	Dim "A"	Dim "B"	Dim "C"	Pipe Size
HFP-(P/M) 1	4.25"	3.69"	7.50" - 11.75"	1/2" - 1-1/4"
HFP-(P/M) 2	4.87"	4.09"		1-1/4" - 2"
HFP-(P/M) 3	5.88"	4.95"		2" - 3"
HFP-(P/M) 4	6.75"	6.25"		3" - 4"
HFP-(P/M) 5	7.78"	7.99"		4" - 5"
HFP-(P/M) 6	9.25"	8.87"		5" - 6"



**Safety Cap & Locator Whiskers Included**  
(Shown with optional CD Plate)  
(OSHA Compliant Hole Cover)

Technical Data for HydroFlame™ Pro Firestop Device	
<b>Product Test Criteria</b>	
UL Fire Tested & Listed to UL1479 (ASTM E814) & CAN/ULC S115	
UL Ratings (consult individual product specs & UL Systems):	
"L": Yes; "F": 3 Hrs. typical; "W": Yes (UL system may require caulk)	
<b>Intumescent Fire Wrap Physical Properties, Performance</b>	
Contains no solvents or carcinogenic fillers	
Color:	Gray/Black
Material shelf/store life:	Indefinite
Heat Expansion begins:	≈ 375°F (191°C)
Greatest Expansion:	575°F-1100°F (302°C - 593°C)
Constrained Expansion:	≥ 18 times volume
Free Expansion:	≥ 37 times volume
Expansion after accelerated weathering (tested to UL 1479):	
Temperature aging:	Pass - 270 days @ 158°F (70°C)
High humidity aging:	Pass - 180 days @ 97-100% humidity, 95°F (35°C)
Application Temperature:	Minimum 15°F (-9°C) / maximum 130°F (54°C)
Temperature Resistance:	Maximum 212°F (100°C)
Surface Burning Indicates (Per ASTM E84/UL 723):	
Flame spread:	5
Smoke developed:	5



Center to Center Dimensions		
Model #1	Model #2	Dim "A"
HFP-P1	HFP-P1	3.76"
HFP-P2	HFP-P2	3.96"
HFP-P3	HFP-P3	4.96"
HFP-P4	HFP-P4	6.25"
HFP-P5	HFP-P5	8.00"
HFP-P6	HFP-P6	8.88"
HFP-M1	HFP-M1	3.76"
HFP-M2	HFP-M2	3.96"
HFP-M3	HFP-M3	4.96"
HFP-M4	HFP-M4	6.25"
HFP-M5	HFP-M5	8.00"
HFP-M6	HFP-M6	8.88"
HFP-P1B	HFP-P1B	3.76"
HFP-P2B	HFP-P2B	3.96"
HFP-P3B	HFP-P3B	4.96"
HFP-P4B	HFP-P4B	6.25"
HFP-P5B	HFP-P5B	8.00"
HFP-P6B	HFP-P6B	8.88"
HFP-M1B	HFP-M1B	3.76"
HFP-M2B	HFP-M2B	3.96"
HFP-M3B	HFP-M3B	4.96"
HFP-M4B	HFP-M4B	6.25"
HFP-M5B	HFP-M5B	8.00"
HFP-M6B	HFP-M6B	8.88"