



Product Submittal	
Name	
Date	
Architect/Owner	
Contractor	
Tag	
Notes	

HoldRite HydroFlame™ Accessory - CD Plates Specification Sheet/Drawing

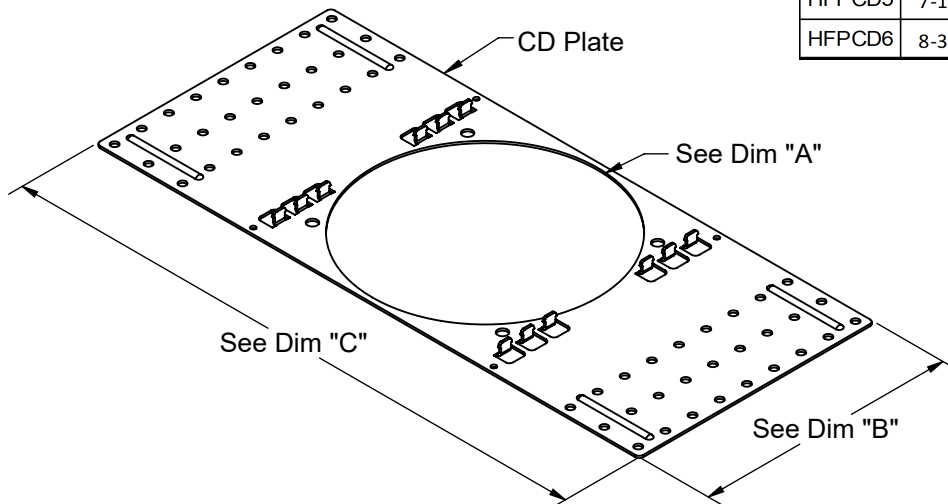


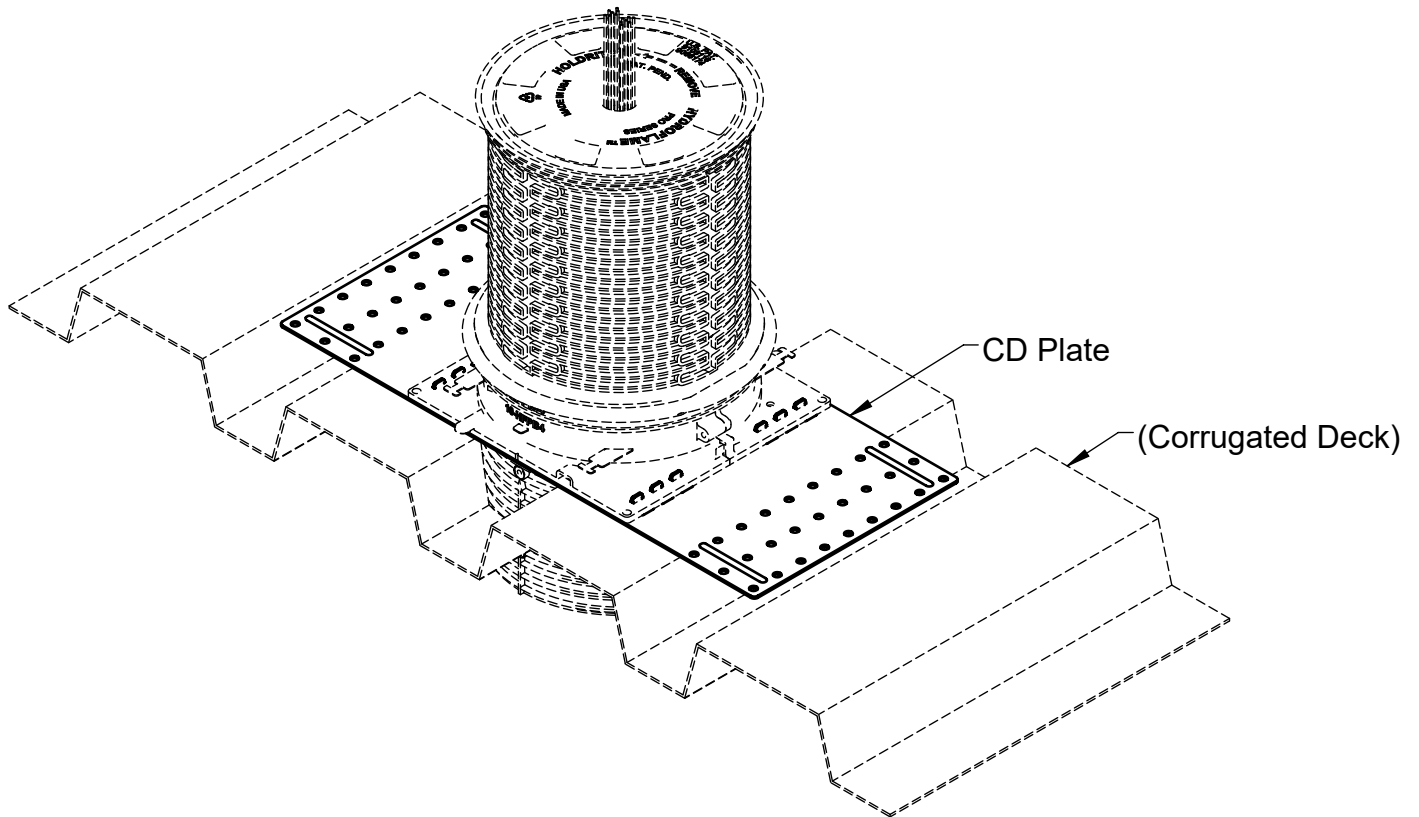
The HoldRite Hydroflame™ "Corrugated Metal Deck Plates" transition cast-in-place firestop sleeving devices from use on a flat form deck into a sleeve for use on a corrugated metal form deck. Available for all Pro Series Sleeve sizes. Steel plate snaps onto the Base of the sleeve securely. (#8 screws can be added for increased strength)

Product Information:

- Material: 18GA, Galvanized CRS
- Patents Pending
- See Hydroflame™ Pro Series Installation Instructions, Best Practices documents and the latest UL Fire Resistive Directory file (R25101) for details.

Dimension Chart				
Model	Dim "A"	Dim "B"	Dim "C"	Min. Deck Hole
HFPCD1	2-5/8"	3-3/4"	14"	2-7/8"
HFPCD2	3-3/4"	4"	14"	4"
HFPCD3	4-3/4"	5"	14"	5"
HFPCD4	5-3/4"	6"	14"	6"
HFPCD5	7-1/2"	8"	14"	7-3/4"
HFPCD6	8-3/8"	8-7/8"	14"	8-5/8"





Shown with Corrugated Metal Deck Application
(All Sizes, 1", 2", 3", 4", 5" & 6")