



ASSA ABLOY

Installation Instructions

8000 Series Tri-Style

Non Handed Door Closer

Non Hold Open Models

Sized
(Sizes 2,3,4,5,6)

8100

8300

8500

Adjustable
(Sizes 1 thru 6)

8301

8501

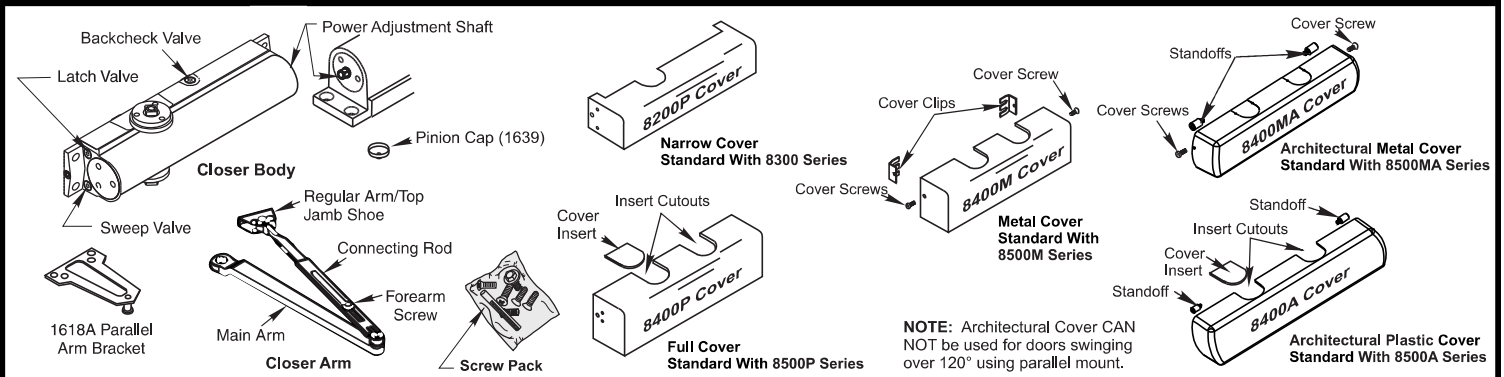
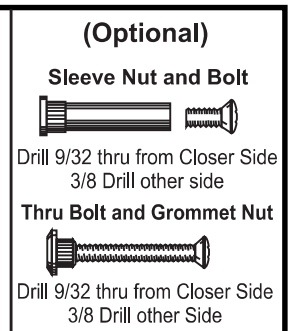
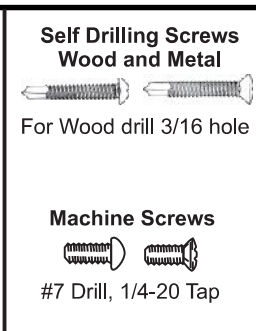
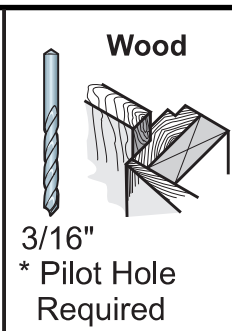
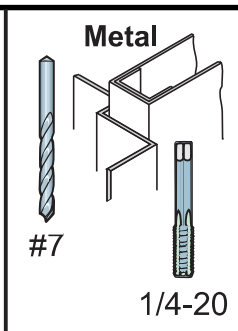
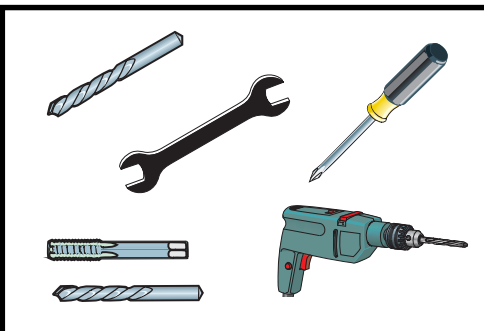
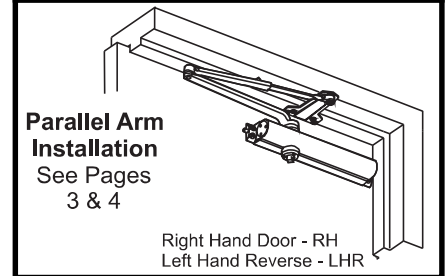
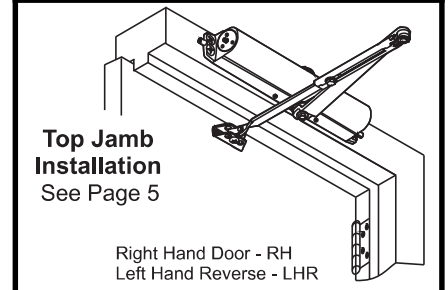
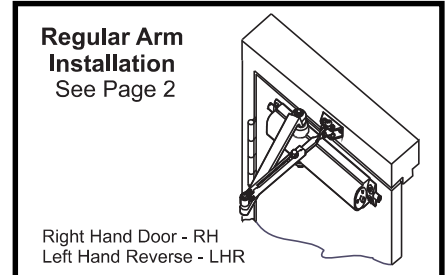
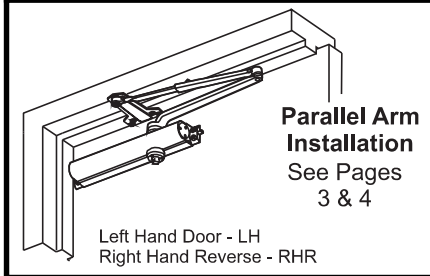
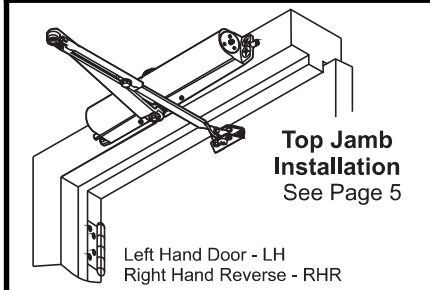
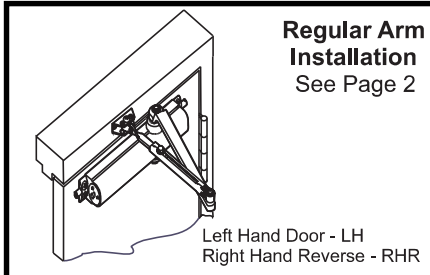


CAUTION An Incorrectly installed or improperly adjusted door closer can cause property damage or personal injury. These installation instructions should be followed to avoid the possibility of misapplication or misadjustment. **CAUTION**

"DA" suffix (Delayed Action) is an optional feature.

NOTE: For special applications a separate door and frame preparation template is packed with these instructions. Use this instruction sheet for installation sequence and closer adjustments only.

- Doors should be hung on ball bearing or anti-friction hinges.
- A separate door stop is recommended.
- Door and frame must be properly reinforced.
- Always adjust spring power before adjusting control.
- Adjust closing time speed between 3 and 7 seconds from 90° to 0°. Greater closing times may be required for elderly or handicapped.
- These door closers should NOT be installed on the exposed side (weather side) of exterior doors.



1 Parts

Optional
Covers

2 Mark and Drill Holes

Right Hand Shown

3 Installation Sequence

Optional
H

For 8500 Architectural Cover Only
Spring Power Adjust (If Necessary)

Opening	Dimension "A"	Inches (mm)
To 100°	7-1/2 (191)	
101° to 130°	6 (152)	
131° to *180°	4-1/2 (114)	

* Door/Wall/Hardware/Jamb conditions permitting

4 Sweep

6 Backcheck

Caution: Don't completely close valve

5 Latch

Pinion Cap or Optional Cover

8300 Series
Screw pinion cap onto pinion shaft by hand or with a Phillips screw driver - DO NOT OVER TIGHTEN.

Optional 8500M Metal Cover Installation

2 Cover Screws

8400M Cover

2 Clips for metal covers 8500M

Parts **1**

Optional Covers

Mark and Drill Holes **2**

Inches (mm) *Right Hand Shown* * Door/Wall/Hardware/Jamb conditions permitting

Opening	Dimension "A"
To 100°	7-1/2 (191)
101° to 130°	6 (152)
131° to *180°	4-1/2 (114)

A longer connecting rod, 7701-1A, is required for reveals greater than 3" (76)

Reveal

Installation Sequence **3**

Optional H A Clips for metal covers 8500M E 90° B C D F G Spring Power Adjust (If Necessary) H Optional For 8500 Architectural Cover Only

Sweep **4**

Backcheck **6**

Caution: Don't completely close valve

Latch **5**

Pinion Cap or Optional Cover

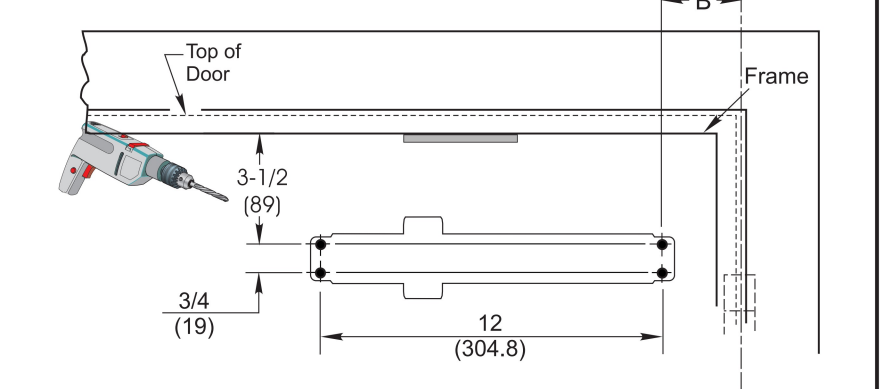
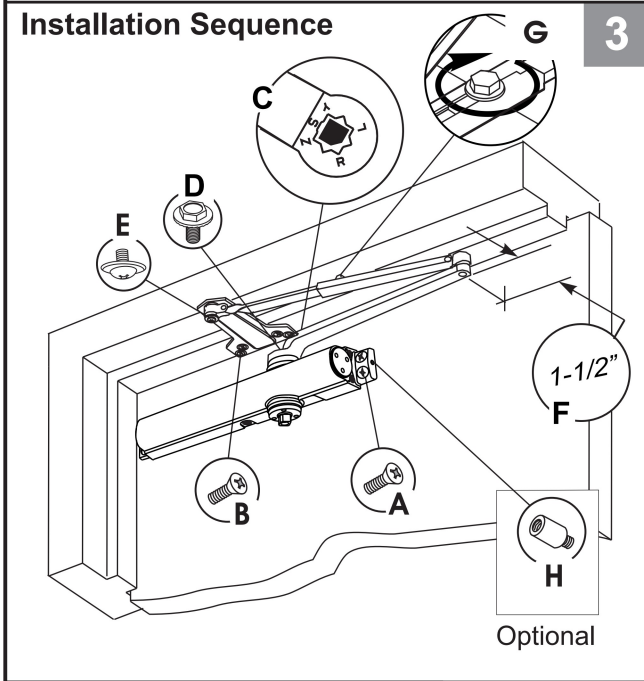
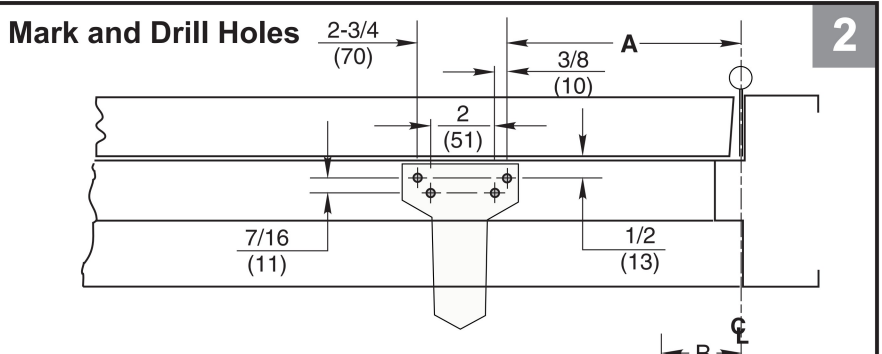
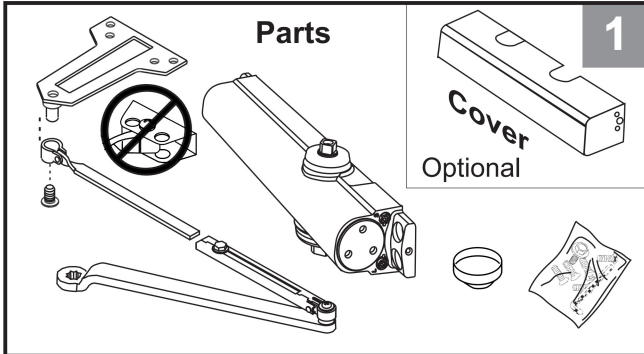
8300 Series
Screw pinion cap onto pinion shaft by hand or with a Phillips screw driver - DO NOT OVER TIGHTEN.

Optional 8500M Metal Cover Installation **7**

2 Cover Screws
2 Clips for metal covers 8500M

Non Hold Open Door Closers — Parallel Arm

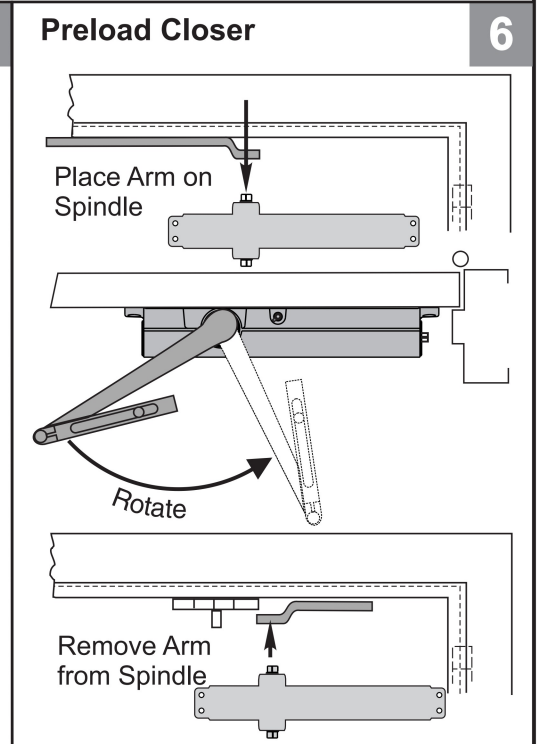
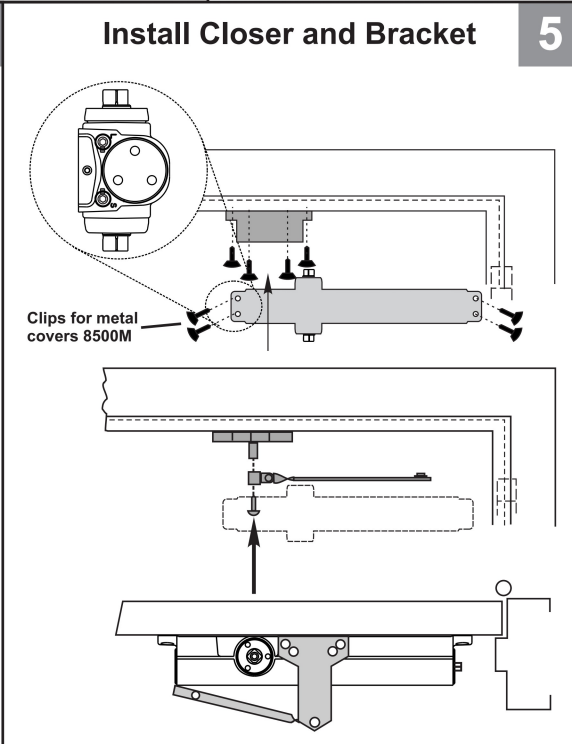
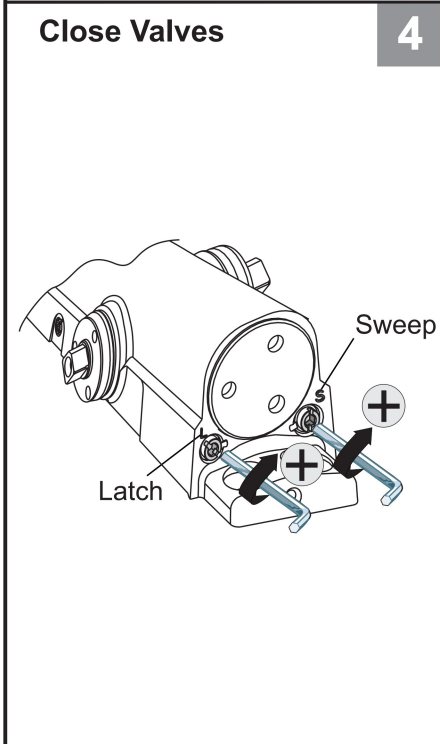
ASSA ABLOY



Right Hand Shown
Inches
(mm)

Door Opening	A	B
To 120°	9-1/2 (241)	3-3/4 (95)
*121° to 180°	7 (178)	1-1/4 (32)

* Door/Wall/Hardware/Jamb conditions permitting. 8500A and 8500MA Series cannot be installed for this door opening range.

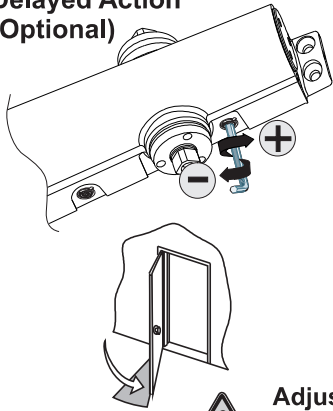


<p>7</p> <p>Right Hand Door or Left Hand Door</p> <p>Flat</p> <p>Flat</p> <p>A</p> <p>B</p>	<p>8</p> <p>Open Valves</p> <p>Sweep</p> <p>Latch</p> <p>Caution: Don't remove valves</p>	<p>9</p> <p>Assemble Arm</p>
<p>10</p> <p>Arm Screw</p> <p>1-1/2 (38)</p>	<p>11</p> <p>Spring Power Adjust (If necessary)</p> <p>(Use 5/16" socket or adjustable wrench for this Adjustment)</p>	<p>12</p> <p>Sweep</p>
<p>14</p> <p>Backcheck</p> <p>Caution: Don't completely close valve</p>	<p>15</p> <p>Pinion Cap or Optional Cover</p> <p>(2)</p> <p>8400M Cover</p> <p>2 Cover Screws</p> <p>2 Clips for metal covers 8500M</p> <p>8300 Series OR</p> <p>Screw pinion cap onto pinion shaft by hand or with a Phillips screw driver - DO NOT OVER TIGHTEN.</p>	<p>13</p> <p>Latch</p>

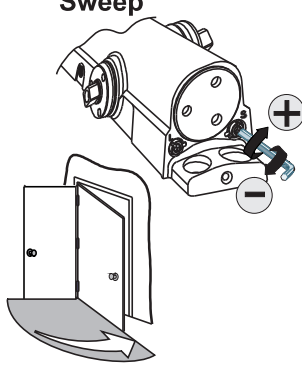
8000 Series

(Use 1/8" Hex Wrench for these Adjustments)

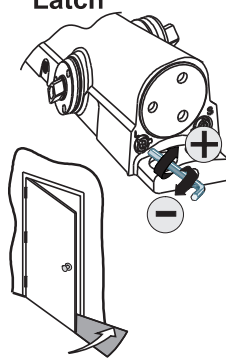
Delayed Action (Optional)



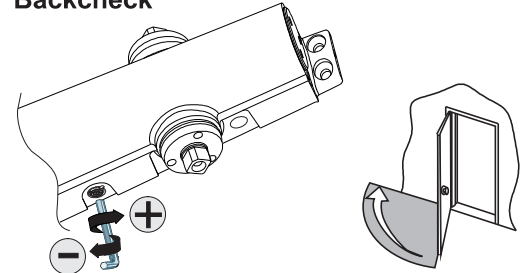
Sweep



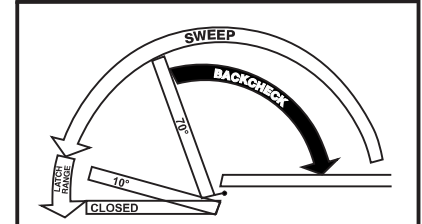
Latch



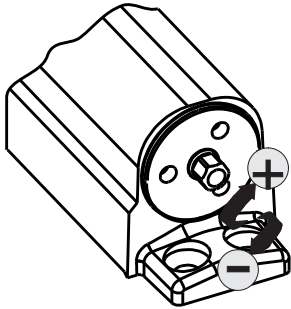
Backcheck



Adjust Closing Speed Time to between 3 to 7 seconds from 90°. Use of the door by handicapped, elderly or small children may require greater closing time.



Spring Power Adjust



(Use 5/16" Socket or Adjustable Wrench for this Adjustment)

Adjustment Chart (8301 & 8501 Only)

				Number of Turns Required			
				MAXIMUM DOOR SIZE			
	DOOR	TYPE OF INST.	*	32" (0.85M)	36" (0.90M)	42" (1.00M)	48" (1.20M)
8100/8300/8500	INTERIOR	Regular Arm Top Jamb	FULL 360° TURNS OF 5/16 POWER ADJUSTMENT WRENCH	5	8	11	13
		Parallel Arm		7	10	13	16
	EXTERIOR	Regular Arm Top Jamb		7	10	13	16
		Parallel Arm		9	12	15	18

*20 FULL (360°) TURNS MAXIMUM AVAILABLE
Closer is shipped set at mid range setting = 10 turns

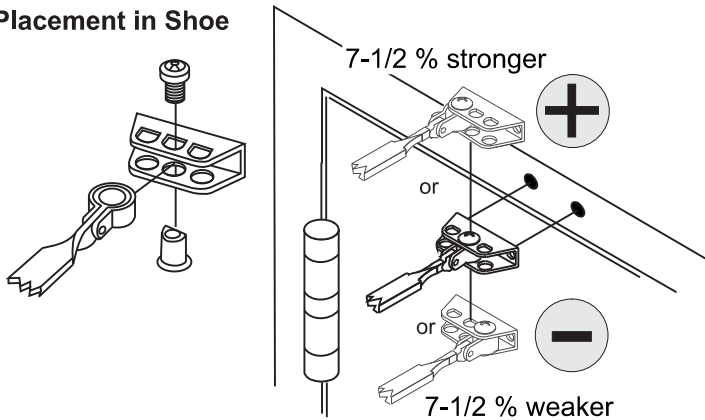


The closing force for series 8301 & 8501 door closers is adjustable from a size 1 to a size 6, as outlined in ANSI Standard A156.4. When these series of door closers are installed and adjusted to conform to ADA reduced opening force requirements (5 lbs max.) for interior doors, they may not have adequate closing force to reliably close and latch the door. Power adjustments charted on this page are recommended where possible, to ensure proper door control.



By law the Americans with Disabilities Act (ADA) may require that door closer installation comply with accessibility guidelines.

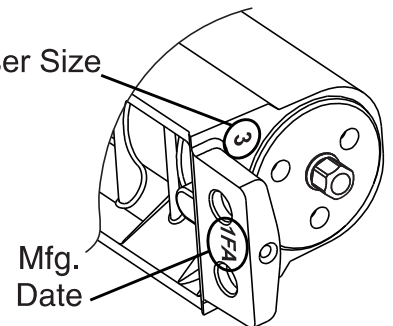
Arm Placement in Shoe



To identify your model:

- Blank = 8301/8501
- 2 = 8302/8502
- 3 = 8303/8503
- 4 = 8304/8504
- 5 = 8305/8505
- 6 = 8306/8506

Closer Size



Norton
ASSA ABLOY

3000 Highway 74 East • Monroe, NC 28112
Tel: (877)-974-2255 • Fax: (800)-338-0965
www.nortondoortcontrols.com