



ASSA ABLOY

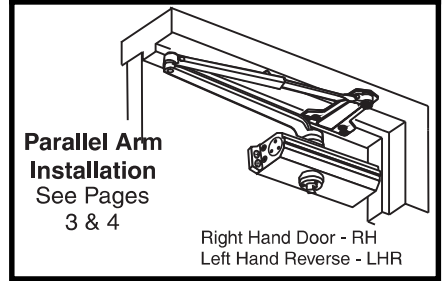
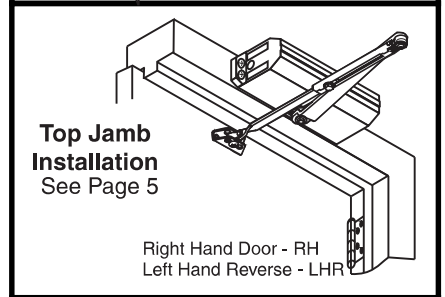
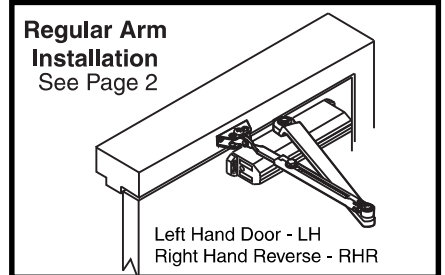
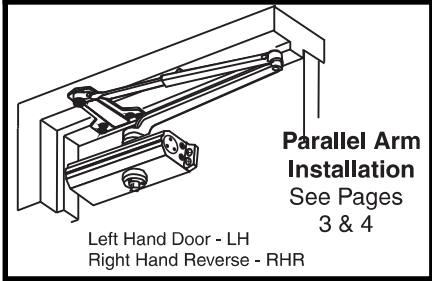
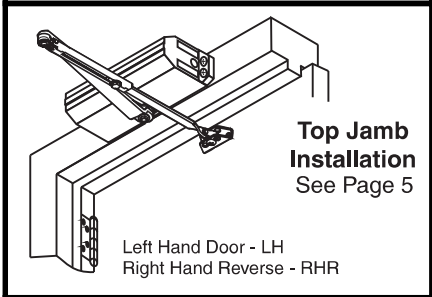
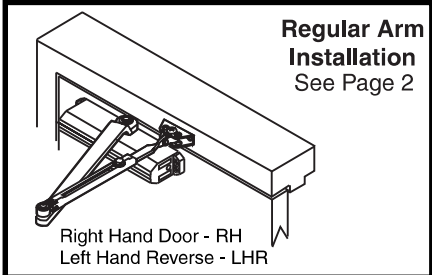
Installation Instructions

Tri-Style 1600 Series Non Handed Door Closer

Non Hold Open Models

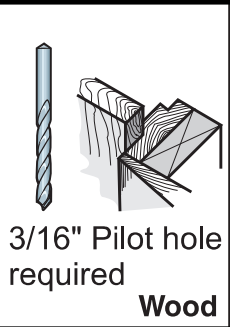
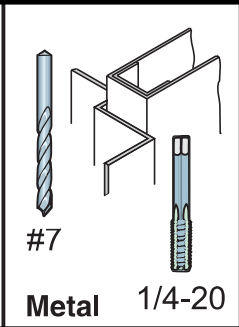
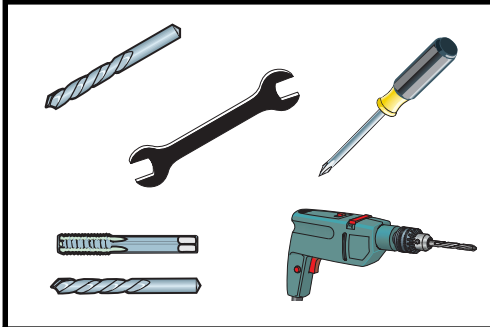
Weaker	Sized (Sizes 3,4)	Adjustable (Sizes 1 thru 6)
↓ Stronger	1603BC 1604BC	1601

CAUTION An Incorrectly installed or improperly adjusted door closer can cause property damage or personal injury. These installation instructions should be followed to avoid the possibility of misapplication or misadjustment.



NOTE: For special applications a separate door and frame preparation template is packed with these instructions. Use this instruction sheet for installation sequence and closer adjustments only.

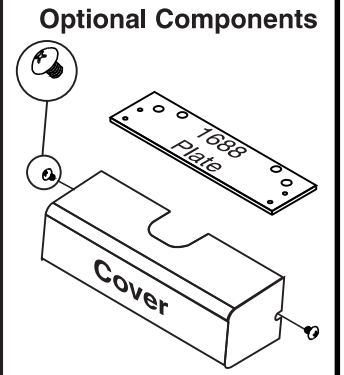
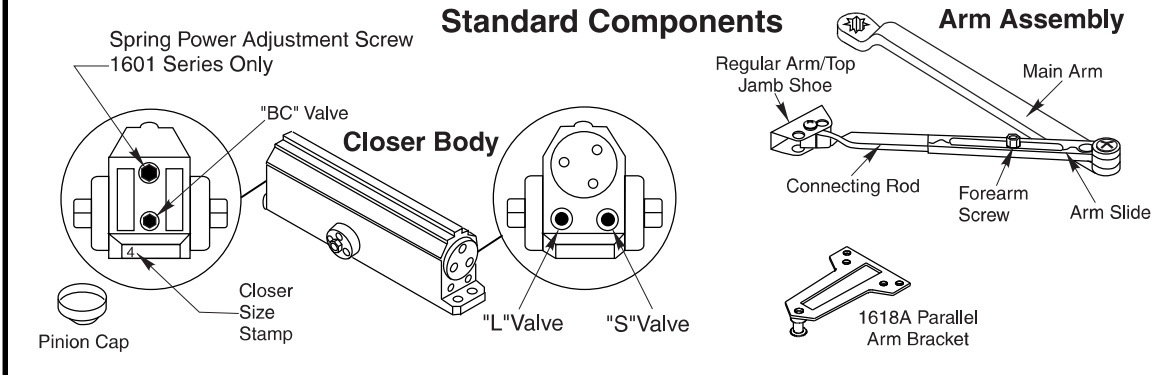
- Doors should be hung on ball bearing or anti-friction hinges.
- A separate door stop is recommended.
- Door and frame must be properly reinforced.
- Adjust closing time speed between 3 and 7 seconds from 90° to 0°.
- These door closers should NOT be installed on the exposed side (weather side) of exterior doors.



Self Drilling Screws
Wood and Metal
For Wood drill 3/16 hole

Machine Screws
#7 Drill, 1/4-20 Tap

(Optional)
Sleeve Nut and Bolt
Drill 9/32 thru from Closer Side
3/8 Drill other side
Thru Bolt and Grommet Nut
Drill 9/32 thru from Closer Side
3/8 Drill other Side



1600 Series

Non Hold Open Door Closers — Regular Arm



ASSA ABLOY

1 Parts

Optional Cover

2

Right Hand Shown

Opening	Dimension "A"	Inches (mm)
To 100°	$\frac{7}{(178)}$	
101° to 120°	$\frac{6}{(152)}$	
* 121° to 180°	$\frac{3-1/2}{(89)}$	

* Door/Wall/Hardware/Jamb conditions permitting

3

G

Stronger +
Weaker -

1601 Only
Spring Power Adjust
(If Necessary)

4 Sweep

Slower -
Faster +

5 Latch

Faster +
Slower -

6 Backcheck

Stronger +
Weaker -

Caution:
Don't completely close valve

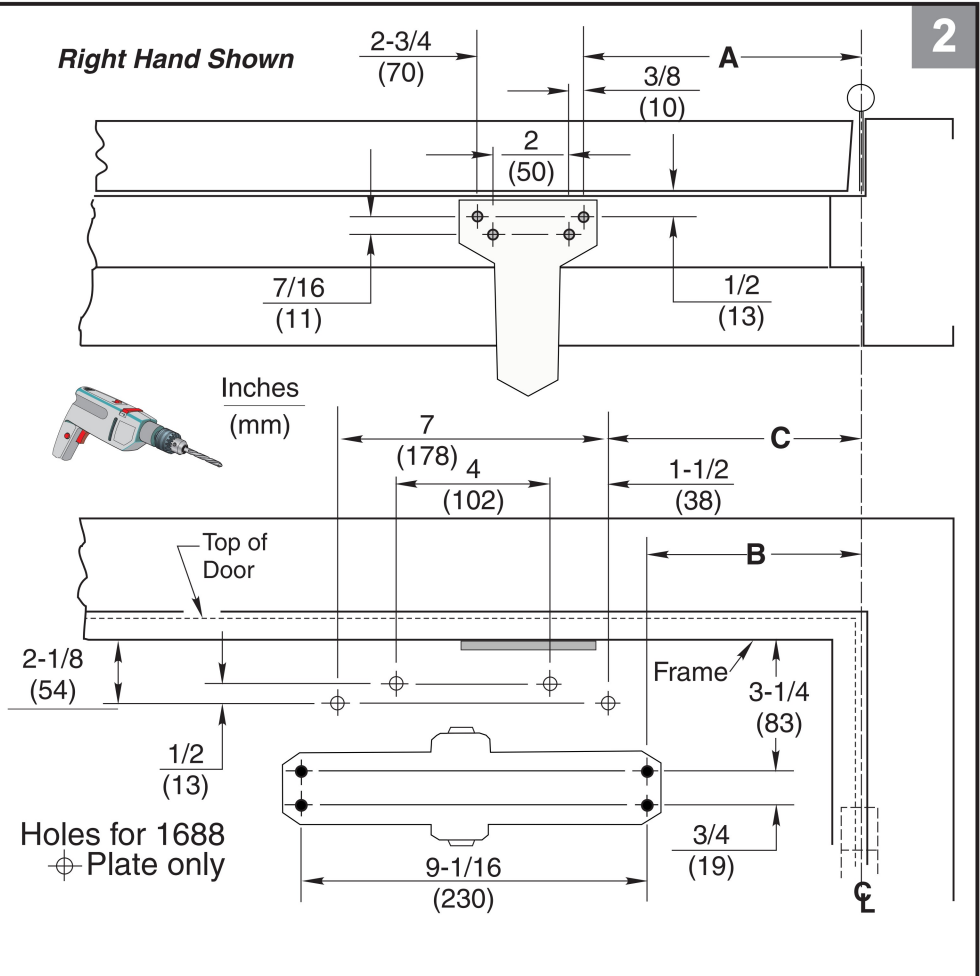
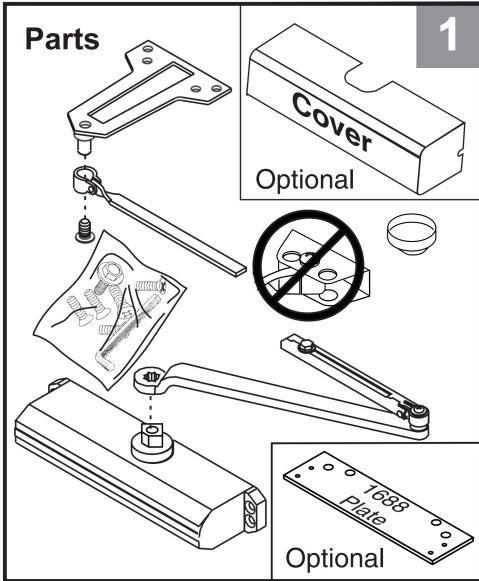
7 Pinion Cap or Optional Cover

1600 Series

Non Hold Open Door Closers — Parallel Arm

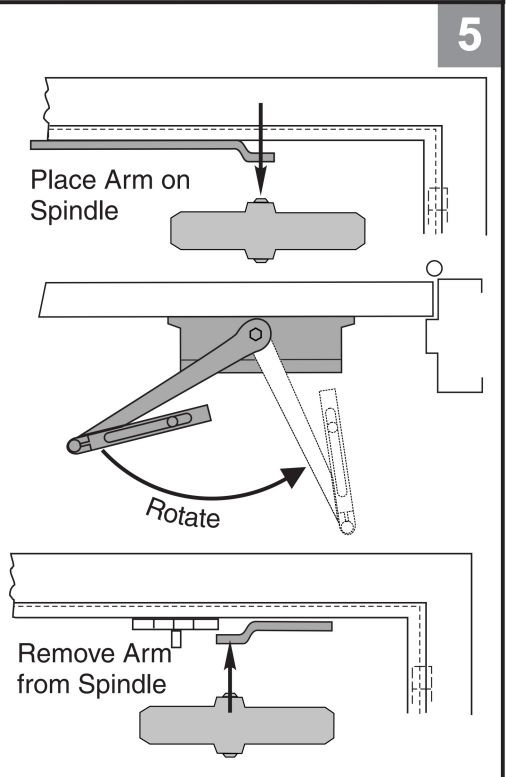
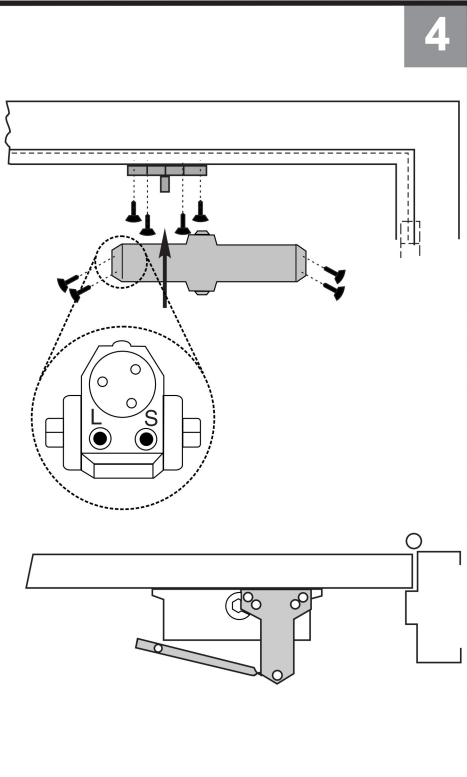
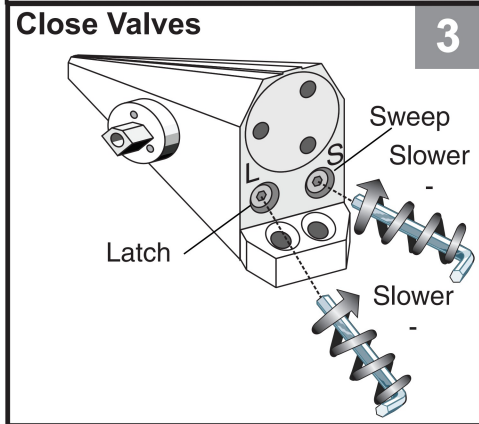


ASSA ABLOY



Door Opening	A	B	C
To 100°	9-1/4 (235)	7-5/8 (194)	8-5/8 (219)
101° to 130°	7-3/4 (197)	6-1/8 (156)	7-1/8 (181)
*131° to 180°	5-3/4 (146)	4-1/8 (105)	5-1/8 (130)

* Door/Wall/Hardware/Jamb conditions permitting



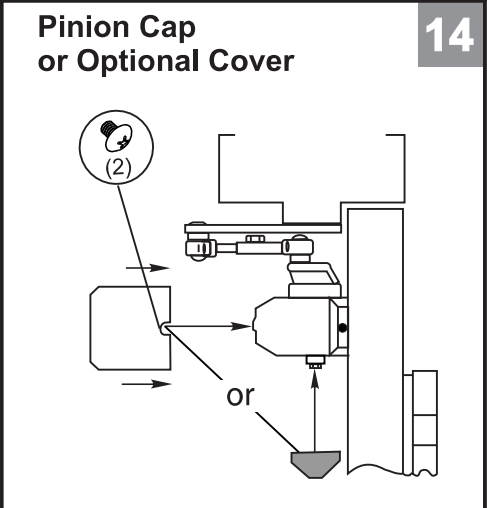
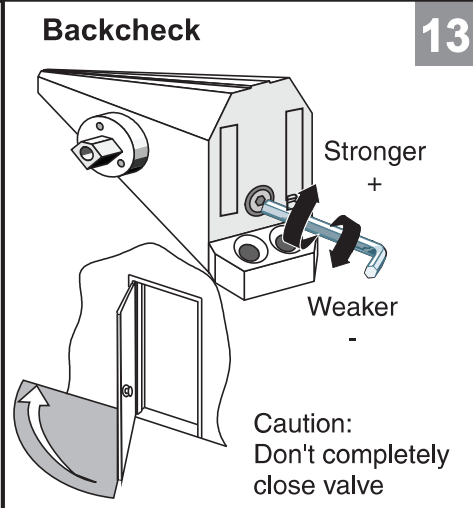
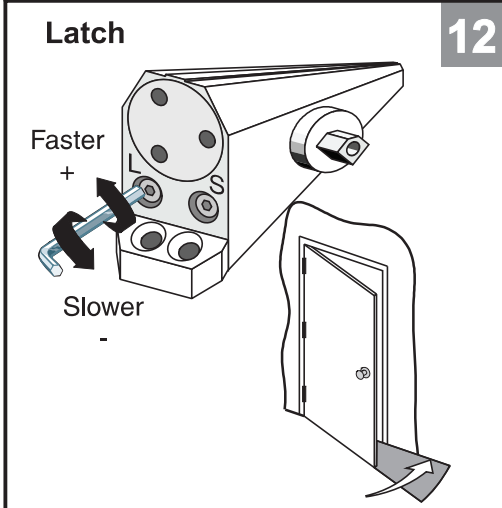
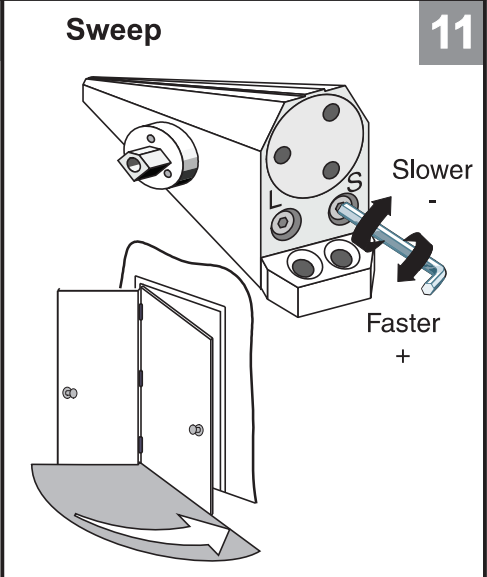
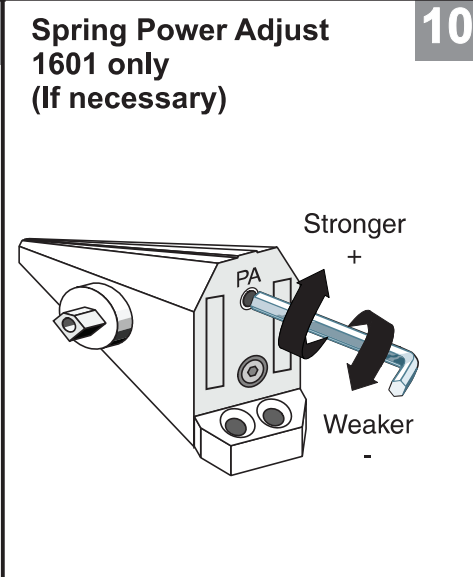
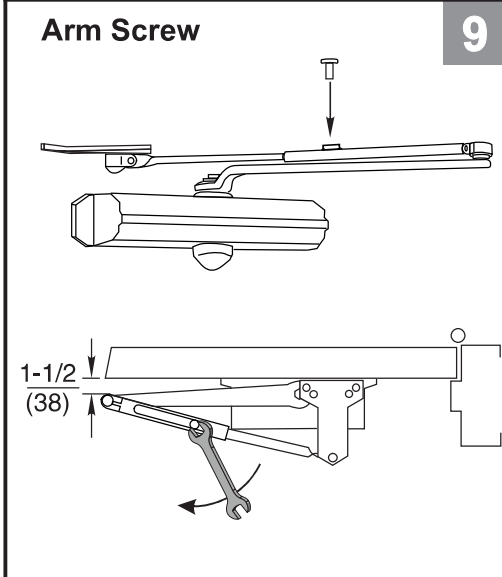
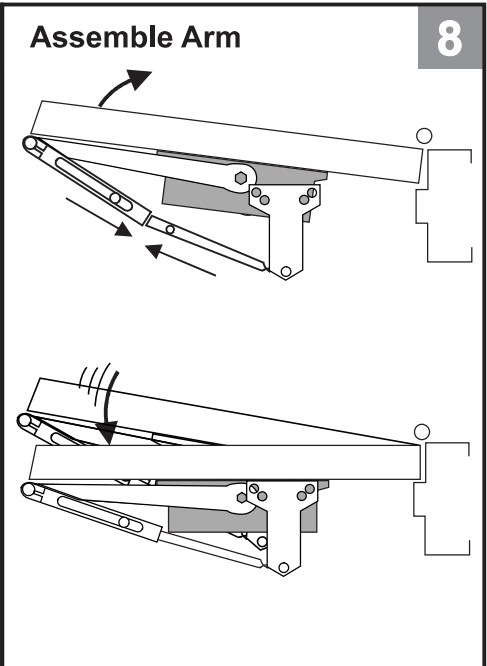
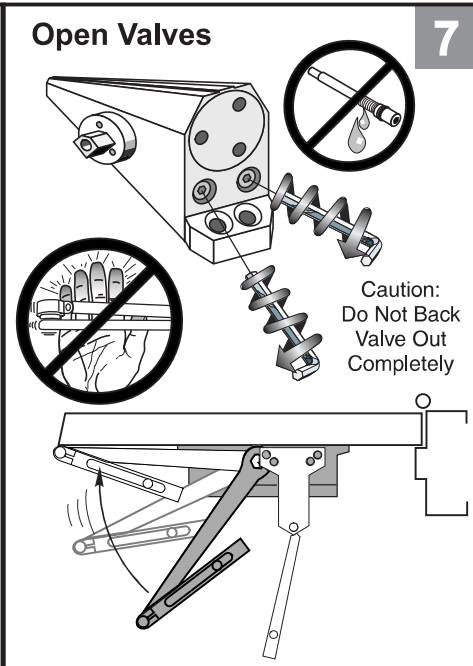
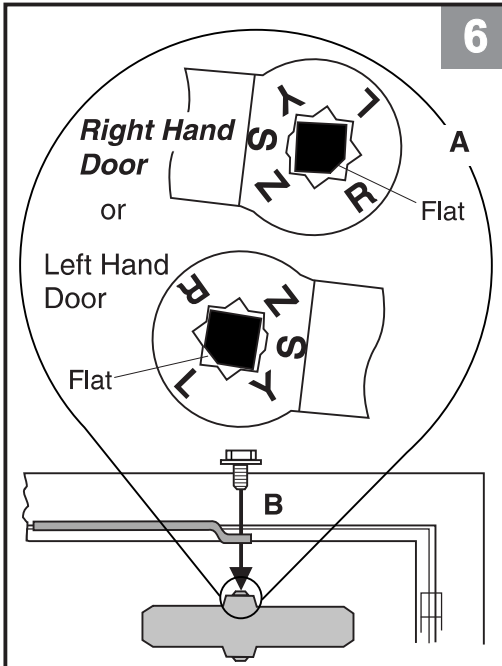
See Step 6 on Page 4

1600 Series

Non Hold Open Door Closers — Parallel Arm



ASSA ABLOY



1600 Series

Non Hold Open Door Closers — Top Jamb Arm



ASSA ABLOY

1 Parts

Optional Cover

2

Inches (mm) * Door/Wall/Hardware/Jamb conditions permitting

Opening	Dimension "A"
To 100°	7-1/2 (191)
101° to 120°	6 (152)
*121° to 180°	3-1/2 (89)

Right Hand Shown

A longer connecting rod is required for reveals greater than 3" (76)

3

4 Sweep

5 Latch

6 Backcheck

Caution: Don't completely close valve

7 Pinion Cap or Optional Cover

1600 Series Adjustments

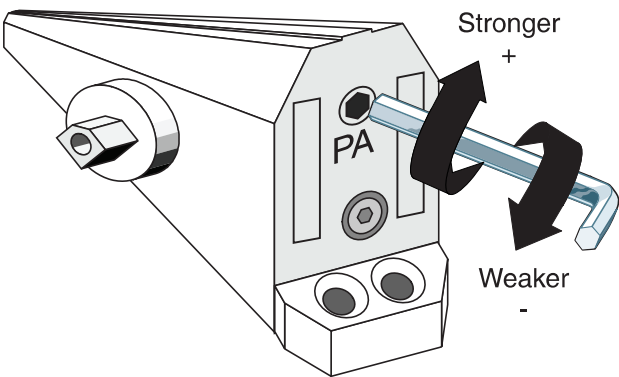
Sweep

Latch

(Use 1/8" Hex Wrench for these Adjustments)

Backcheck

Spring Power Adjust 1601 only

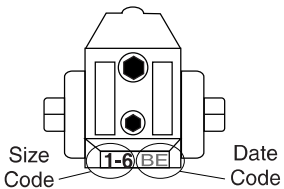


(Use 3/16" Hex Wrench for this Adjustment)

Adjustment Chart				Number of Turns Required				
	DOOR	TYPE OF INST.	*	MAXIMUM DOOR SIZE				
				34" (0.85M)	36" (0.90M)	40" (1.00M)	44" (1.10M)	48" (1.20M)
1601	INTERIOR	Regular Arm Top Jamb	FULL 360° TURNS OF 3/16 POWER ADJUSTMENT WRENCH	2	4	6	10	12
		Parallel Arm		3	5	8	11	14
	EXTERIOR	Regular Arm Top Jamb		3	5	8	11	14
		Parallel Arm		5	8	11	16	19

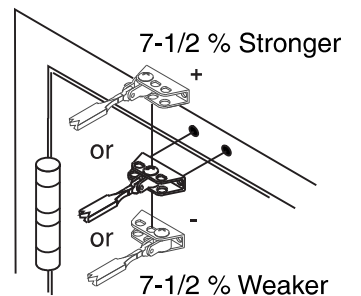
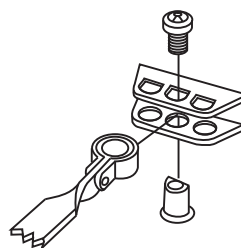
*30 FULL (360°) TURNS MAXIMUM AVAILABLE
 = 8 Turns As Shipped

To identify your model:



1-6=1601
 3=1603BC
 4=1604BC

Arm Placement in Shoe



ASSA ABLOY

3000 Highway 74 East • Monroe, NC 28112
 Tel: (800)-438-1951 ext. 6030
www.nortondoorcontrols.com
 support.aadcg@assaabloy.com

ASSA ABLOY, the global leader in door opening solutions

80-9316-2531-020 Rev 1