

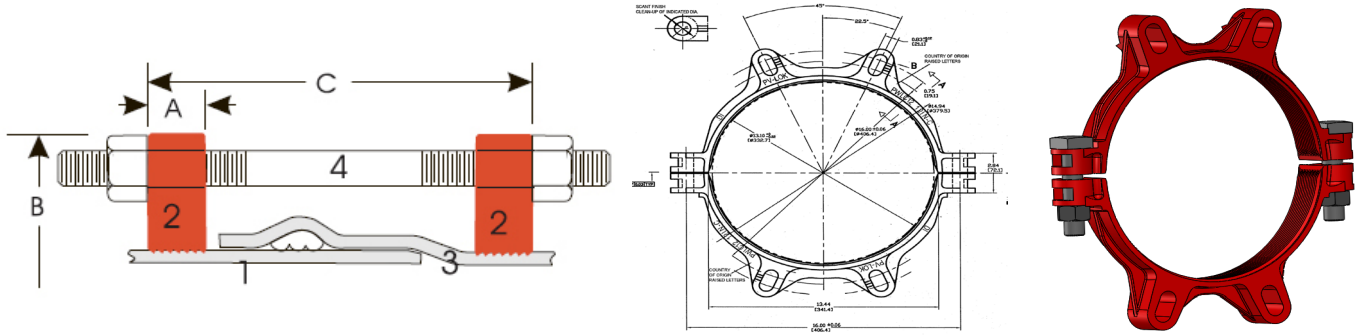
SUBMITTAL DETAILS		DATE:
PROJECT NAME:		
ENGINEER:		
CONTRACTOR:		
SPEC. SECTION:		

**PRODUCT SPECIFICATIONS**

<b>MATERIAL:</b>	Machine- serrated clamping ring is manufactured of high strength ductile iron in accordance with ASTM A536, Grade 65-45-12. Side clamping bolts and hex nuts are manufactured of high strength steel in accordance with ASTM A449 and Zinc plated to B663, Type III Sec.1 for corrosion resistance.
<b>SIZE RANGE:</b>	4" through 48"
<b>DIMENSION:</b>	Conform to ANSI/AWWA C900 standard
<b>PRESSURE RATING:</b>	Equal to the water working pressure rating of the pipe on which it is installed.
<b>FACTOR OF SAFETY:</b>	2:1
<b>COATING:</b>	<input type="checkbox"/> Standard: Red Alkyd paint <input type="checkbox"/> Special: Electro-deposition "CORRSAFE™" available For further information, please refer to our CORRSAFE Product Information sheet at <a href="https://www.sigmaco.com/download/corrsafe-alternative-coating-for-enhanced-exterior-corrosion-protection-on-wedge-and-serration-type-restrainers/">https://www.sigmaco.com/download/corrsafe-alternative-coating-for-enhanced-exterior-corrosion-protection-on-wedge-and-serration-type-restrainers/</a>
<b>APPROVALS:</b>	Factory Mutual approved in sizes 4"-10".
<b>DEFLECTION:</b>	Maintains the allowable nominal deflection within the PVC pipe manufacturer recommendation for AWWA C900 PVC pipe bell.
<b>TRACEABILITY:</b>	Machine-serrated clamping rings are individually cast with exact heat code information.
<b>INSTALLATION:</b>	In accordance with manufacturer's recommendation and applicable AWWA standards.
<b>HARDWARE:</b>	<input type="checkbox"/> Standard: Threaded Rod & Nuts as per AWWA C111/A21.11, High Strength Low Alloy Steel Special: <input type="checkbox"/> Stainless Steel as per AISI 304 <input type="checkbox"/> Stainless Steel as per AISI 316 <input type="checkbox"/> Fluoropolymer blue coated as per ANSI/AWWA C111/A21.11



**Technical Information**



**PV-LOK™ Model PWP for PVC Pipe Specifications**

Please check sizes:

- 
- 
- 
- 
- 
- 
- 
- 
- 
- 
- 
- 
- 
- 
- 

Nom Pipe Size	Wgt	PVC Pipe w/DI Pipe OD	Dimensions			BCD		Restraining Rods		Nuts for Restraining Rods		Clamping Bolts		
			A	B	C (Max)	Max	Min	B	J	No	Size	No	Size	Min Torque
4	14.36	4.8	1.2	9	13	7.5"	7.12"	2	3/4x15	4	3/4	4	5/8x3 3/8	85
6	16.44	6.9	1.2	11.52	13	10.02"	9.26"	2	3/4x18	4	3/4	4	5/8x3 3/8	85
8	27	9.05	1.75	12.81	13	12.5"	11.5"	2	3/4x18	4	3/4	4	3/4x3 7/8	100
10	44.4	11.1	1.75	16.88	16	15.26"	13.76"	4	3/4x24	8	3/4	4	7/8x4 3/8	125
12	50.64	13.2	1.75	19.12	22	17.5"	16.00"	4	3/4x24	8	3/4	4	7/8x4 3/8	125
14	101.61	15.3	3.5	21.1	22	19.6"	17.6"	6	3/4x30	12	3/4	8	7/8x6 1/4	130
16	114.15	17.4	3.5	23.58	22	22.0"	20.0"	6	3/4x30	12	3/4	8	7/8x6 1/4	130
18	164.97	19.5	4.25	25.8	22	24.04"	22.2"	8	3/4x30	16	3/4	8	1.00x6 1/4	130
20	234.5	21.6	5	29.06	22	26.74"	24.70"	8	3/4x36	16	3/4	8	1-1/4x6-1/2	130
24	288.5	25.8	5	34.64	22	32.36"	29.72"	10	3/4x36	20	3/4	8	1-1/4x6-1/2	130
30	463.75	32	5.5	41.8	38	39.76"	36.76"	10	1x40	20	1	8	1-1/4x8-1/2	130
36	520.4	38.3	5.5	49.04	38	46.88"	43.52"	12	1x40	24	1	8	1-1/4x8-1/2	130
42	983.76	44.5	6.26	57.18	46	54.62"	50.62"	16	1 1/4x48	32	1 1/4	8	1 1/2x9	175
48	1058.5	50.8	6.26	63.48	46	60.92"	56.92"	16	1 1/4x48	32	1 1/4	24	1 1/2x9	175