

CF Chicago Fittings

Natural Gas

Products



www.chicagofittings.com

Product Index

Features and Benefits	2
Meter Set Risers	4
Service Head Adapters	
85 Series	5
87 Series	6
89 Series	7
91 Series	7
Adapters	
Plastic Service Products	
597 Series	8
557 Series	9
575 Series	9
755 Series	10
697 Series	10
Couplings	
Steel Service To Plastic Service	
750 Series	11
Steel Service to Steel Service	
750SS Series	12
Plastic Service to Plastic Service	
750PP Series	12
Copper Service Products	
569 Series	13
669 Series	13
769 Series	14
789 Series	14
Bronze Couplings	
Plastic Service to Plastic Service	
785 Series	15
Copper Service to Plastic Service	
785 Series	15
Copper Service to Copper Service	
785 Series	15
Miscellaneous Products	
Meter Adapters	
LT Series	16
LT Washer Series	16
Tube Stiffeners	
X2313 Series	17
Acetyl Copolymer Pipe Plug	
ACPP Series	17
Steel Abandonment Caps	
AC Series	17

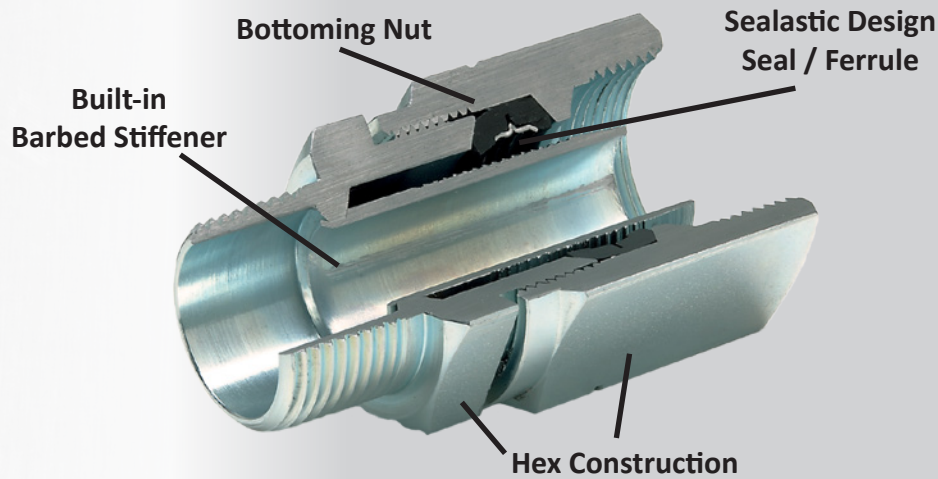
The fittings offered in this catalog include the patented Sealastic™ sealing system. A quick, reliable, mechanical joint for a variety of transitions from main to meter.



The information presented herein and other information from Chicago Fittings and its authorized distributors including but not limited to the description of the goods is for the sole purpose of identifying the goods for further investigation by the users having technical expertise and shall not be deemed to create an express warranty that the goods shall conform to any such description and any information provided shall not be deemed to be part of the basis of bargain of sale of such merchandise. Because every application of the goods is unique, Chicago Fittings makes no and DISCLAIMS ANY WARRANTY THAT THE GOODS ARE MERCHANTABILITY OR SUITABLE FOR ANY PARTICULAR PURPOSE REQUIRED BY THE BUYER. It is important that you analyze all aspects of your application and review the information concerning the products or system in the current product literature. Due to the variety of operating conditions and applications for these goods or systems, the user, through its own analysis and testing, is solely responsible for selecting the goods and assuring that all performance, safety and warning requirements of the application are met.

Rugged Construction

Ensures Lasting Field Performance



Features

- Sealastic Design
- Bottoming Nut (Positive Stop)
- Bi-Directional Seal/Ferrule Assembly
- Solid Bar Stock Construction
- Ease of Assembly
- Tube Preparation

Benefits

- Rugged Leak Resistant Design utilizing a molded rubber seal/ferrule assembly and integral stiffener
- Self-Seating Design eliminates the need for torque measurement
- One Piece Design eliminates worries of "Order & Orientation" of multiple internal components
- CNC Machined from solid bar stock eliminates concerns associated with malleable castings
- Hex Construction Allows for use of flat jawed wrenches and greatly reduces damage to finishes compared to that of bite-style wrenches
- A Clean, Burr-Free Cut is all that's required (No Chamfering Tools or Fusion Equipment)



Note: Sealastic products are manufactured under U.S. and foreign patents.
Note: Fittings may be reused only if new seal and ferrule is inserted.



Note: When pipe movement out of the coupling might occur as a result of forces other than that caused by internal line pressure of 125 psi maximum, proper anchorage of the pipe must be provided.

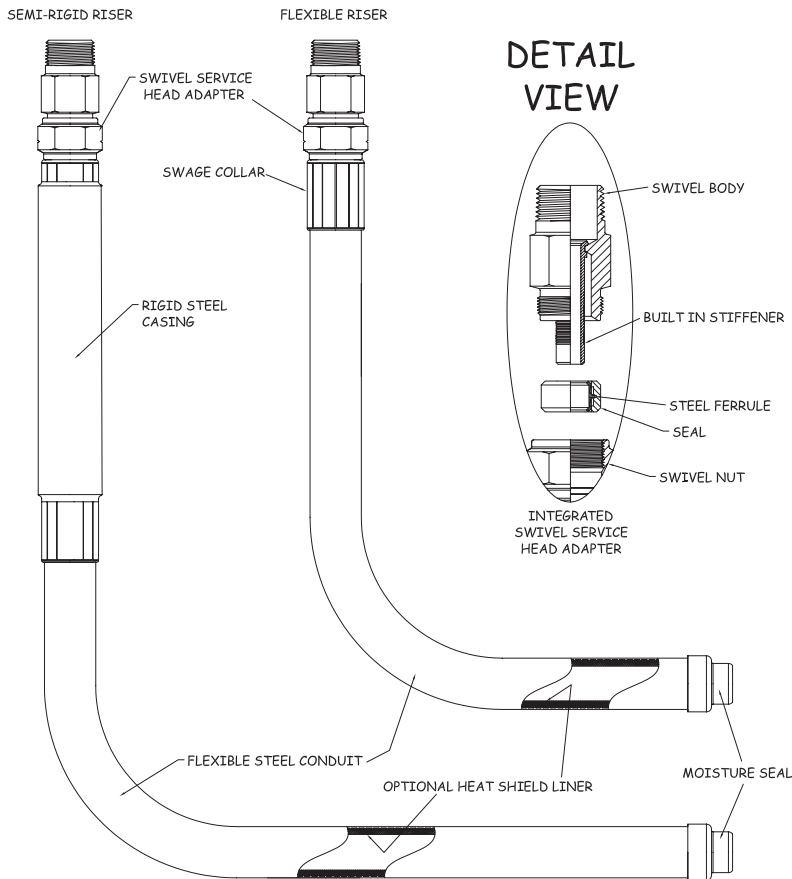
A Series of Flexible and Semi-Rigid Gas Risers for the Natural Gas Market

X-Riser[®]



Technical Information

Features & Benefits



- ELIMINATE Below Grade Joints at the Building
- Bottoming Nut (Positive Stop) eliminates the need for Torque Measurement
- One Piece Bi-Directional Seal/Ferrule Assembly Design eliminates worries of "Order & Orientation" of multiple internal components
- Swage Collar Design eliminates the need for a "Weep Hole" which exposes the PE to both UV Rays and outdoor elements
- Eliminates the need for Chamfering Tools and Fusion Equipment

RXR-10B-12-24-36-L-ZDC

RISER CODE	Defines type of construction of product.
PE SIZE CODE	Defines the size of the Gas Service being used.
PE WALL CODE	Defines the wall thickness of PE Gas Service being used.
MPT CODE	Defines the type of male thread being used to attach the riser to the meter set or regulator.
RIGID CODE	Optional code only used in conjunction with riser code if "RXR" is used. This code defines the length of rigid casing to be used.
FLEX CODE	Defines the length of flexible conduit to be used.
LINER CODE	Optional code, only to be used if liner is required.
FINISH CODE	Defines the finish of service head adapter, collar, and rigid portion of the riser.

RISER CODE
RXR = Semi-Rigid/Partia Flexible XR = Flexible

PE SIZE CODE
10 = 1/2" CTS 21 = 1" IPS 13 = 1/2" IPS 22 = 1 1/4" CTS 14 = 3/4" CTS 27 = 1 1/4" IPS 17 = 3/4" IPS 31 = 1 1/2" IPS 18 = 1" CTS 38 = 2" IPS

PE WALL CODE
A = .062 Wall G = .151 Wall B = .090 Wall H = .166 Wall C = .095 Wall J = .119 Wall E = .100 Wall K = .173 Wall F = .121 Wall M = .216 Wall

MPT CODE
8 = 1/2" MPT 20 = 1 1/4" MPT 12 = 3/4" MPT 24 = 1 1/2" MPT 16 = 1" MPT 32 = 2" MPT

RIGID CODE
12 = 12" of Rigid Casing 18 = 18" of Rigid Casing 24 = 24" of Rigid Casing 36 = 36" of Rigid Casing

FLEX CODE
24 = 24" of Flexible Conduit 36 = 36" of Flexible Conduit 48 = 48" of Flexible Conduit 60 = 60" of Flexible Conduit 72 = 72" of Flexible Conduit 96 = 96" of Flexible Conduit

LINER CODE
L = Liner OPTIONAL

FINISH CODE
ZDC = Yellow Zinc Dichromate EG = E-Coat Grey

Service Head Adapters

85 Series



Outdoor Meter Set Adapters with Integral Stiffener

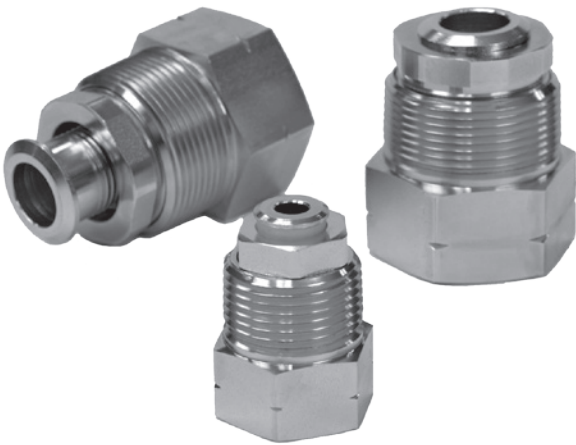
Part #	Tube Size	Wall	MPT	FPT
85C49-090	3/4" CTS	.090"	1 1/4"	1"
85C50-080	3/4" CTS	.080"	1 1/4"	1 1/4"
85C50-090	3/4" CTS	.090"	1 1/4"	1 1/4"
85C54-080	3/4" CTS	.080"	1 1/2"	1 1/2"
85C54-090	3/4" CTS	.090"	1 1/2"	1 1/2"
85C63-095	3/4" IPS	.095"	3/4"	1 1/4"
85C67-095	3/4" IPS	.095"	1"	1 1/4"
85C70-095	3/4" IPS	.095"	1 1/4"	1 1/4"
85C83-090	1" CTS	.090"	3/4"	1 1/4"
85C83-100	1" CTS	.100"	3/4"	1 1/4"
85C87-090	1" CTS	.090"	1"	1 1/4"
85C87-100	1" CTS	.100"	1"	1 1/4"
85C88-090	1" CTS	.090"	1"	1 1/2"
85C88-100	1" CTS	.100"	1"	1 1/2"
85C90-090	1" CTS	.090"	1 1/4"	1 1/4"
85C90-100	1" CTS	.100"	1 1/4"	1 1/4"
85C91-090	1" CTS	.090"	1 1/4"	1 1/2"
85C91-100	1" CTS	.100"	1 1/4"	1 1/2"
85C94-090	1" CTS	.090"	1 1/2"	1 1/4"
85C94-100	1" CTS	.100"	1 1/2"	1 1/4"
85C95-090	1" CTS	.090"	1 1/2"	1 1/2"
85C95-100	1" CTS	.100"	1 1/2"	1 1/2"
X2615	1" IPS	.119"	1"	1 1/2"
85C113-090	1 1/4" CTS	.090"	1 1/4"	1 1/2"
85C113-121	1 1/4" CTS	.121"	1 1/4"	1 1/2"
85C114-090	1 1/4" CTS	.090"	1 1/4"	2"
85C114-121	1 1/4" CTS	.121"	1 1/4"	2"
85C115-090	1 1/4" CTS	.090"	1 1/2"	1 1/2"
85C115-121	1 1/4" CTS	.121"	1 1/2"	1 1/2"
85C116-090	1 1/4" CTS	.090"	1 1/2"	2"
85C116-121	1 1/4" CTS	.121"	1 1/2"	2"
85C117-090	1 1/4" CTS	.090"	2"	2"
85C117-121	1 1/4" CTS	.121"	2"	2"
85C132-151	1 1/4" IPS	.151"	1 1/4"	2"
85C132-166	1 1/4" IPS	.166"	1 1/4"	2"
85C135-151	1 1/4" IPS	.151"	1 1/2"	2"
85C135-166	1 1/4" IPS	.166"	1 1/2"	2"
85C139-151	1 1/4" IPS	.151"	2"	2"
85C139-166	1 1/4" IPS	.166"	2"	2"
85C180-216	2" IPS	.216"	2"	3"

Outdoor Meter Set Adapters with Integral Stiffener

Part #	Tube Size	Wall	MPT	FPT
85C1-062	1/2" CTS	.062"	3/4"	3/4"
85C1-090	1/2" CTS	.090"	3/4"	3/4"
85C2-062	1/2" CTS	.062"	3/4"	1"
85C2-090	1/2" CTS	.090"	3/4"	1"
85C3-062	1/2" CTS	.062"	3/4"	1 1/4"
85C3-090	1/2" CTS	.090"	3/4"	1 1/4"
85C4-062	1/2" CTS	.062"	3/4"	1 1/2"
85C4-090	1/2" CTS	.090"	3/4"	1 1/2"
85C5-062	1/2" CTS	.062"	1"	3/4"
85C5-090	1/2" CTS	.090"	1"	3/4"
85C6-062	1/2" CTS	.062"	1"	1"
85C6-090	1/2" CTS	.090"	1"	1"
85C22-090	1/2" IPS	.090"	3/4"	1"
85C23-090	1/2" IPS	.090"	3/4"	1 1/4"
85C24-090	1/2" IPS	.090"	3/4"	1 1/2"
85C26-090	1/2" IPS	.090"	1"	1"
85C27-090	1/2" IPS	.090"	1"	1 1/4"
85C28-090	1/2" IPS	.090"	1"	1 1/2"
85C44-080	3/4" CTS	.080"	3/4"	1"
85C44-090	3/4" CTS	.090"	3/4"	1"
85C45-080	3/4" CTS	.080"	3/4"	1 1/4"
85C45-090	3/4" CTS	.090"	3/4"	1 1/4"
85C46-080	3/4" CTS	.080"	1"	1"
85C46-090	3/4" CTS	.090"	1"	1"
85C47-080	3/4" CTS	.080"	1"	1 1/4"
85C47-090	3/4" CTS	.090"	1"	1 1/4"
85C49-080	3/4" CTS	.080"	1 1/4"	1"

Service Head Adapters

87 Series



Captive, Basement Adapters with Loose Stiffener Indoor

Part #	Tube Size	Wall	MPT (Outlet)	FPT (Inlet)
87C21-17-10L090	1/2" CTS	.090"	1"	3/4"
87C21-21-10L090	1/2" CTS	.090"	1"	1"
87C21-27-10L090	1/2" CTS	.090"	1"	1 1/4"
87C27-17-10L090	1/2" CTS	.090"	1 1/4"	3/4"
87C27-21-10L090	1/2" CTS	.090"	1 1/4"	1"
87C27-27-10L090	1/2" CTS	.090"	1 1/4"	1 1/4"
87C31-17-10L090	1/2" CTS	.090"	1 1/2"	3/4"
87C31-21-10L090	1/2" CTS	.090"	1 1/2"	1"
87C31-27-10L090	1/2" CTS	.090"	1 1/2"	1 1/4"
87C31-27-18L090	1" CTS	.090"	1 1/2"	1 1/4"
87C31-27-18L100	1" CTS	.100"	1 1/2"	1 1/4"
87C31-27-18L121	1" CTS	.121"	1 1/2"	1 1/4"
87C31-31-18L090	1" CTS	.090"	1 1/2"	1 1/2"
87C31-31-18L100	1" CTS	.100"	1 1/2"	1 1/2"
87C31-31-18L121	1" CTS	.121"	1 1/2"	1 1/2"
87C31-38-18L090	1" CTS	.090"	1 1/2"	2"
87C31-38-18L100	1" CTS	.100"	1 1/2"	2"
87C31-38-18L121	1" CTS	.121"	1 1/2"	2"
87C38-27-18L090	1" CTS	.090"	2"	1 1/4"
87C38-27-18L100	1" CTS	.100"	2"	1 1/4"
87C38-27-18L121	1" CTS	.121"	2"	1 1/4"
87C38-31-18L090	1" CTS	.090"	2"	1 1/2"
87C38-31-18L100	1" CTS	.100"	2"	1 1/2"
87C38-31-18L121	1" CTS	.121"	2"	1 1/2"
87C38-38-18L090	1" CTS	.090"	2"	2"
87C38-38-18L100	1" CTS	.100"	2"	2"
87C38-38-18L121	1" CTS	.121"	2"	2"
87C38-31-22L090	1 1/4" CTS	.090"	2"	1 1/2"
87C38-31-22L121	1 1/4" CTS	.121"	2"	1 1/2"
87C38-38-22L090	1 1/4" CTS	.090"	2"	2"
87C38-38-22L121	1 1/4" CTS	.121"	2"	2"
87C46-38-27L151	1 1/4" IPS	.151"	2 1/2"	2"
87C46-38-27L166	1 1/4" IPS	.166"	2 1/2"	2"

Service Head Adapters

89 Series



Extended Length Thread End with Integral Stiffener

Part #	Tube Size	Wall	IPS	FPT
89C1-062	1/2" CTS	.062"	3/4"	3/4"
89C1-090	1/2" CTS	.090"	3/4"	3/4"
89C44-080	3/4" CTS	.080"	3/4"	1"
89C44-090	3/4" CTS	.090"	3/4"	1"
89C90-090	1" CTS	.090"	1 1/4"	1 1/4"
89C90-100	1" CTS	.100"	1 1/4"	1 1/4"
89C113-090	1 1/4" CTS	.090"	1 1/4"	1 1/2"
89C113-121	1 1/4" CTS	.121"	1 1/4"	1 1/2"
89C115-090	1 1/4" CTS	.090"	1 1/2"	1 1/2"
89C115-121	1 1/4" CTS	.121"	1 1/2"	1 1/2"

91 Series



Extended Length Plain End with Integral Stiffener

Part #	Tube Size	Wall	IPS
91C1-062	1/2" CTS	.062"	3/4"
91C1-090	1/2" CTS	.090"	3/4"
91C44-080	3/4" CTS	.080"	3/4"
91C44-090	3/4" CTS	.090"	3/4"
91C90-090	1" CTS	.090"	1 1/4"
91C90-100	1" CTS	.100"	1 1/4"
91C113-090	1 1/4" CTS	.090"	1 1/4"
91C113-121	1 1/4" CTS	.121"	1 1/4"
91C115-090	1 1/4" CTS	.090"	1 1/2"
91C115-121	1 1/4" CTS	.121"	1 1/2"

597 Series



Male Adapters with Integral Stiffener

Part #	Tube Size	Wall	MPT
M597C1S062	1/2" CTS	0.062"	1/2"
M597C1S090	1/2" CTS	0.090"	1/2"
M597C2S062	1/2" CTS	0.062"	3/4"
M597C2S090	1/2" CTS	0.090"	3/4"
M597C3S062	1/2" CTS	0.062"	1"
M597C3S090	1/2" CTS	0.090"	1"
M597C11S090	1/2" IPS	0.090"	1/2"
M597C12S090	1/2" IPS	0.090"	3/4"
M597C13S090	1/2" IPS	0.090"	1"
M597C22S090	3/4" CTS	0.090"	3/4"
M597C23S090	3/4" CTS	0.090"	1"
M597C32S095	3/4" IPS	0.095"	3/4"
M597C33S095	3/4" IPS	0.095"	1"
M597C42S090	1" CTS	0.090"	3/4"
M597C42S100	1" CTS	0.100"	3/4"
M597C43S090	1" CTS	0.090"	1"
M597C43S100	1" CTS	0.100"	1"
M597C44S090	1" CTS	0.090"	1 1/4"
M597C44S100	1" CTS	0.100"	1 1/4"
M597C45S090	1" CTS	0.090"	1 1/2"
M597C45S100	1" CTS	0.100"	1 1/2"
M597C52S119	1" IPS	0.119"	3/4"
M597C53S119	1" IPS	0.119"	1"
M597C54S119	1" IPS	0.119"	1 1/4"
M597C55S119	1" IPS	0.119"	1 1/2"
M597C64S090	1 1/4" CTS	0.090"	1 1/4"
M597C64S121	1 1/4" CTS	0.121"	1 1/4"
M597C65S090	1 1/4" CTS	0.090"	1 1/2"
M597C65S121	1 1/4" CTS	0.121"	1 1/2"
M597C66S090	1 1/4" CTS	0.090"	2"
M597C66S121	1 1/4" CTS	0.121"	2"
M597C73S151	1 1/4" IPS	0.151"	1"
M597C73S166	1 1/4" IPS	0.166"	1"
M597C74S151	1 1/4" IPS	0.151"	1 1/4"
M597C74S166	1 1/4" IPS	0.166"	1 1/4"
M597C75S151	1 1/4" IPS	0.151"	1 1/2"
M597C75S166	1 1/4" IPS	0.166"	1 1/2"
M597C81S173	1 1/2" IPS	0.173"	1 1/4"
M597C82S173	1 1/2" IPS	0.173"	1 1/2"
M597C83S173	1 1/2" IPS	0.173"	2"
M597C95S216	2" IPS	0.216"	1 1/2"
M597C96S216	2" IPS	0.216"	2"

Plastic Service Products **Adapters**

557 Series



575 Series



Extended Thread End Adapter with Integral Stiffener

Part #	Tube Size	Wall	IPS Size (Thread End)
M557C2S062	1/2" CTS	0.062"	3/4"
M557C2S090	1/2" CTS	0.090"	3/4"
M557C3S062	1/2" CTS	0.062"	1"
M557C3S090	1/2" CTS	0.090"	1"
M557C12S090	1/2" IPS	0.090"	3/4"
M557C23S090	3/4" CTS	0.090"	1"
M557C32S095	3/4" IPS	0.095"	3/4"
M557C33S095	3/4" IPS	0.095"	1"
M557C43S090	1" CTS	0.090"	1"
M557C43S100	1" CTS	0.100"	1"
M557C44S090	1" CTS	0.090"	1 1/4"
M557C44S100	1" CTS	0.100"	1 1/4"
M557C45S090	1" CTS	0.090"	1 1/2"
M557C45S100	1" CTS	0.100"	1 1/2"
M557C64S090	1 1/4" CTS	0.090"	1 1/4"
M557C64S121	1 1/4" CTS	0.121"	1 1/4"
M557C65S090	1 1/4" CTS	0.090"	1 1/2"
M557C65S121	1 1/4" CTS	0.121"	1 1/2"
M557C66S090	1 1/4" CTS	0.090"	2"
M557C66S121	1 1/4" CTS	0.121"	2"

Extended Plain End Adapter with Integral Stiffener

Part #	Tube Size	Wall	IPS Size (Plain End)
M575C2S062	1/2" CTS	0.062"	3/4"
M575C2S090	1/2" CTS	0.090"	3/4"
M575C3S062	1/2" CTS	0.062"	1"
M575C3S090	1/2" CTS	0.090"	1"
M575C12S090	1/2" IPS	0.090"	3/4"
M575C23S090	3/4" CTS	0.090"	1"
M575C32S095	3/4" IPS	0.095"	3/4"
M575C33S095	3/4" IPS	0.095"	1"
M575C42S090	1" CTS	0.090"	3/4"
M575C42S100	1" CTS	0.100"	3/4"
M575C43S090	1" CTS	0.090"	1"
M575C43S100	1" CTS	0.100"	1"
M575C44S090	1" CTS	0.090"	1 1/4"
M575C44S100	1" CTS	0.100"	1 1/4"
M575C45S090	1" CTS	0.090"	1 1/2"
M575C45S100	1" CTS	0.100"	1 1/2"
M575C64S090	1 1/4" CTS	0.090"	1 1/4"
M575C64S121	1 1/4" CTS	0.121"	1 1/4"
M575C65S090	1 1/4" CTS	0.090"	1 1/2"
M575C65S121	1 1/4" CTS	0.121"	1 1/2"
M575C66S090	1 1/4" CTS	0.090"	2"
M575C66S121	1 1/4" CTS	0.121"	2"

697 Series



Female Adapters with Integral Stiffener

Part #	Tube Size	Wall	FPT
M697C1S062	1/2" CTS	0.062"	1/2"
M697C1S090	1/2" CTS	0.090"	1/2"
M697C2S062	1/2" CTS	0.062"	3/4"
M697C2S090	1/2" CTS	0.090"	3/4"
M697C3S062	1/2" CTS	0.062"	1"
M697C3S090	1/2" CTS	0.090"	1"
M697D32S095	3/4" IPS	0.095"	3/4"
M697C42S095	1" CTS	0.090"	3/4"
M697C42S100	1" CTS	0.100"	3/4"
M697C43S090	1" CTS	0.090"	1"
M697C43S100	1" CTS	0.100"	1"
M697D74S151	1 1/4" IPS	0.151"	1 1/4"
M697D74S166	1 1/4" IPS	0.166"	1 1/4"
M697D74S151	1 1/4" IPS	0.151"	2"
M697D74S166	1 1/4" IPS	0.166"	2"

755 Series



Line Caps for Steel Abandonment

Part #	Tube Size/Pipe Size Side A
M755C10	1/2" CTS
M755D13	1/2" IPS
M755C14	3/4" CTS
M755D17	3/4" IPS
M755C18	1" CTS
M755D21	1" IPS
M755C22	1" CTS
M755D27	1 1/4" IPS
M755D31	1 1/2" IPS
M755D38	2" IPS

Couplings

750 Series



Steel Service to Plastic Service with Integral Stiffener, Side B

Part #	Steel Size Side A	Tube Size Side B	Wall
M750DC23S062	5/8" OD	1/2" CTS	0.062"
M750DC23S090	5/8" OD	1/2" CTS	0.090"
M750DC33S062	1/2" IPS	1/2" CTS	0.062"
M750DC33S090	1/2" IPS	1/2" CTS	0.090"
M750DC53S062	3/4" IPS	1/2" CTS	0.062"
M750DC53S090	3/4" IPS	1/2" CTS	0.090"
M750DC55S077	3/4" IPS	3/4" CTS	0.077"
M750DC55S090	3/4" IPS	3/4" CTS	0.090"
M750DC57S090	3/4" IPS	1" CTS	0.090"
M750DC57S100	3/4" IPS	1" CTS	0.100"
M750DC73S062	1" IPS	1/2" CTS	0.062"
M750DC73S090	1" IPS	1/2" CTS	0.090"
M750DC74S090	1" IPS	1/2" IPS	0.090"
M750DC75S077	1" IPS	3/4" CTS	0.077"
M750DC75S090	1" IPS	3/4" CTS	0.090"
M750DC76S095	1" IPS	3/4" IPS	0.095"
M750DC77S090	1" IPS	1" CTS	0.090"
M750DC77S100	1" IPS	1" CTS	0.100"
M750DC78S119	1" IPS	1" IPS	0.119"
M750DC93S062	1 1/4" IPS	1/2" CTS	0.062"
M750DC93S090	1 1/4" IPS	1/2" CTS	0.090"
M750DC94S090	1 1/4" IPS	1/2" IPS	0.090"
M750DC95S077	1 1/4" IPS	3/4" CTS	0.077"
M750DC95S090	1 1/4" IPS	3/4" CTS	0.090"

Steel Service to Plastic Service with Integral Stiffener, Side B

Part #	Steel Size Side A	Tube Size Side B	Wall
M750DC96S095	1 1/4" IPS	3/4" IPS	0.095"
M750DC97S090	1 1/4" IPS	1" CTS	0.090"
M750DC97S100	1 1/4" IPS	1" CTS	0.100"
M750DC98S090	1 1/4" IPS	1 1/4" CTS	0.090"
M750DC98S121	1 1/4" IPS	1 1/4" CTS	0.121"
M750DC99S151	1 1/4" IPS	1 1/4" IPS	0.151"
M750DC99S166	1 1/4" IPS	1 1/4" IPS	0.166"
M750DC106S095	1 1/2" IPS	3/4" IPS	0.095"
M750DC107S090	1 1/2" IPS	1" CTS	0.090"
M750DC107S100	1 1/2" IPS	1" CTS	0.100"
M750DC108S090	1 1/2" IPS	1 1/4" CTS	0.090"
M750DC108S121	1 1/2" IPS	1 1/4" CTS	0.121"
M750DC109S151	1 1/2" IPS	1 1/4" IPS	0.151"
M750DC109S166	1 1/2" IPS	1 1/4" IPS	0.166"
M750DC110S173	1 1/2" IPS	1 1/2" IPS	0.173"
M750DC116S095	2" IPS	3/4" IPS	0.095"
M750DC117S090	2" IPS	1" CTS	0.090"
M750DC117S100	2" IPS	1" CTS	0.100"
M750DC118S090	2" IPS	1 1/4" CTS	0.090"
M750DC118S121	2" IPS	1 1/4" CTS	0.121"
M750DC119S151	2" IPS	1 1/4" IPS	0.151"
M750DC119S166	2" IPS	1 1/4" IPS	0.166"
M750DC120S173	2" IPS	1 1/2" IPS	0.173"
M750DC121S216	2" IPS	2" IPS	0.216"

Couplings

750SS Series



750PP Series

Plastic Service to Plastic Service Integral Stiffener, Both Sides

Part #	Tube Size Side A	Wall	Tube Size Side B	Wall
M750C10	1/2" CTS	0.090"	1/2" CTS	0.090"
M750C13	1/2" IPS	0.090"	1/2" IPS	0.090"
M750C14	3/4" CTS	0.090"	3/4" CTS	0.090"
M750C17	3/4" IPS	0.095"	3/4" IPS	0.095"
M750C18	1" CTS	0.090"	1" CTS	0.090"
M750C18-100	1" CTS	0.100"	1" CTS	0.100"
M750C21	1" IPS	0.119"	1" IPS	0.119"
M750C22	1 1/4" CTS	0.090"	1 1/4" CTS	0.090"
M750C27	1 1/4" IPS	0.151"	1 1/4" IPS	0.151"
M750C27-166	1 1/4" IPS	0.166"	1 1/4" IPS	0.166"
M750C31	1 1/2" IPS	0.173"	1 1/2" IPS	0.173"
M750C38	2" IPS	0.216"	2" IPS	0.216"

Steel Service to Steel Service (Conductive)

Part #	Steel Tube/Pipe Side A	Steel Tube/Pipe Side B
M750D8-8	1/2" OD	1/2" OD
M750D10-8	5/8" OD	1/2" OD
M750D10-10	5/8" OD	5/8" OD
M750D13-10	1/2" IPS	5/8" OD
M750D13-13	1/2" IPS	1/2" IPS
M750D17-13	3/4" IPS	1/2" IPS
M750D17-17	3/4" IPS	3/4" IPS
M750D21-13	1" IPS	1/2" IPS
M750D21-17	1" IPS	3/4" IPS
M750D21-21	1" IPS	1" IPS
M750D27-13	1 1/4" IPS	1/2" IPS
M750D27-17	1 1/4" IPS	3/4" IPS
M750D27-21	1 1/4" IPS	1" IPS
M750D27-27	1 1/4" IPS	1 1/4" IPS
M750D31-13	1 1/2" IPS	1/2" IPS
M750D31-17	1 1/2" IPS	3/4" IPS
M750D31-21	1 1/2" IPS	1" IPS
M750D31-27	1 1/2" IPS	1 1/4" IPS
M750D31-31	1 1/2" IPS	1 1/2" IPS
M750D38-13	2" IPS	1/2" IPS
M750D38-17	2" IPS	3/4" IPS
M750D38-21	2" IPS	1" IPS
M750D38-27	2" IPS	1 1/4" IPS
M750D38-31	2" IPS	1 1/2" IPS
M750D38-38	2" IPS	2" IPS



Copper Service Products

569 Series



Male Adapters For Copper Service (Insulated)

Part #	Tube Size O.D.	MPT
M569C6-6	3/8"	3/8"
M569C6-8	3/8"	1/2"
M569C8-6	1/2"	3/8"
M569C8-8	1/2"	1/2"
M569C8-12	1/2"	3/4"
M569C10-8	5/8"	1/2"
M569C10-12	5/8"	3/4"
M569C10-16	5/8"	1"
M569C14-12	7/8"	3/4"
M569C14-16	7/8"	1"
M569C18-12	1 1/8"	3/4"
M569C18-16	1 1/8"	1"
M569C18-20	1 1/8"	1 1/4"
M569C22-16	1 3/8"	1"
M569C22-20	1 3/8"	1 1/4"

669 Series



Female Adapters For Copper Service (Insulated)

Part #	Tube Size O.D.	MPT
M669C6-4	3/8"	1/4"
M669C6-6	3/8"	3/8"
M669C6-8	3/8"	1/2"
M669C8-8	1/2"	1/2"
M669C10-8	5/8"	1/2"
M669C10-12	5/8"	3/4"
M669C14-12	7/8"	3/4"
M669C18-16	1 1/8"	1"
M669C18-20	1 1/8"	1 1/4"
M669C18-24	1 1/8"	1 1/2"

Couplings

769 Series



Copper Service to Copper Service (Insulated)

Part #	Steel Tube/Pipe Side A	Steel Tube/Pipe Side B
M769C6-6	3/8" OD	3/8" OD
M769C8-6	1/2" OD	3/8" OD
M769C8-8	1/2" OD	1/2" OD
M769C10-6	5/8" OD	3/8" OD
M769C10-8	5/8" OD	1/2" OD
M769C10-10	5/8" OD	5/8" OD
M769C14-10	7/8" OD	5/8" OD
M769C14-14	7/8" OD	7/8" OD
M769C18-10	1 1/8" OD	5/8" OD
M769C18-14	1 1/8" OD	7/8" OD
M769C18-18	1 1/8" OD	1 1/8" OD

789 Series



Copper Service (Insulated) Side A to Plastic Service with Integral Stiffener Side

Part #	Tube Size Side A	Tube Size Side B	Wall
M789C3S062	3/8" OD	5/8" OD	0.062"
M789C3S090	3/8" OD	5/8" OD	0.090"
M789C13S062	1/2" OD	5/8" OD	0.062"
M789C13S090	1/2" OD	5/8" OD	0.090"
M789C23S062	5/8" OD	5/8" OD	0.062"
M789C23S090	5/8" OD	5/8" OD	0.090"
M789C43S062	7/8" OD	5/8" OD	0.062"
M789C43S090	7/8" OD	5/8" OD	0.090"
M789C45S090	7/8" OD	7/8" OD	0.090"
M789C67S090	1 1/8" OD	1 1/8" OD	0.090"
M789C67S100	1 1/8" OD	1 1/8" OD	0.100"
M789C69S090	1 1/8" OD	1 3/8" OD	0.090"
M789C70S166	1 1/8" OD	1 1/4" IPS	0.166"
M789C89S090	1 3/8" OD	1 3/8" OD	0.090"
M789C90S166	1 3/8" OD	1 1/4" IPS	0.166"

Bronze Couplings

785 Series



Plastic Service to Plastic Service, Integral Stiffener, Both Sides

Part #	Tube Size Side A	Wall Side A	Tube Size Side B	Wall Side B
M785C21S9/6	5/8" OD	0.090"	3/8" OD	0.062"
M785C23S062	5/8" OD	0.062"	5/8" OD	0.062"
M785C23S090	5/8" OD	0.090"	5/8" OD	0.090"
M785C45S080	7/8" OD	0.080"	7/8" OD	0.080"
M785C45S090	7/8" OD	0.090"	7/8" OD	0.090"
M785C67S090	1 1/8" OD	0.090"	1 1/8" OD	0.090"
M785C67S100	1 1/8" OD	0.100"	1 1/8" OD	0.100"

Copper Service to Plastic Service, Integral Stiffener, Side B

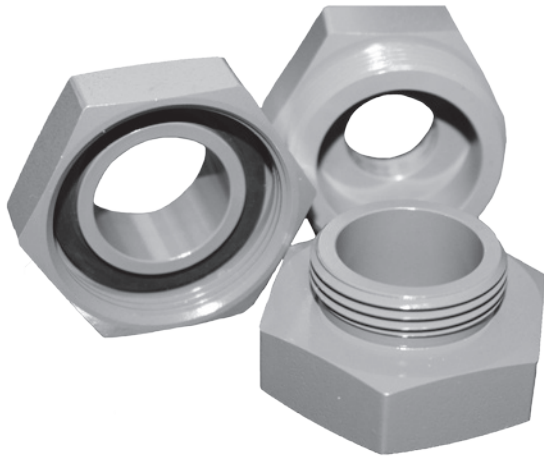
Part #	Tube Size (Copper) Side A	Tube Size (Plastic) Side B	Wall
M785DC3S062	3/8" OD	5/8" OD	0.062"
M785DC3S090	3/8" OD	5/8" OD	0.090"
M785DC13S062	1/2" OD	5/8" OD	0.062"
M785DC13S090	1/2" OD	5/8" OD	0.090"
M785DC21S062	5/8" OD	3/8" OD	0.062"
M785DC21S090	5/8" OD	3/8" OD	0.090"
M785DC23S062	5/8" OD	5/8" OD	0.062"
M785DC23S090	5/8" OD	5/8" OD	0.090"
M785DC45S090	7/8" OD	7/8" OD	0.090"
M785DC67S090	1 1/8" OD	1 1/8" OD	0.090"
M785DC67S100	1 1/8" OD	1 1/8" OD	0.100"

Copper Service to Copper Service, Type L Soft

Part #	Tube Size Side A	Tube Size Side B
M785D1	3/8" OD	3/8" OD
M785D12	1/2" OD	1/2" OD
M785D21	5/8" OD	3/8" OD
M785D22	5/8" OD	1/2" OD
M785D23	5/8" OD	5/8" OD
M785D45	7/8" OD	7/8" OD
M785D67	1 1/8" OD	1 1/8" OD

Miscellaneous Products

LT Series



Meter Adapters		
Part #	Male	Female
LT-1A-10-HEX	1A	10LT
LT-1A-20-HEX	1A	20LT
LT-1A-30-HEX	1A	30LT
LT-10-1A-HEX	10LT	1A
LT-10-20-HEX	10LT	20LT
LT-10-30-HEX	10LT	30LT
LT-20-1A-HEX	20LT	1A
LT-20-10-HEX	20LT	10LT
LT-20-30-HEX	20LT	30LT
LT-30-1A-HEX	30LT	1A
LT-30-10-HEX	30LT	10LT
LT-30-20-HEX	30LT	20LT

LT Washers



Buna-N Washers for Meter Adapters			
Part #	O.D. (In.)	I.D. (In.)	Thick (In.)
LTW-1/2-5LT	0.969	0.719	0.094
LTW-10LT	1.281	0.969	0.094
LTW-20LT	1.656	1.281	0.094
LTW-20LT-T	1.656	1.281	0.125
LTW-30LT	1.875	1.469	0.094
LTW-30LT-T	1.875	1.469	0.125
LTW-45LT	2.094	1.656	0.125

Miscellaneous Products

X2313 Series



Tube Stiffeners for Copper Service

For Extra Pull-Out Resistance	Part #	Tube Size O.D.
	X2313-0	3/8"
	X2313-1	1/2"
	X2313-2	5/8"
	X2313-3	7/8"
	X2313-4	1 1/8"
X2313-5	1 3/8"	

ACPP Series



Acetyl Copolymer Pipe Plug

Part #	Steel Size	Square Head
ACPP-13	1/2" IPS	0.563"
ACPP-17	3/4" IPS	0.625"
ACPP-21	1" IPS	0.812"
ACPP-27	1 1/4" IPS	0.937"
ACPP-31	1 1/2" IPS	1.100"
ACPP-38	2" IPS	1.312"

AC Series



Steel Abandonment Caps

Part #	Tube/Pipe Size
AC-10	1/2" CTS
AC-13	1/2" IPS
AC-14	3/4" CTS
AC-17	3/4" IPS
AC-18	1" CTS
AC-21	1" IPS
AC-22	1 1/4" CTS
AC-27	1 1/4" IPS
AC-31	1 1/2" IPS
AC-38	2" IPS

Typical Installation Procedures

85 Series Installation Procedures

Service Head Adapter with Integral Stiffener for Outdoor Meter Sets

(Working Pressure = 125psig)

1. Insert plastic service through existing old service line.

Extend plastic a minimum of 5" past end of existing service line.

2. Cut plastic tubing square and deburr O.D. and I.D.

Clean exposed tubing or pipe with a clean, dry, grease-free cloth making sure not to scratch the surface of the plastic tubing.

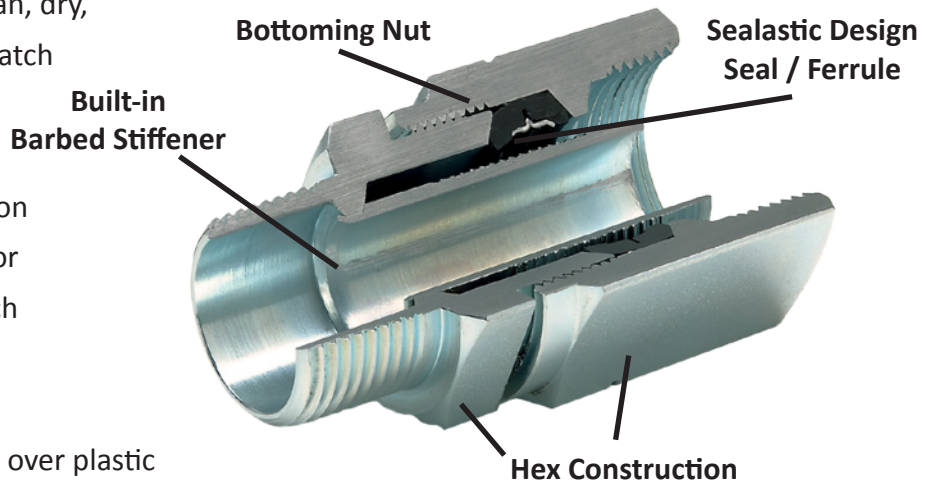
3. Mark tubing to stab depth as indicated on the stab depth chart with a felt tip pen or suitable marker. Make sure not to scratch surface of plastic tubing with marker.

4. Slip nut portion of service head adapter over plastic service and screw tight onto existing service line. Use a utility approved thread sealant.

5. Stab plastic into body until end of body is flush to within 1/8" of the mark.

6. Push body towards nut and engage threads. Tighten nut until nut and body of the fitting become iron bound, that is, "metal to metal" or "positive stop."

Note: Consult factory for installation procedures on other specific adapter or coupling series.



Certifications

SEALASTIC™ NATURAL GAS/PROPANE FITTINGS

SECTION 1 - Integral Stiffener Design

Chicago Fittings Corporation Certifies that all Sealastic™ Gas Fittings manufactured with integral stiffeners, when installed per Chicago Fittings installation instructions, will meet all applicable requirements defined under 49CFR Part 192, D.O.T. 192.281, 192.283(b), 192.375, ASTM D2513 Category 1, ASTM F1973, ASTM F1948-12 Category 1, NFPA 58, NFPA 54 (ANSI Z223.1) and IFGC Section 403. IAPMO/UPC/IPC Listed.

SECTION 2 - Loose Stiffener Design

Chicago Fittings Corporation Certifies that all Sealastic™ Gas Fittings manufactured with loose stiffeners, when installed per Chicago Fittings installation instructions, will meet all applicable requirements defined under 49CFR Part 192, D.O.T. 192.281, 192.283(b), 192.375, ASTM D2513 Category 1, ASTM F1973, ASTM F1948-12 Category 1, NFPA 58, NFPA 54 (ANSI Z223.1) and IFGC Section 403. IAPMO/UPC/IPC Listed. The loose stiffeners must be manufactured or approved by Chicago Fittings to adhere to these requirements. Should a stiffener not be manufactured or approved by Chicago Fittings, it will be the responsibility of the operating utility or end user to validate that they adhere to the above defined standards.

SECTION 3 – Material Definitions

3.1 Bodies	3.1.1	Tubing AISI C1013
	3.1.2	Bar AISI C12L14, C1213, C1215
	3.1.3	Bar CDA836 85-5-5-5 Bronze
	3.1.4	Bar CDA360 Free Machining Brass
3.2 Nuts	3.2.1	Tubing AISI C1013
	3.2.2	Bar AISI C12L14, C1213, C1215
	3.2.3	Bar CDA836 85-5-5-5 Bronze
	3.2.4	Bar CDA360 Free Machining Brass
3.3 Seals	3.3.1	Seals shall be manufactured from a Buna-N compound material that will resist deterioration from age or air under normal storage conditions. The seal will resist deterioration from impurities normally found in natural gas or LP gas including odorants, liquid hydrocarbons, carbon dioxide and water. The compound shall meet the following specifications: Color: Black/Red Durometer: 75 +/-5 Elongation: 150% Tensile Strength: 1,500 psi min.
3.4 Ferrules	3.4.1	Cold Rolled Strip C1050
3.5 Insulators	3.5.1	Zytel 105
3.6 Conduit	3.6.1	Core Material: Hot Dipped Galvanized Steel
	3.6.2	Jacket Wall: Liquid Tight, Sunlight Resistant
	3.6.3	Crush Resistance: 1,200psi min. in accordance with UL 360
3.7 Casing	3.6.1	Pipe/Tubing ASTM A53, ASTM A513
3.8 Moisture Seals	3.7.1	Hot Dipped Vinyl



Toll Free: 877.638.9009

Fax: 608.299.8901

