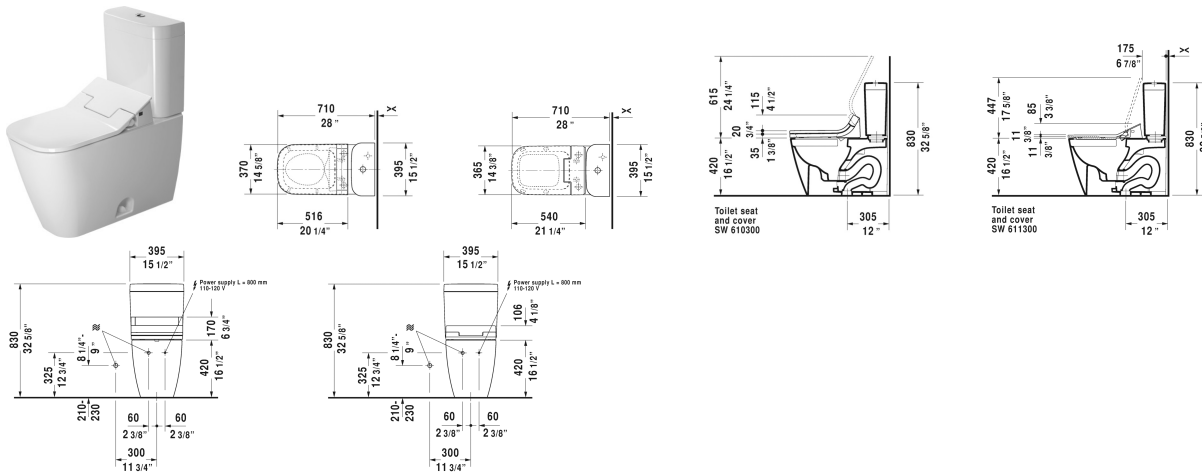



Happy D.2 Two-Piece toilet Duravit Rimless® # 217451..00

< 14 3/8" Inch >



Two-Piece toilet Duravit Rimless®	Dimension	Weight	Order number
(without tank), connecting elements for SensoWash with concealed connections included, US-version toilet, rimless, syphonic, vertical outlet, 12" rough-in, only in combination with SensoWash, 1.32/0.92 gpf			
Colors			
00 White 20 HygieneGlaze (an antibacterial ceramic glaze that provides almost indefinite effectiveness)			
Variant			
	14 3/8" x 28" Inch	102.1 lb	217451..00
Sanitary ceramics with the special WonderGliss surface finish will remain clean and attractive-looking for a long time to come. When ordering WonderGliss please add a "1" as eleventh digit to the model number.			
Mounting set for One-Piece and Two-Piece toilets, outlet 3/8" - male thread, wall connection 1/2" - female thread, 1/2", US-version		1.1 lb	001431
Suitable products			
with concealed connections, remote control included, power actuated lid and seat, rear-, front and oscillating wash, individual adjustment of water-, air- and seat surface temperature as well as nozzle position and jet strength, self-cleaning wand, 2 individually programmable user profiles, night light, Quick release: easy seat unit removal and attachment, on / off-button, CIAPMO®ELECTRICAL, 14 5/8" x 20 1/4" Inch	14 5/8" x 20 1/4" Inch		610300
Toilet seat and cover hinges stainless steel, elongated, removable, without slow close,			006461

Toilet seat and cover hinges stainless steel, elongated, with slow close,	006469
with concealed connections, remote control included, locking function via remote control, rear-, front and oscillating wash, Individual adjustment of water temperature as well as spray wand position and water spray intensity, self-cleaning wand, with slow close, night light, seat and lid easily removable with one hand, automatic drainage in periods of prolonged disuse, on / off-button, ciAPMO®ELECTRICAL, 14 3/8" x 21 1/4" Inch	611300

All drawings contain the necessary measurements which are subject to standard tolerances. They are stated in inch & mm and are non-binding. Exact measurements, in particular for customized installation scenarios, can only be taken from the finished ceramic piece.