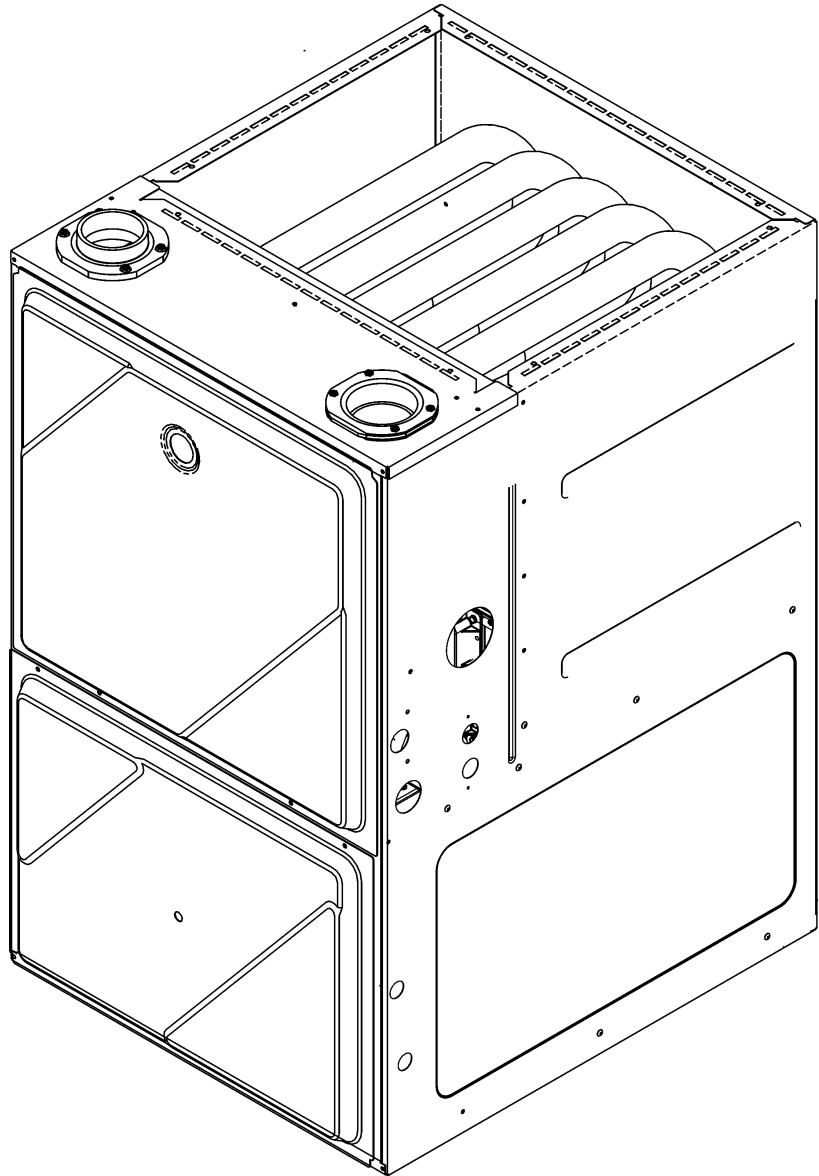


GMEC 96% Multi-Speed ECM Up Flow Furnace

GMEC960302BNAC
GMEC960303ANAA
GMEC960402BNAC
GMEC960403ANAA
GMEC960603ANAA
GMEC960603BNAC
GMEC960803BNAC
GMEC960804CNAB
GMEC960804CNAC
GMEC961004CNAC
GMEC961005CNAB
GMEC961005CNAC
GMEC961205DNAC



This manual is to be used by qualified technicians only.

This manual replaces RP-G2300A.

© 2016 - 2017 Goodman Manufacturing Company, L.P. ♦ 5151 San Felipe St., Suite 500 ♦ Houston, TX 77056

Important Information

Index

Functional Parts List	3
Illustration and Parts	4 - 11

Views shown are for parts illustrations only, not servicing procedures

Text Codes:

AR - As Required

NA - Not Available

NS - Not Shown

00000000 - See Note

QTY - Quantity Example (QTY 3) (If Quantity not shown, Quantity = 1)

M - Model Example (M1) (If M Code not shown, then part is used on all Models)

Expanded Model Nomenclature:

Example M1 - Model#1 M2 - Model#2 M3 - Model#3

Goodman Manufacturing Company, L.P. is not responsible for personal injury or property damage resulting from improper service. Review all service information before beginning repairs.

Warranty service must be performed by an authorized technician, using authorized factory parts. If service is required after the warranty expires, Goodman Manufacturing Company, L.P. also recommends contacting an authorized technician and using authorized factory parts.

Goodman Manufacturing Company, L.P. reserves the right to discontinue, or change at any time, specifications or designs without notice or without incurring obligations.

For assistance within the U.S.A. contact:
Homeowner Support
Goodman Manufacturing Company, L.P.
19001 Kermier Road
Waller, Texas 77484
877-254-4729-Telephone
713-863-2382-Facsimile

For assistance outside the U.S.A. contact:
International Division
Goodman Manufacturing Company, L.P.
19001 Kermier Road
Waller, Texas 77484
713-861-2500-Telephone
713-863-2382-Facsimile

Functional Parts

Part

No: Description:

Part No:	Description:	Part No:	Description:
20162904	*PRIMARY LIMIT-TEMPERATURE CONTROL (M1, M3, M6, M7, M8, M9) *Refer to service bulletin SF-054	0130F00485	SWITCH, PRESSURE (M1, M2, M3, M4)
0163F00017	BECKETT BURNER (QTY 2)	0130F00433	SWITCH, PRESSURE (M3, M4)
0271F00163	BLOWER SHELL & WHEEL ASSY (M13)	0130F00434	SWITCH, PRESSURE (M1, M2, M10)
0271F00161	BLOWER SHELL & WHEEL ASSY (M8, M9, M10, M11, M12)	0130F00436	SWITCH, PRESSURE (M7)
0271F00159	BLOWER SHELL & WHEEL ASSY (M6, M7)	0130F00445	SWITCH, PRESSURE (M13)
0130F00010	FLAME SENSOR	0130F00435	SWITCH, PRESSURE (M5, M6)
0151M00027	GAS VALVE	0130M00140	TRANSFORMER 120V TO 24V, 40VA
0257F00396	HEAT EXCHANGER ASSY (M11, M12)	0150M00043	WHEEL, BLOWER (10 X 8) (M1, M3)
0257F00393	HEAT EXCHANGER ASSY (M10)		
0257F00384	HEAT EXCHANGER ASSY (M3)		
0257F00379	HEAT EXCHANGER ASSY (M7)		
0257F00374	HEAT EXCHANGER ASSY (M6)		
0257F00333	HEAT EXCHANGER ASSY (M13)		
0257F00240	HEAT EXCHANGER ASSY (M8, M9)		
0257F00442	HEAT EXCHANGER ASSY (M4)		
0257F00445	HEAT EXCHANGER ASSY (M5)		
0257F00444	HEAT EXCHANGER ASSY. (M2)		
0257F00387	HEAT EXCHANGER ASSY. (M1)		
0171M00007	ID BLOWER, 2 Stg (M2, M4, M5)		
0130F00008	IGNITOR-SINI 17 SEC		
0130M00243	INTERLOCK SWITCH		
0130F00123	MANUAL RESET LIMIT (M7)		
10123517	MANUAL RESET LIMIT (M5)		
10123527	MANUAL RESET LIMIT (M13)		
10123534	MANUAL RESET LIMIT 220°F (M10, M11, M12)		
10123539	MANUAL RESET LIMIT-ORANGE (M3, M6, M8, M9)		
10123538	MANUAL RESET LIMIT-TAN (M2, M4)		
10123533	MANUAL RESET LIMIT-YELLOW (M1)		
0131F00052	MOTOR, BLOWER (M4)		
0131F00032	MOTOR, BLOWER (M1)		
0131F00034	MOTOR, BLOWER (M6)		
0131F00050	MOTOR, BLOWER (M2)		
0131F00035	MOTOR, BLOWER (M7)		
0131F00036	MOTOR, BLOWER (M10)		
0131F00033	MOTOR, BLOWER (M3)		
0131F00051	MOTOR, BLOWER (M5)		
0131F00037	MOTOR, BLOWER (M13)		
0131F00039	MOTOR,BLOWER (M8, M9)		
0131F00040	MOTOR,BLOWER (M11, M12)		
0171M00002	MOTOR-ID, BLOWER (M1, M3, M6, M7, M8, M9, M10, M11, M12, M13)		
PCBBF137	PCB IGNITION HSI INTEG (M8, M11)		
PCBBF139	PCB, IGNITION CONTROL (M1, M2, M3, M4, M5, M6, M7, M9, M10, M12, M13)		
0130F00429	PRESSURE SWITCH (M5, M6, M7, M8, M9, M10, M11, M12, M13)		
20162903	PRIMARY LIMIT - BLUE (M2, M4, M5, M11, M12)		
0130F00038	PRIMARY LIMIT - LT BLUE 120° (AUX) (QTY 2)		
0130F00036	PRIMARY LIMIT - PINK (M13)		
20162906	PRIMARY LIMIT - WHITE (M10)		
0130F00443	SWITCH, PRESSURE (M8, M9, M11, M12)		

SPECIAL PARTS

0161F00000P GOODMAN NAMEPLATE

Expanded Model Nomenclature

M1 - GMEC960302BNAC
M2 - GMEC960303ANAA
M3 - GMEC960402BNAC
M4 - GMEC960403ANAA
M5 - GMEC960603ANAA
M6 - GMEC960603BNAC
M7 - GMEC960803BNAC
M8 - GMEC960804CNAB
M9 - GMEC960804CNAC
M10 - GMEC961004CNAC
M11 - GMEC961005CNAB
M12 - GMEC961005CNAC
M13 - GMEC961205DNAC

Cabinet Assembly

IMAGE 1

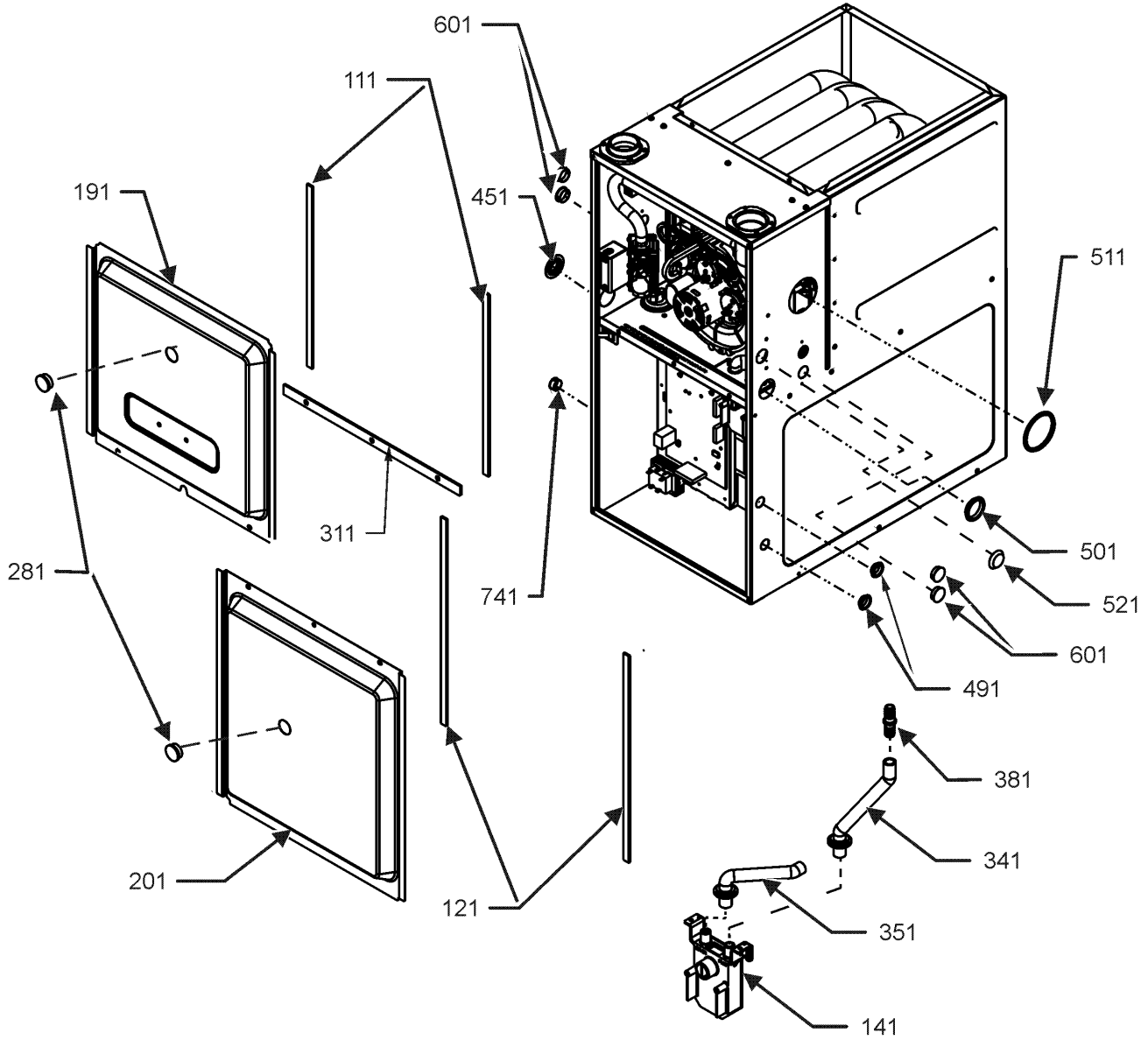
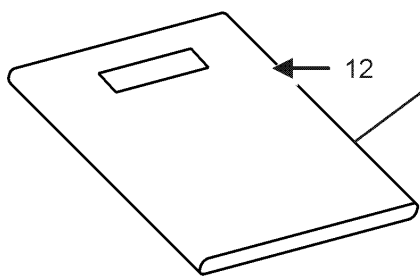
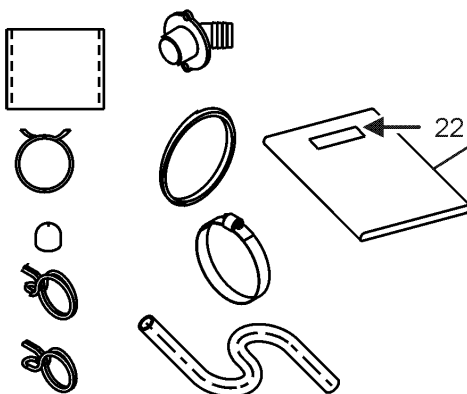


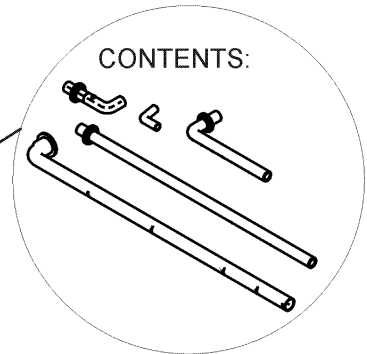
IMAGE 2



CONTENTS:



CONTENTS:



Cabinet Assembly

Ref. Part No: No:	Description:	Ref. Part No: No:	Description:
-------------------	--------------	-------------------	--------------

Image 1:

111	0154F00024	GASKET (QTY 2)
121	0154F00025	GASKET (QTY 2)
141	0161F00046	DRAIN TRAP
191	0121F00291DG	DOOR, ACCESS 17.5 PNT (M1, M3, M6, M7)
191	0121F00292DG	DOOR, ACCESS 21 PNT (M8, M9, M10, M11, M12)
191	0121F00293DG	DOOR, ACCESS 24.5 PNT (M13)
191	0121F00674DG	PNT, DOOR, ACCESS 14" (M2, M4, M5)
201	0121F00288DG	DOOR, BLOWER 17.5 PNT (M1, M3, M6, M7)
201	0121F00289DG	DOOR, BLOWER 21" PNT (M8, M9, M10, M11, M12)
201	0121F00290DG	DOOR, BLOWER 24.5 PNT (M13)
201	0121F00672DG	PNT, DOOR, BLOWER 14" (M2, M4, M5)
281	B1392139	VIEW PORT BUSHING-BLOWER DOOR (QTY 2)
311	0154F00020	GASKET, DECK (M1, M3, M6, M7)
311	0154F00021	GASKET, DECK (M8, M9, M10, M11, M12)
311	0154F00022	GASKET, DECK (M13)
311	0154F00063	GASKET, DECK (M2, M4, M5)
341	0164F00017	HOSE-ELBOW/TRAP
351	0164F00020	DRAIN HOSE (M2, M4, M5)
351	0164F00006	HOSE, COVER/TRAP (M1, M3, M6, M7, M8, M9, M10, M11, M12, M13)
381	0161F00047	COUPLING, HOSE BARBED
451	M0501301	PIPE GROMMET
491	M0570808	BUTTON PLUG (QTY 3)
501	M0570806	BUTTON PLUG
511	M0570807	BUTTON PLUG
521	0161M00027	PLUG, HOLE
601	B1392021	PLASTIC PLUG, 1" (2713-BLK) (QTY 4)
741	B1392104	UNIVERSAL BUSHING UB 875
NS	M0310345	BUTTON PLUG (QTY 2)
NS	0161F00000P	GOODMAN NAMEPLATE
NS	M0209730	SCREW-DECORATIVE (QTY 3)

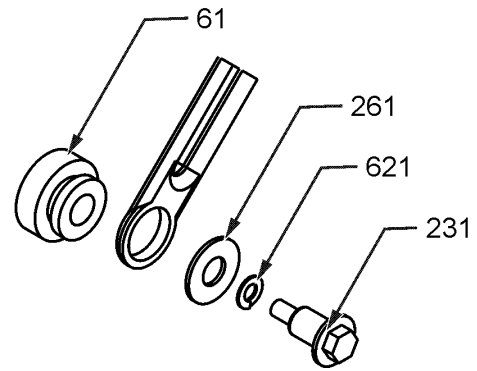
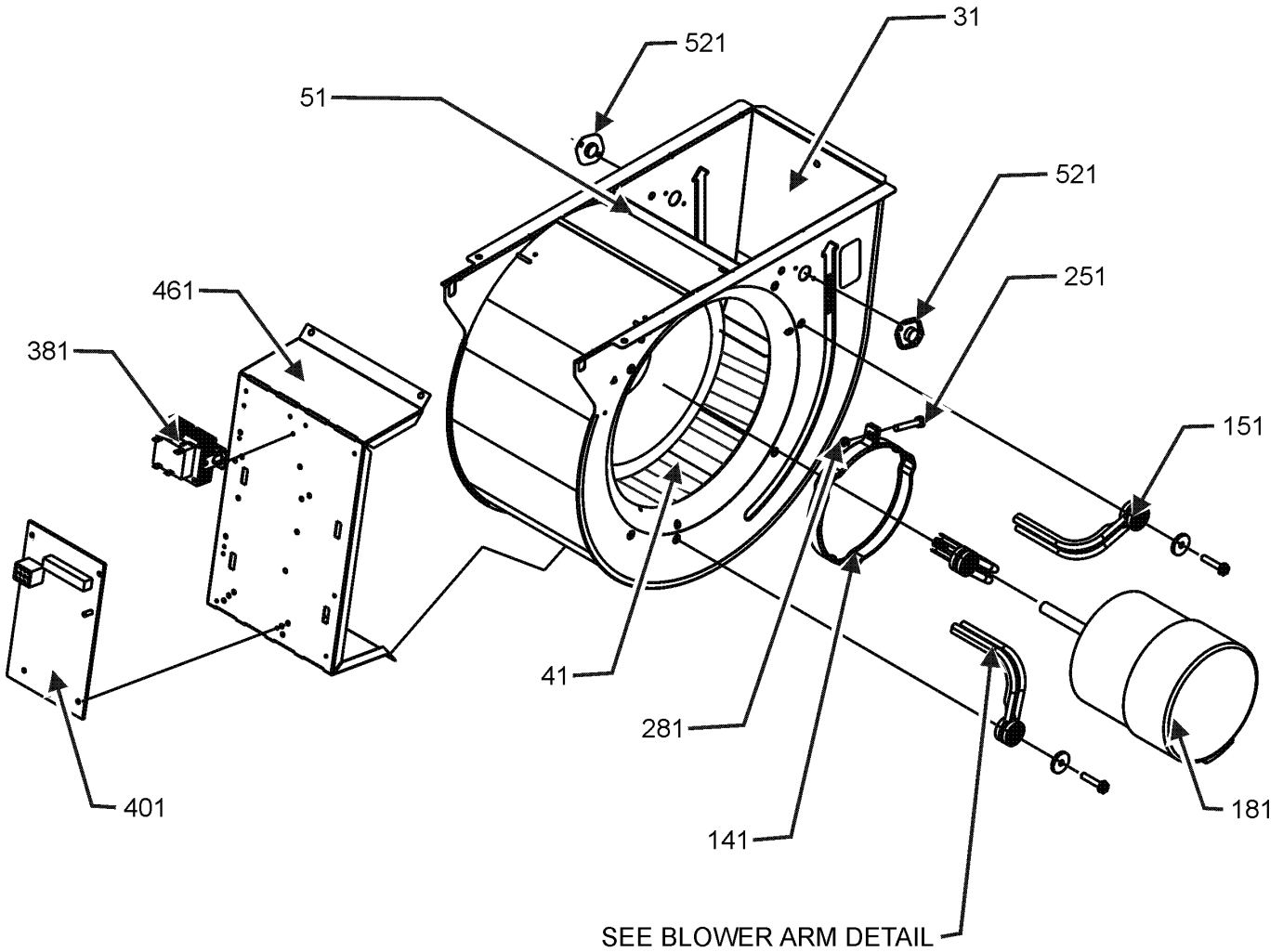
Image 2:

12	0270F03140	DRAIN PART BAG ASSY UF
22	0270F03667	BAG ASSY UF

Expanded Model Nomenclature

- | |
|----------------------|
| M1 - GMEC960302BNAC |
| M2 - GMEC960303ANAA |
| M3 - GMEC960402BNAC |
| M4 - GMEC960403ANAA |
| M5 - GMEC960603ANAA |
| M6 - GMEC960603BNAC |
| M7 - GMEC960803BNAC |
| M8 - GMEC960804CNAB |
| M9 - GMEC960804CNAC |
| M10 - GMEC961004CNAC |
| M11 - GMEC961005CNAB |
| M12 - GMEC961005CNAC |
| M13 - GMEC961205DNAC |

Blower Assembly



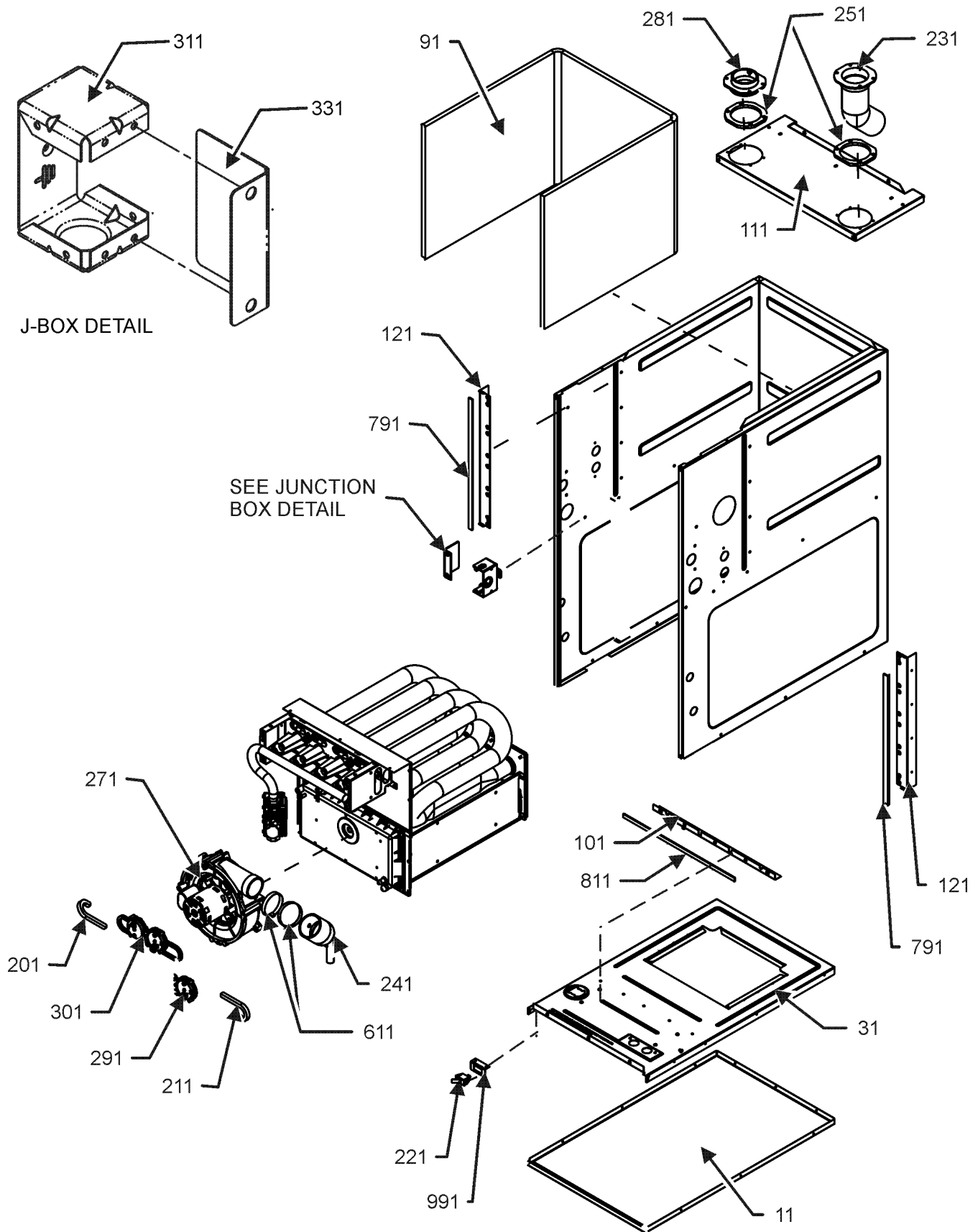
BLOWER ARM DETAIL

BLOWER ASSEMBLY MAY DIFFER FROM WHAT IS SHOWN

Blower Assembly

Ref. Part No: No:	Description:	Ref. Part No: No:	Description:
<i>Image 1:</i>		Expanded Model Nomenclature	
31	0271F00181	BLOWER HSG ASSY (M1, M3)	M1 - GMEC960302BNAC
31	0271F00159	BLOWER SHELL & WHEEL ASSY (M6, M7)	M2 - GMEC960303ANAA
31	0271F00161	BLOWER SHELL & WHEEL ASSY (M8, M9, M10, M11, M12)	M3 - GMEC960402BNAC
31	0271F00163	BLOWER SHELL & WHEEL ASSY (M13)	M4 - GMEC960403ANAA
31	0271F00322	BLOWER SHELL & WHEEL ASSY (M2, M4, M5)	M5 - GMEC960603ANAA
41	0150M00043	WHEEL, BLOWER (10 X 8) (M1, M3)	M6 - GMEC960603BNAC
51	764740	BLOWER BLOCK-OFF 10 X 8 (M1, M3)	M7 - GMEC960803BNAC
61	A4002702	BLOWER MOTOR GROMMET (M8, M9, M10, M11, M12, M13)	M8 - GMEC960804CNAB
141	0121M00038	MOTOR MOUNT BAND (M1, M2, M3, M4, M5, M6, M7)	M9 - GMEC960804CNAC
141	10441601	MOTOR MOUNT BAND (M8, M9, M10, M11, M12, M13)	M10 - GMEC961004CNAC
151	10441501	MOTOR MOUNT ARM (M8, M9, M10, M11, M12, M13)	M11 - GMEC961005CNAB
151	B1376857	MOTOR MOUNT ARM (M1, M2, M3, M4, M5, M6, M7)	M12 - GMEC961005CNAC
181	0131F00032	MOTOR, BLOWER (M1)	M13 - GMEC961205DNAC
181	0131F00033	MOTOR, BLOWER (M3)	
181	0131F00034	MOTOR, BLOWER (M6)	
181	0131F00035	MOTOR, BLOWER (M7)	
181	0131F00036	MOTOR, BLOWER (M10)	
181	0131F00037	MOTOR, BLOWER (M13)	
181	0131F00050	MOTOR, BLOWER (M2)	
181	0131F00051	MOTOR, BLOWER (M5)	
181	0131F00052	MOTOR, BLOWER (M4)	
181	0131F00039	MOTOR,BLOWER (M8, M9)	
181	0131F00040	MOTOR,BLOWER (M11, M12)	
231	0163F00028	SCREW (M8, M9, M10, M11, M12, M13)	
231	M0250565	TC SCREW 1.25" (M1, M2, M3, M4, M5, M6, M7)	
251	M0267144	MACHINE SCREW (M8, M9, M10, M11, M12, M13)	
251	B1393323	MACHINE SCREW HWH 1/4-20 X 1-1/2 BZ (M1, M2, M3, M4, M5, M6, M7)	
261	B1392918	WASHER, FLAT 1/4 ID X 1 OD (M1, M2, M3, M4, M5, M6, M7)	
261	M0274008	WASHER-FLAT (M8, M9, M10, M11, M12, M13)	
281	M0282015	KEPS NUT (M8, M9, M10, M11, M12, M13)	
281	B1393800	LOCKNUT, NYLON, INSERT 1/4, 20 (M1, M2, M3, M4, M5, M6, M7)	
381	0130M00140	TRANSFORMER 120V TO 24V, 40VA	
401	PCBBF137	PCB IGNITION HSI INTEG (M8, M11)	
401	PCBBF139	PCB, IGNITION CONTROL (M1, M2, M3, M4, M5, M6, M7, M9, M10, M12, M13)	
461	0121F00464	MOUNTING PLATE-CONTROLS	
521	0130F00038	PRIMARY LIMIT - LT BLUE 120° (AUX) (QTY 2)	
621	B1392820	WASHER, SPLIT LOCK 1/4 BZ (M8, M9, M10, M11, M12, M13)	
NS	B1392021	PLASTIC PLUG, 1" (2713-BLK) (QTY 4)	
NS	0159F00076	WIRE HARNESS (M1, M2, M3, M4, M5, M6, M7, M9, M10, M12, M13)	
NS	0259F00024	WIRE HARNESS-BLOWER	

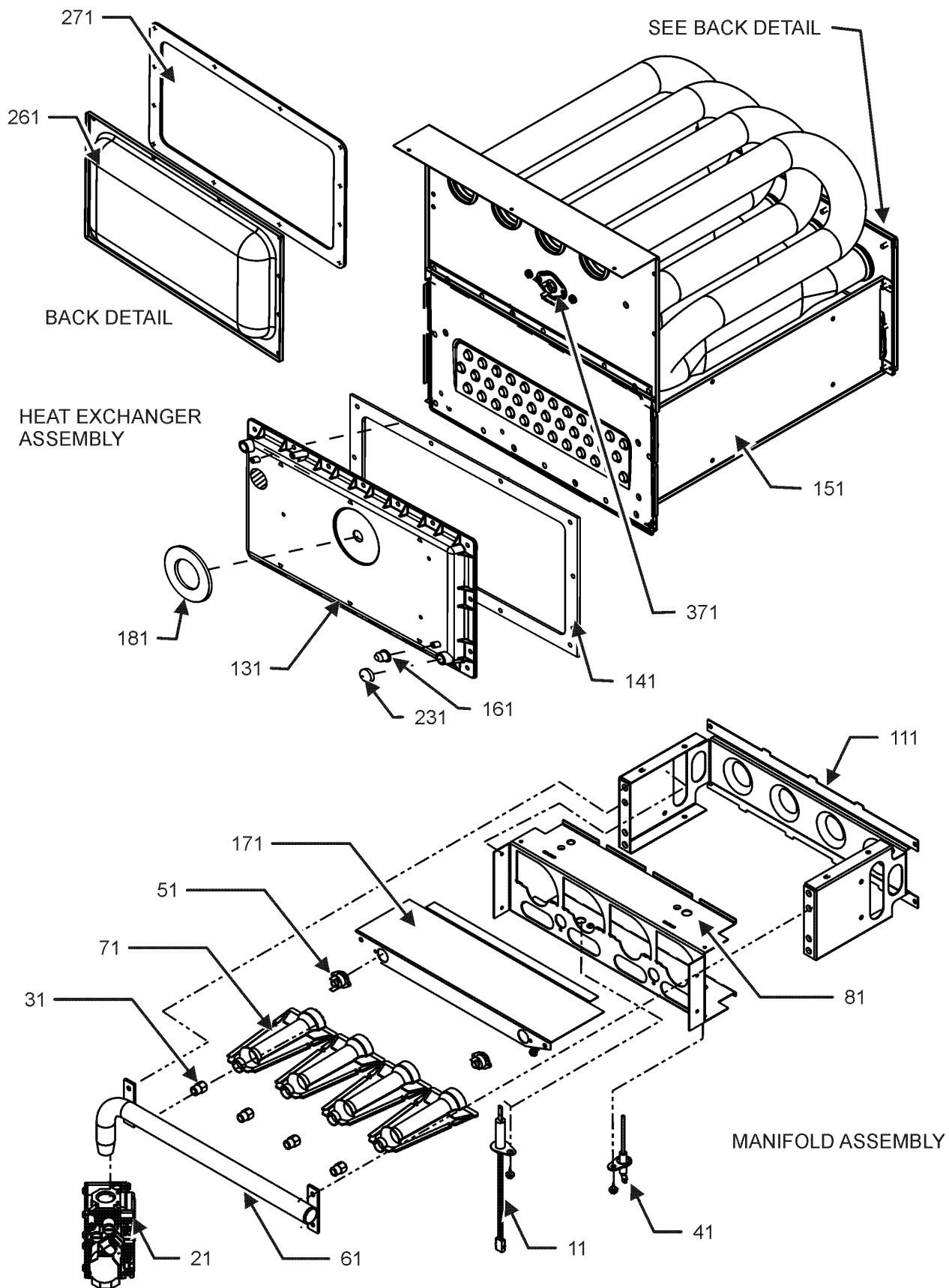
Chassis Assembly



Chassis Assembly

Ref. Part No: No:	Description:	Ref. Part No: No:	Description:
<i>Image 1:</i>		Expanded Model Nomenclature	
11	0121F00530DG	BASEPAN, 17.5 (M1, M3, M6, M7)	M1 - GMEC960302BNAC
11	0121F00531DG	BASEPAN, 21 PNT (M8, M9, M10, M11, M12)	M2 - GMEC960303ANAA
11	0121F00532DG	BASEPAN, 24.5 PNT (M13)	M3 - GMEC960402BNAC
11	0121F00664DG	BASEPAN,14 PNT (M2, M4, M5)	M4 - GMEC960403ANAA
31	0121F00663	DECK, BLOWER 14" (M2, M4, M5)	M5 - GMEC960603ANAA
31	0121F00533	DECK-BLOWER 17.5" (M1, M3, M6, M7)	M6 - GMEC960603BNAC
31	0121F00534	DECK-BLOWER 21" (M8, M9, M10, M11, M12)	M7 - GMEC960803BNAC
31	0121F00535	DECK-BLOWER 24.5" (M13)	M8 - GMEC960804CNAB
91	0160F00025	INSULATION, HT EXCHANGER (M2, M4, M5)	M9 - GMEC960804CNAC
91	0160F00015	INSULATION, HT EXCHANGER 17.5" (M1, M3, M6, M7)	M10 - GMEC961004CNAC
91	0160F00016	INSULATION, HT EXCHANGER 21" (M8, M9, M10, M11, M12)	M11 - GMEC961005CNAB
91	0160F00017	INSULATION, HT EXCHANGER 24.5" (M13)	M12 - GMEC961005CNAC
101	0121F00314	ANGLE, DECK (M1, M3, M6, M7)	M13 - GMEC961205DNAC
101	0121F00315	ANGLE, DECK (M8, M9, M10, M11, M12)	
101	0121F00316	ANGLE, DECK (M13)	
101	0121F00661	ANGLE, DECK (M2, M4, M5)	
111	0121F00279DG	PAINTED TOP, FURNACE 17.5 (M1, M3, M6, M7)	
111	0121F00280DG	PAINTED TOP, FURNACE 21 (M8, M9, M10, M11, M12)	
111	0121F00281DG	PAINTED TOP, FURNACE 24.5 (M13)	
111	0121F00662DG	PNT, FURNACE TOP 14" (M2, M4, M5)	
121	0121F00313	ANGLE, SIDE (QTY 2)	
201	0164M00019	HOSE-PRESSURE SW 6" (QTY 2)	
211	0164M00010	HOSE-PRESSURE SW (M2, M4, M5)	
221	0130M00243	INTERLOCK SWITCH	
231	0164F00002	FLUE PIPE W/BEND	
241	0164F00001	ELBOW-FLUE, UPFLOW	
251	0154F00041	FRESH AIR GASKET (QTY 2)	
271	0171M00007	ID BLOWER, 2 Stg (M2, M4, M5)	
271	0171M00002	MOTOR-ID, BLOWER (M1, M3, M6, M7, M8, M9, M10, M11, M12, M13)	
281	0161F00037	COUPLING	
291	0130F00429	PRESSURE SWITCH (M5, M6, M7, M8, M9, M10, M11, M12, M13)	
291	0130F00485	SWITCH, PRESSURE (M1, M2, M3, M4)	
301	0130F00433	SWITCH, PRESSURE (M3, M4)	
301	0130F00434	SWITCH, PRESSURE (M1, M2, M10)	
301	0130F00435	SWITCH, PRESSURE (M5, M6)	
301	0130F00436	SWITCH, PRESSURE (M7)	
301	0130F00443	SWITCH, PRESSURE (M8, M9, M11, M12)	
301	0130F00445	SWITCH, PRESSURE (M13)	
311	0161F00042	JUNCTION BOX PLA	
331	0161F00043	JUNCTION BOX LID	
611	0163M00049	HOSE CLAMP (QTY 2)	
791	0154F00015	GASKET (QTY 2)	
811	0154F00014	GASKET (M1, M3, M6, M7)	
811	0154F00016	GASKET (M8, M9, M10, M11, M12)	
811	0154F00074	GASKET (M2, M4, M5)	
811	20194607	GASKET (M13)	
991	0121F00389	BRACKET, DOOR SWITCH	
NS	0159F00034	HARNESS-WIRING (M8, M11)	
NS	0159F00035	HARNESS-WIRING (M8, M11)	
NS	0159F00068	HARNESS-WIRING	
NS	0159F00076	HARNESS-WIRING (M1, M2, M3, M4, M5, M6, M7, M9, M10, M12, M13)	
NS	0164M00002	PRESSURE SWITCH HOSE (QTY 2)	
NS	M0326804	TUBE PLUG	

Heat Exchanger / Manifold Assembly



Heat Exchanger / Manifold Assembly

Ref. Part No: No:	Description:	Ref. Part No: No:	Description:
Image 1:		Image 1:	
11	0130F00008	171	0121F00540
	IGNITOR-SINI 17 SEC		SHEILD, BURNER (M5, M6)
21	0151M00027	171	0121F00541
	GAS VALVE		SHEILD, BURNER (M7, M8, M9)
31	0163F00019	171	0121F00542
	ORIFICE (M1, M2)		SHEILD, BURNER (M10, M11, M12)
31	10716005	171	0121F00543
	ORIFICE (M3, M4, M5, M6, M7, M8, M9, M10, M11, M12, M13)		SHEILD, BURNER (M13)
41	0130F00010	181	0154F00043
	FLAME SENSOR		GASKET ID BLOWER
51	0130F00123	231	A1781105
	MANUAL RESET LIMIT (M7)		CAP-VINYL .500
51	10123517	261	0121F00317
	MANUAL RESET LIMIT (M5)		COVER, REAR (M1, M3, M6, M7)
51	10123527	261	0121F00318
	MANUAL RESET LIMIT (M13)		COVER, REAR (M8, M9, M10, M11, M12)
51	10123534	261	0121F00319
	MANUAL RESET LIMIT 220°F (M10, M11, M12)		COVER, REAR (M13)
51	10123539	261	0121F00670
	MANUAL RESET LIMIT-ORANGE (M3, M6, M8, M9)		COVER, REAR (M2, M4, M5)
51	10123538	271	0154F00058
	MANUAL RESET LIMIT-TAN (M2, M4)		GASKET REAR CVR (M2, M4, M5)
51	10123533	271	0154F00037
	MANUAL RESET LIMIT-YELLOW (M1)		GASKET, REAR CVR (M1, M3, M6, M7)
61	0163F00007	271	0154F00038
	MANIFOLD (M1, M2, M3, M4)		GASKET, REAR CVR (M8, M9, M10, M11, M12)
61	0163F00008	271	0154F00039
	MANIFOLD (M6)		GASKET, REAR CVR (M13)
61	0163F00009	371	20162904
	MANIFOLD (M8, M9)		*PRIMARY LIMIT-TEMPERATURE CONTROL (M1, M3, M6, M7, M8, M9)
61	0163F00010		*Refer to service bulletin SF-054
	MANIFOLD (M10, M11, M12)	371	20162903
61	0163F00011		PRIMARY LIMIT - BLUE (M2, M4, M5, M11, M12)
	MANIFOLD (M13)	371	0130F00036
61	0163F00014		PRIMARY LIMIT - PINK (M13)
	MANIFOLD (M7)	371	20162906
71	0163F00017		PRIMARY LIMIT - WHITE (M10)
	BECKETT BURNER (QTY 2)	NS	0121F00582
81	0121F00456		INSULATION, RETAINER (M2, M4, M5)
	BRACKET-BURNER 2 (M1, M2, M3, M4)	NS	0121F00583
81	0121F00455		INSULATION, RETAINER (M1, M3, M6, M7)
	BRACKET-BURNER 3 (M5, M6)	NS	0121F00584
81	0121F00454		INSULATION, RETAINER (M8, M9, M10, M11, M12)
	BRACKET-BURNER 4 (M7, M8, M9)	NS	0121F00585
81	0121F00453		INSULATION, RETAINER (M13)
	BRACKET-BURNER 5 (M10, M11, M12)	NS	0121F00439
81	0121F00451		PRIMARY LIMIT-HEAT SHIELD
	BRACKET-BURNER 6 (M13)	NS	0121F00355
111	0121F00469		SHIELD, COIL (QTY 2)
	ORIFICE BRACKET-BURNER 2 (M1, M2, M3, M4)	Expanded Model Nomenclature	
111	0121F00468	M1 - GMEC960302BNAC	
	ORIFICE BRACKET-BURNER 3 (M5, M6)	M2 - GMEC960303ANAA	
111	0121F00467	M3 - GMEC960402BNAC	
	ORIFICE BRACKET-BURNER 4 (M7, M8, M9)	M4 - GMEC960403ANAA	
111	0121F00466	M5 - GMEC960603ANAA	
	ORIFICE BRACKET-BURNER 5 (M10, M11, M12)	M6 - GMEC960603BNAC	
111	0121F00465	M7 - GMEC960803BNAC	
	ORIFICE BRACKET-BURNER 6 (M13)	M8 - GMEC960804CNAB	
131	0161F00072	M9 - GMEC960804CNAC	
	COVER FRONT (M11, M12)	M10 - GMEC961004CNAC	
131	0161F00015	M11 - GMEC961005CNAB	
	COVER, FRONT (M3)	M12 - GMEC961005CNAC	
131	0161F00024	M13 - GMEC961205DNAC	
	COVER, FRONT (M7)		
131	0161F00030		
	COVER, FRONT (M8, M9)		
131	0161F00032		
	COVER, FRONT (M1)		
131	0161F00054		
	COVER, FRONT (M6)		
131	0161F00063		
	COVER, FRONT (M13)		
131	0161F00081		
	COVER, FRONT (M2)		
131	0161F00082		
	COVER, FRONT (M4)		
131	0161F00083		
	COVER, FRONT (M5)		
131	0161F00065		
	COVER,FRONT (M10)		
141	0154F00026		
	GASKET FRONT COVER (M1, M3, M6, M7)		
141	0154F00030		
	GASKET FRONT COVER (M8, M9, M10, M11, M12)		
141	0154F00034		
	GASKET FRONT COVER (M13)		
141	0154F00059		
	GASKET FRONT COVER		
141	0154F00059		
	GASKET FRONT COVER		
141	0154F00062		
	GASKET FRONT COVER (M2, M4, M5)		
151	0257F00240		
	HEAT EXCHANGER ASSY (M8, M9)		
151	0257F00333		
	HEAT EXCHANGER ASSY (M13)		
151	0257F00374		
	HEAT EXCHANGER ASSY (M6)		
151	0257F00379		
	HEAT EXCHANGER ASSY (M7)		
151	0257F00384		
	HEAT EXCHANGER ASSY (M3)		
151	0257F00393		
	HEAT EXCHANGER ASSY (M10)		
151	0257F00396		
	HEAT EXCHANGER ASSY (M11, M12)		
151	0257F00442		
	HEAT EXCHANGER ASSY (M4)		
151	0257F00445		
	HEAT EXCHANGER ASSY (M5)		
151	0257F00387		
	HEAT EXCHANGER ASSY. (M1)		
151	0257F00444		
	HEAT EXCHANGER ASSY. (M2)		
161	M0326804		
	TUBE PLUG		
171	0121F00539		
	SHEILD, BURNER (M1, M2, M3, M4)		