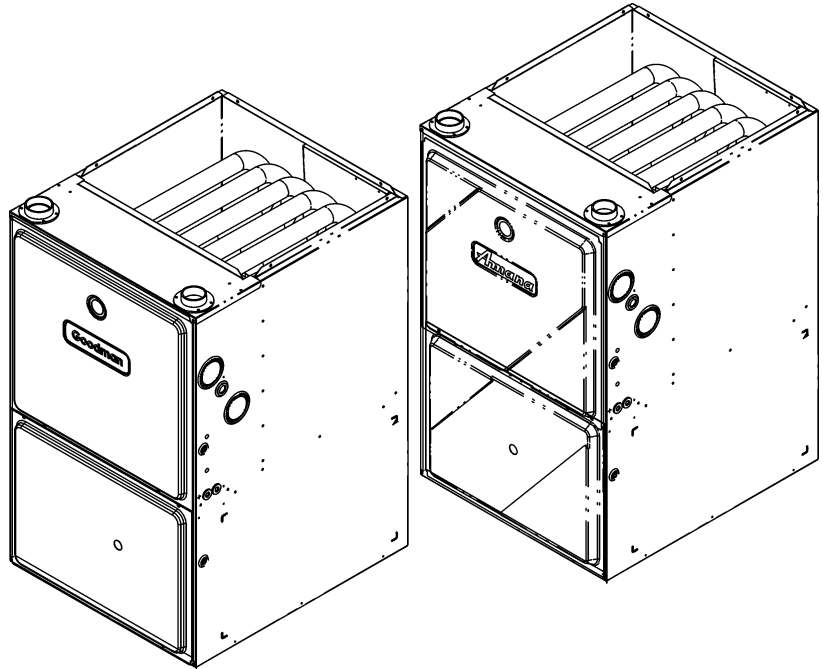


# REPAIR PARTS

## \*MVC95 Variable Speed Furnace

AMVC950453BXAC  
AMVC950453BXAD  
AMVC950453BXAE  
AMVC950704CXAC  
AMVC950704CXAD  
AMVC950704CXAE  
AMVC950905CXAB  
AMVC950905CXAC  
AMVC950905CXAD  
AMVC950905DXAC  
AMVC950905DXAD  
AMVC950905DXAE  
AMVC951155DXAC  
AMVC951155DXAD  
AMVC951155DXAE  
GMVC950453BXAC  
GMVC950453BXAD  
GMVC950453BXAE  
GMVC950704CXAC  
GMVC950704CXAD  
GMVC950704CXAE  
GMVC950905CXAB  
GMVC950905CXAC  
GMVC950905CXAD  
GMVC950905DXAC  
GMVC950905DXAD  
GMVC950905DXAE  
GMVC951155DXAC  
GMVC951155DXAD  
GMVC951155DXAE



This manual is to be used by qualified technicians only.

This manual replaces RP-719.

© 2012-2014 Goodman Manufacturing Company, L.P. ♦ 5151 San Felipe, Suite 500 ♦ Houston, TX 77056

# Important Information

---

## Index

Functional Parts List .....	3
Illustration and Parts .....	4 - 11

*Views shown are for parts illustrations only, not servicing procedures*

4-29-14: Added HTEX information to the GMVC950453BX AC,AD,AE models.

### Text Codes:

AR - As Required

NA - Not Available

NS - Not Shown

00000000 - See Note

QTY - Quantity Example (QTY 3) (If Quantity not shown, Quantity = 1)

M - Model Example (M1) (If M Code not shown, then part is used on all Models)

### Expanded Model Nomenclature:

Example M1 - Model#1 M2 - Model#2 M3 - Model#3
---

Goodman Manufacturing Company, L.P. is not responsible for personal injury or property damage resulting from improper service. Review all service information before beginning repairs.

Warranty service must be performed by an authorized technician, using authorized factory parts. If service is required after the warranty expires, Goodman Manufacturing Company, L.P. also recommends contacting an authorized technician and using authorized factory parts.

Goodman Manufacturing Company, L.P. reserves the right to discontinue, or change at any time, specifications or designs without notice or without incurring obligations.

For assistance within the U.S.A. contact:  
Consumer Affairs Department  
Goodman Manufacturing Company, L.P.  
7401 Security Way  
Houston, Texas 77040  
877-254-4729-Telephone  
713-863-2382-Facsimile

For assistance outside the U.S.A. contact:  
International Division  
Goodman Manufacturing Company, L.P.  
7401 Security Way  
Houston, Texas 77040  
713-861-2500-Telephone  
713-863-2382-Facsimile

# Functional Parts

## Part

## No: Description:

Part No:	Description:	Part No:	Description:
10735102	BECKETT BURNER (QTY A/R)	0131M00271	MOTOR, 3/4 HP, SERIAL ECM (M4, M5, M6, M19, M20, M21)
D6723311	BLOWER WHEEL (M7, M8, M9, M10, M11, M12, M13, M14, M15, M22, M23, M24, M25, M26, M27, M28, M29, M30)	PCBKF103	PCB, CONTROL, FURNACE
B1368047	BLOWER WHEEL 10 X 10 (M4, M5, M6, M19, M20, M21)	0130F00251	PRESSURE SWITCH (M7, M8, M9, M22, M23, M24)
B1368016	BLOWER WHEEL 10 X 8 (M1, M2, M3, M16, M17, M18)	11177113	PRESSURE SWITCH-GRAY (M1, M2, M3, M4, M5, M6, M16, M17, M18, M19, M20, M21)
0130F00010	FLAME SENSOR	11177114	PRESSURE SWITCH-OLIVE (M10, M11, M12, M13, M14, M15, M25, M26, M27, M28, M29, M30)
0130F00008	IGNITOR-SINI 17 SEC	20197308	PRESSURE SWITCH-YELLOW
B1141666	INDUCTOR-5.9 AMP (M4, M5, M6, M7, M8, M9, M10, M11, M12, M13, M14, M15, M19, M20, M21, M22, M23, M24, M25, M26, M27, M28, M29, M30)	20162907	PRIMARY LIMIT (M4, M5, M6, M19, M20, M21)
10123537	LIMIT-RESET-GRAY (M4, M5, M6, M19, M20, M21)	20162904	*PRIMARY LIMIT-TEMPERATURE CONTROL (M13, M14, M15, M28, M29, M30) *Refer to service bulletin SF-054r1
10123518	MANUAL RESET LIMIT (M1, M2, M3, M16, M17, M18)	20162905	PRIMARY LIMIT-YELLOW (M1, M2, M3, M10, M11, M12, M16, M17, M18, M25, M26, M27)
10123536	MANUAL RESET LIMIT 180°F (M7, M8, M9, M10, M11, M12, M22, M23, M24, M25, M26, M27)	B1141605	TRANSFORMER 120V TO 24V, 40 VA
10123537	MANUAL RESET LIMIT-GRAY (M10, M11, M12, M25, M26, M27)	0151M00028	VALVE,GAS(HW)VR92
10123535	MANUAL RESET LIMIT-RED (M1, M2, M3, M16, M17, M18)	<b>Expanded Model Nomenclature</b>	
10123533	MANUAL RESET LIMIT-YELLOW (M4, M5, M6, M7, M8, M9, M13, M14, M15, M19, M20, M21, M22, M23, M24, M28, M29, M30)	M1 - AMVC950453BXAC M2 - AMVC950453BXAD M3 - AMVC950453BXAE M4 - AMVC950704CXAC M5 - AMVC950704CXAD M6 - AMVC950704CXAE M7 - AMVC950905CXAB M8 - AMVC950905CXAC M9 - AMVC950905CXAD M10 - AMVC950905DXAC M11 - AMVC950905DXAD M12 - AMVC950905DXAE M13 - AMVC951155DXAC M14 - AMVC951155DXAD M15 - AMVC951155DXAE M16 - GMVC950453BXAC M17 - GMVC950453BXAD M18 - GMVC950453BXAE M19 - GMVC950704CXAC M20 - GMVC950704CXAD M21 - GMVC950704CXAE M22 - GMVC950905CXAB M23 - GMVC950905CXAC M24 - GMVC950905CXAD M25 - GMVC950905DXAC M26 - GMVC950905DXAD M27 - GMVC950905DXAE M28 - GMVC951155DXAC M29 - GMVC951155DXAD M30 - GMVC951155DXAE	
0130F00129	MEMORY CHIP (M28)		
0130F00192	MEMORY CHIP (M29)		
0130F00190	MEMORY CHIP (M7, M22)		
0130F00090	MEMORY CHIP (M2, M17)		
0130F00190	MEMORY CHIP (M23)		
0130F00182	MEMORY CHIP (M8)		
0130F00139	MEMORY CHIP (M13)		
0130F00138	MEMORY CHIP (M10)		
0130F00135	MEMORY CHIP (M1)		
0130F00126	MEMORY CHIP (M19)		
0130F00128	MEMORY CHIP (M25)		
0130F00103	MEMORY CHIP (M14)		
0130F00272	MEMORY CHIP (M3)		
0130F00121	MEMORY CHIP (M5, M20)		
0130F00282	MEMORY CHIP (M24)		
0130F00122	MEMORY CHIP (M11, M26)		
0130F00125	MEMORY CHIP (M16)		
0130F00136	MEMORY CHIP (M4)		
0130F00274	MEMORY CHIP (M9)		
0130F00280	MEMORY CHIP (M18)		
0130F00275	MEMORY CHIP (M12)		
0130F00276	MEMORY CHIP (M15)		
0130F00281	MEMORY CHIP (M21)		
0130F00283	MEMORY CHIP (M27)		
0130F00284	MEMORY CHIP (M30)		
0130F00273	MEMORY CHIP (M6)		
0131M00272	MOTOR, 1 HP, SERIAL ECM (M7, M8, M9, M10, M11, M12, M13, M14, M15, M22, M23, M24, M25, M26, M27, M28, M29, M30)		
0131M00270	MOTOR, 1/2 HP, SERIAL ECM (M1, M2, M3, M16, M17, M18)		

# Cabinet

Image 1

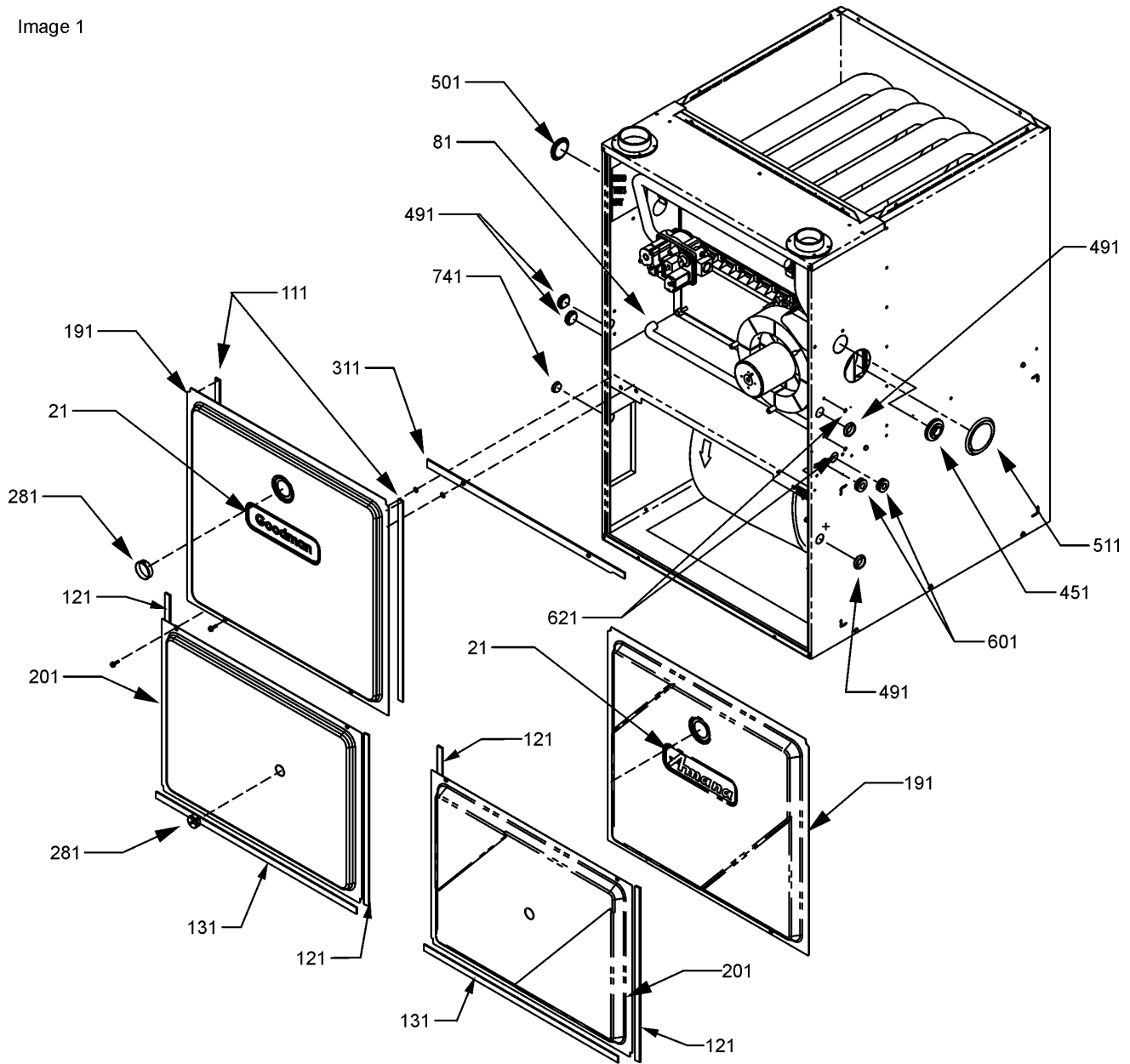
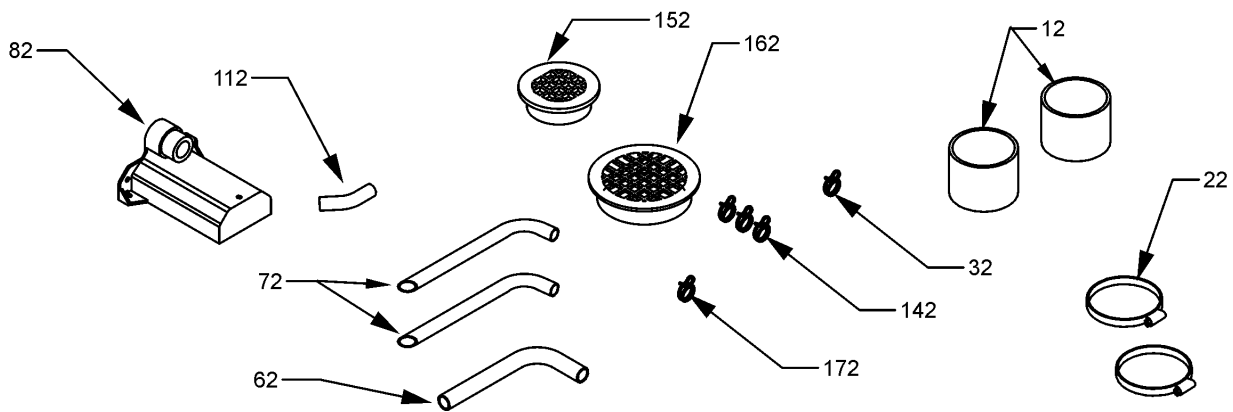


Image 2



# Cabinet

Ref. Part No: No:	Description:	Ref. Part No: No:	Description:
-------------------	--------------	-------------------	--------------

*Image 1:*

21	0161M00003P	AMANA NAMEPLATE (M1, M2, M3, M4, M5, M6, M7, M8, M9, M10, M11, M12, M13, M14, M15)
21	0161F00000P	GOODMAN NAMEPLATE (M16, M17, M18, M19, M20, M21, M22, M23, M24, M25, M26, M27, M28, M29, M30)
81	20201902	DRAIN HOSE
111	20179308	GASKET (QTY 2)
121	20179311	GASKET (QTY 2)
131	20179312	GASKET (M4, M5, M6, M7, M8, M9, M19, M20, M21, M22, M23, M24)
131	20179313	GASKET (M10, M11, M12, M13, M14, M15, M25, M26, M27, M28, M29, M30)
131	20194605	GASKET (M1, M2, M3, M16, M17, M18)
191	0121F00066LG	ACCESS DOOR (M1, M2, M3)
191	0121F00067LG	ACCESS DOOR (M4, M5, M6, M7, M8, M9)
191	0121F00068LG	ACCESS DOOR (M10, M11, M12, M13, M14, M15)
191	0121F00072DG	ACCESS DOOR (M16, M17, M18)
191	0121F00073DG	ACCESS DOOR (M19, M20, M21, M22, M23, M24)
191	0121F00074DG	ACCESS DOOR (M25, M26, M27, M28, M29, M30)
201	0121F00063LG	BLOWER DOOR (M1, M2, M3)
201	0121F00064LG	BLOWER DOOR (M4, M5, M6, M7, M8, M9)
201	0121F00065LG	BLOWER DOOR (M10, M11, M12, M13, M14, M15)
201	0121F00069DG	BLOWER DOOR (M16, M17, M18)
201	0121F00070DG	BLOWER DOOR (M19, M20, M21, M22, M23, M24)
201	0121F00071DG	BLOWER DOOR (M25, M26, M27, M28, M29, M30)
281	B1392139	VIEW PORT BUSHING-BLOWER DOOR (QTY 2)
311	22320001	DECK GASKET (M1, M2, M3, M16, M17, M18)
311	22320002	DECK GASKET (M4, M5, M6, M7, M8, M9, M19, M20, M21, M22, M23, M24)
311	22320003	DECK GASKET (M10, M11, M12, M13, M14, M15, M25, M26, M27, M28, M29, M30)
451	M0501301	PIPE GROMMET
491	M0570808	BUTTON PLUG (QTY 4)
501	M0570806	BUTTON PLUG
511	M0570807	BUTTON PLUG
601	A4691701	GROMMET (QTY 2)
621	M0310345	BUTTON PLUG (QTY 2)
741	B1392104	UNIVERSAL BUSHING UB 875
NS	10195517	STANDPIPE BAG ASSY

*Image 2:*

12	10254303	RUBBER COUPLING
22	0163M00049	HOSE CLAMP (QTY 2)
32	M0119207	HOSE CLAMP
62	20201901	DRAIN HOSE
72	20201802	DRAIN TUBE (QTY 2)
82	20171701	DRAIN TRAP
112	20214202	DRAIN-ANGLE
142	M0119205	HOSE CLAMP (QTY 3)
152	B2810816	2" MESH INSERT
162	B2810814	3" MESH INSERT
172	M0119206	HOSE CLAMP

Expanded Model Nomenclature

M1 - AMVC950453BXAC
M2 - AMVC950453BXAD
M3 - AMVC950453BXAE
M4 - AMVC950704CXAC
M5 - AMVC950704CXAD
M6 - AMVC950704CXAE
M7 - AMVC950905CXAB
M8 - AMVC950905CXAC
M9 - AMVC950905CXAD
M10 - AMVC950905DXAC
M11 - AMVC950905DXAD
M12 - AMVC950905DXAE
M13 - AMVC951155DXAC
M14 - AMVC951155DXAD
M15 - AMVC951155DXAE
M16 - GMVC950453BXAC
M17 - GMVC950453BXAD
M18 - GMVC950453BXAE
M19 - GMVC950704CXAC
M20 - GMVC950704CXAD
M21 - GMVC950704CXAE
M22 - GMVC950905CXAB
M23 - GMVC950905CXAC
M24 - GMVC950905CXAD
M25 - GMVC950905DXAC
M26 - GMVC950905DXAD
M27 - GMVC950905DXAE
M28 - GMVC951155DXAC
M29 - GMVC951155DXAD
M30 - GMVC951155DXAE

# Blower Assembly

\*If end bells are needed please order the following:

0131M00182 - 1/2 HP

0131M00183 - 3/4 HP

0131M00184 - 1 HP

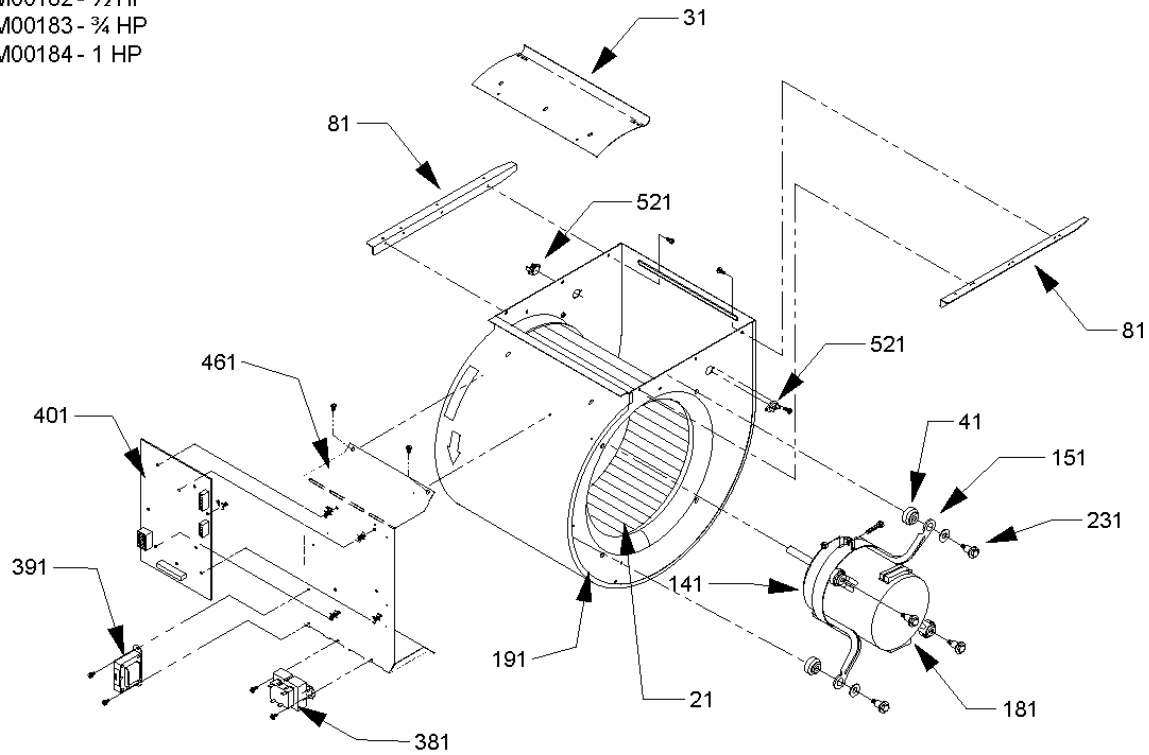
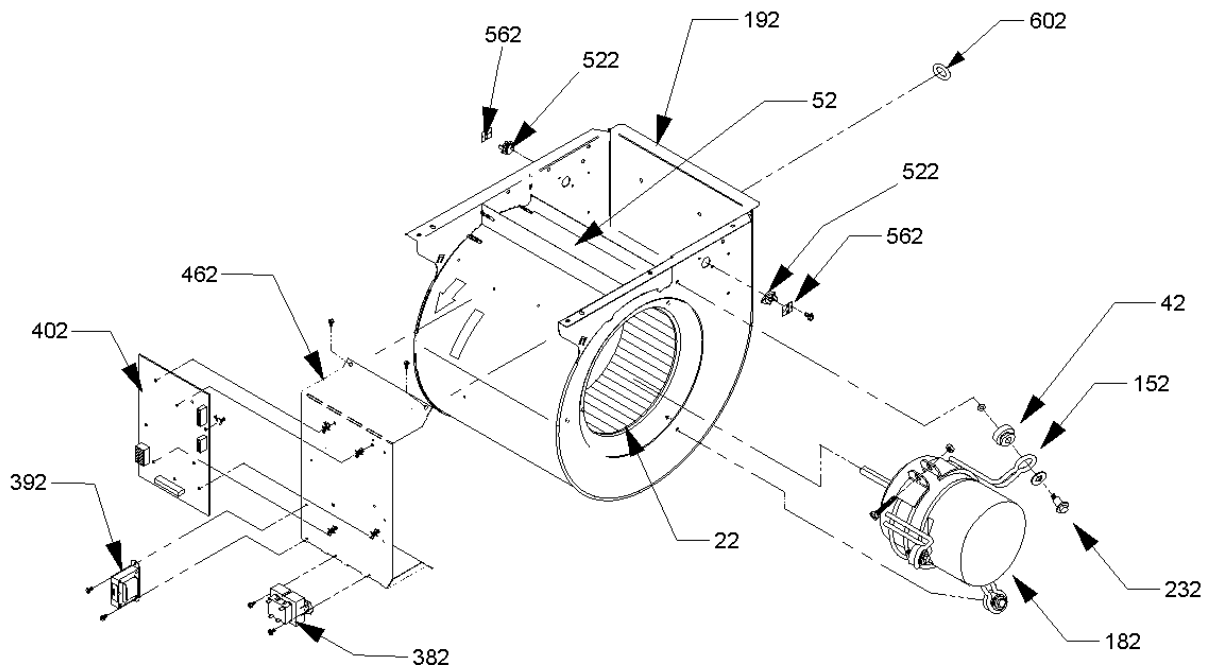


Image 1

Image 2



# Blower Assembly

Ref. Part No:	No:	Description:	Ref. Part No:	No:	Description:
<i>Image 1:</i>			<i>Image 2:</i>		
21	D6723311	BLOWER WHEEL (M7, M8, M9, M10, M11, M12, M13, M14, M15, M22, M23, M24, M25, M26, M27, M28, M29, M30)	52	764740F	BLOWER BLOCK-OFF 10 X 8 (M1, M2, M3, M16, M17, M18)
31	C6121807	BLOWER CUT-OFF (M7, M8, M9, M10, M11, M12, M13, M14, M15, M22, M23, M24, M25, M26, M27, M28, M29, M30)	152	C9443702	MOTOR MOUNT BRACKET (M1, M2, M4, M5, M16, M17, M19, M20)
41	A4002702	BLOWER MOTOR GROMMET	182	0131M00270	MOTOR, 1/2 HP, SERIAL ECM (M1, M2, M3, M16, M17, M18)
141	0121M00038	MOTOR MOUNT BAND (M3, M6, M18, M21)	182	0131M00271	MOTOR, 3/4 HP, SERIAL ECM (M4, M5, M6, M19, M20, M21)
141	10441601	MOTOR MOUNT BAND (M7, M8, M9, M10, M11, M12, M13, M14, M15, M22, M23, M24, M25, M26, M27, M28, M29, M30)	192	0271F00047	BLOWER HOUSING ASSY 11 X 10 (M7, M8, M9, M10, M11, M12, M13, M14, M15, M22, M23, M24, M25, M26, M27, M28, M29, M30)
151	10441501	MOTOR MOUNT ARM (M7, M8, M9, M10, M11, M12, M13, M14, M15, M22, M23, M24, M25, M26, M27, M28, M29, M30)	232	M0221461	TC SCREW (M1, M2, M4, M5, M7, M8, M9, M10, M11, M12, M13, M14, M15, M16, M17, M19, M20, M22, M23, M24, M25, M26, M27, M28, M29, M30)
151	B1376857	MOTOR MOUNT ARM (M3, M6, M18, M21)	382	B1141605	TRANSFORMER 120V TO 24V, 40 VA
181	0131M00272	MOTOR, 1 HP, SERIAL ECM (M7, M8, M9, M10, M11, M12, M13, M14, M15, M22, M23, M24, M25, M26, M27, M28, M29, M30)	392	B1141666	INDUCTOR-5.9 AMP (M4, M5, M6, M7, M8, M9, M10, M11, M12, M13, M14, M15, M19, M20, M21, M22, M23, M24, M25, M26, M27, M28, M29, M30)
191	0271F00004P	BLOWER HOUSING ASSY 10 X 10 (M4, M5, M6, M19, M20, M21)	402	PCBKF103	PCB, CONTROL, FURNACE
191	0271F00074	BLOWER HOUSING ASSY 10 X 8 (M1, M2, M3, M16, M17, M18)	462	0121F00094	CONTROL MOUNT PANEL
231	M0221461	TC SCREW (M1, M2, M4, M5, M7, M8, M9, M10, M11, M12, M13, M14, M15, M16, M17, M19, M20, M22, M23, M24, M25, M26, M27, M28, M29, M30)	522	10123537	LIMIT-RESET-GRAY (M4, M5, M6, M19, M20, M21)
381	B1141605	TRANSFORMER 120V TO 24V, 40 VA	522	10123535	MANUAL RESET LIMIT-RED (M1, M2, M3, M16, M17, M18)
391	B1141666	INDUCTOR-5.9 AMP (M4, M5, M6, M7, M8, M9, M10, M11, M12, M13, M14, M15, M19, M20, M21, M22, M23, M24, M25, M26, M27, M28, M29, M30)	562	2509503F	AUXILIARY LIMIT BRACKET (M1, M2, M3, M4, M5, M6, M16, M17, M18, M19, M20, M21)
401	PCBKF103	PCB, CONTROL, FURNACE	602	B1392021	PLASTIC PLUG, 1" (2713-BLK) (M1, M2, M3, M4, M5, M6, M16, M17, M18, M19, M20, M21)
461	0121F00094	CONTROL MOUNT PANEL	NS	0259F00024	BLOWER WIRE HARNESS
521	10123536	MANUAL RESET LIMIT 180°F (M7, M8, M9, M10, M11, M12, M22, M23, M24, M25, M26, M27)	NS	0259F00040	CONTROL HARNESS
521	10123533	MANUAL RESET LIMIT-YELLOW (M4, M5, M6, M7, M8, M9, M13, M14, M15, M19, M20, M21, M22, M23, M24, M28, M29, M30)	NS	0159F00012	HARNESS, WIRING (M1, M4, M16, M19)
NS	0259F00024	BLOWER WIRE HARNESS	NS	0130F00103	MEMORY CHIP (M14)
NS	0259F00040	CONTROL HARNESS	NS	0130F00122	MEMORY CHIP (M11, M26)
NS	0159F00012	HARNESS, WIRING (M7, M10, M13, M22, M25, M28)	NS	0130F00128	MEMORY CHIP (M25)
NS	0130F00090	MEMORY CHIP (M2, M17)	NS	0130F00129	MEMORY CHIP (M28)
NS	0130F00121	MEMORY CHIP (M5, M20)	NS	0130F00138	MEMORY CHIP (M10)
NS	0130F00125	MEMORY CHIP (M16)	NS	0130F00139	MEMORY CHIP (M13)
NS	0130F00126	MEMORY CHIP (M19)	NS	0130F00182	MEMORY CHIP (M8)
NS	0130F00135	MEMORY CHIP (M1)	NS	0130F00190	MEMORY CHIP (M23)
NS	0130F00136	MEMORY CHIP (M4)	NS	0130F00190	MEMORY CHIP (M7, M22)
NS	0130F00272	MEMORY CHIP (M3)	NS	0130F00192	MEMORY CHIP (M29)
NS	0130F00273	MEMORY CHIP (M6)	NS	0130F00274	MEMORY CHIP (M9)
NS	0130F00280	MEMORY CHIP (M18)	NS	0130F00275	MEMORY CHIP (M12)
NS	0130F00281	MEMORY CHIP (M21)	NS	0130F00276	MEMORY CHIP (M15)
NS	0259F00041	POWER HARNESS	NS	0130F00276	MEMORY CHIP (M15)
			NS	0130F00282	MEMORY CHIP (M24)
			NS	0130F00283	MEMORY CHIP (M27)
			NS	0130F00284	MEMORY CHIP (M30)
			NS	0259F00041	POWER HARNESS HIGH VOLTAGE
<i>Image 2:</i>					
22	B1368047	BLOWER WHEEL 10 X 10 (M4, M5, M6, M19, M20, M21)			
22	B1368016	BLOWER WHEEL 10 X 8 (M1, M2, M3, M16, M17, M18)			
42	A4002702	BLOWER MOTOR GROMMET			
52	764741F	BLOWER BLOCK-OFF 10 X 10 (M4, M5, M6, M19, M20, M21)			

# Blower Assembly

**Ref. Part**  
**No: No:**

**Description:**

**Ref. Part**  
**No: No:**

**Description:**

---

## Expanded Model Nomenclature

M1 - AMVC950453BXAC
M2 - AMVC950453BXAD
M3 - AMVC950453BXAE
M4 - AMVC950704CXAC
M5 - AMVC950704CXAD
M6 - AMVC950704CXAE
M7 - AMVC950905CXAB
M8 - AMVC950905CXAC
M9 - AMVC950905CXAD
M10 - AMVC950905DXAC
M11 - AMVC950905DXAD
M12 - AMVC950905DXAE
M13 - AMVC951155DXAC
M14 - AMVC951155DXAD
M15 - AMVC951155DXAE
M16 - GMVC950453BXAC
M17 - GMVC950453BXAD
M18 - GMVC950453BXAE
M19 - GMVC950704CXAC
M20 - GMVC950704CXAD
M21 - GMVC950704CXAE
M22 - GMVC950905CXAB
M23 - GMVC950905CXAC
M24 - GMVC950905CXAD
M25 - GMVC950905DXAC
M26 - GMVC950905DXAD
M27 - GMVC950905DXAE
M28 - GMVC951155DXAC
M29 - GMVC951155DXAD
M30 - GMVC951155DXAE

\*If end bells are needed please order the following:

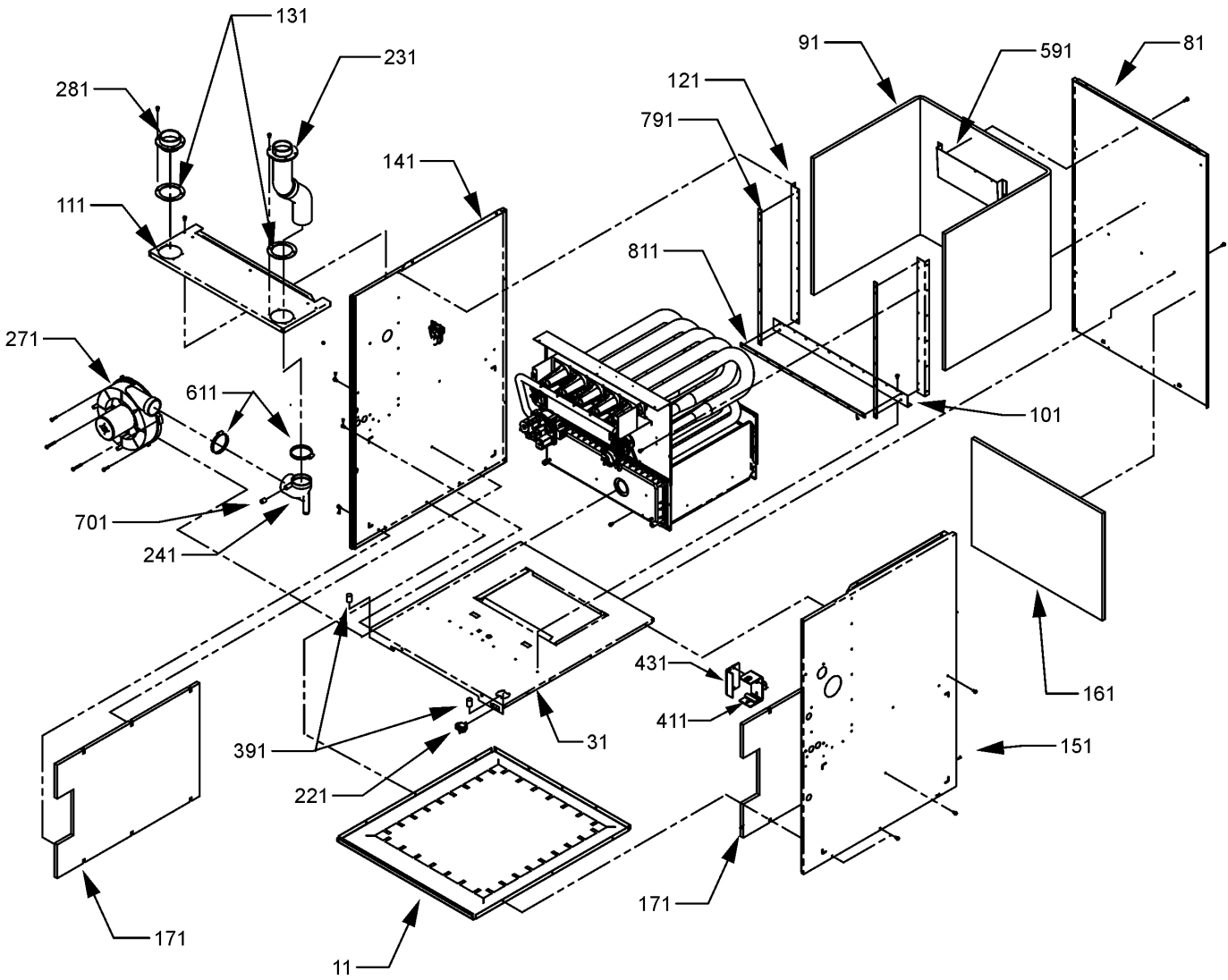
0131M00182 - 1/2 HP

0131M00183 - 3/4 HP

0131M00184 - 1 HP



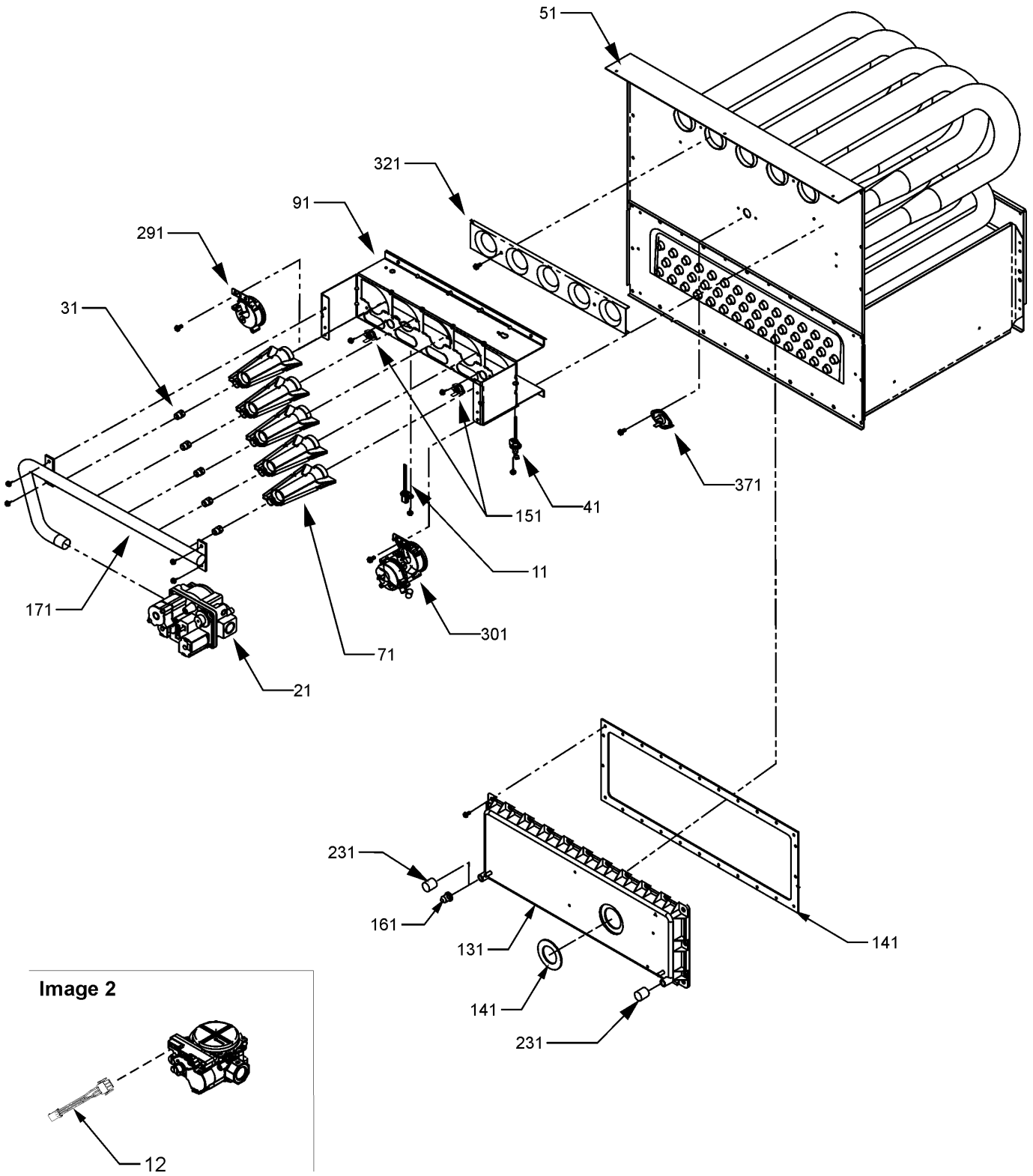
# Chassis



# Chassis

Ref. Part No:	No:	Description:	Ref. Part No:	No:	Description:																														
<i>Image 1:</i>			<i>Image 1:</i>																																
11	0121F00050DG	BASE PAN (M1, M2, M3, M16, M17, M18)	611	0163M00049	HOSE CLAMP (QTY 2)																														
11	0121F00051DG	BASE PAN (M4, M5, M6, M7, M8, M9, M19, M20, M21, M22, M23, M24)	701	M0326804	TUBE PLUG																														
11	0121F00052DG	BASE PAN (M10, M11, M12, M13, M14, M15, M25, M26, M27, M28, M29, M30)	791	20194607	GASKET (QTY 2)																														
31	0121F00045	BLOWER DECK (M4, M5, M6, M19, M20, M21)	811	20194605	GASKET (M1, M2, M3, M16, M17, M18)																														
31	0121F00048	BLOWER DECK (M10, M11, M12, M13, M14, M15, M25, M26, M27, M28, M29, M30)	811	20194607	GASKET (M4, M5, M6, M7, M8, M9, M10, M11, M12, M13, M14, M15, M19, M20, M21, M22, M23, M24, M25, M26, M27, M28, M29, M30)																														
31	0121F00246	BLOWER DECK (M7, M8, M9, M22, M23, M24)	NS	0164M00002	PRESSURE SWITCH HOSE																														
81	20273208	BACK PANEL (M1, M2, M3, M16, M17, M18)	NS	0164M00007	PRESSURE SWITCH HOSE (M1, M4, M7, M10, M16, M19, M22, M25, M28)																														
81	20273209	BACK PANEL (M4, M5, M6, M7, M8, M9, M19, M20, M21, M22, M23, M24)	NS	0164M00011	PRESSURE SWITCH HOSE (M1, M16)																														
81	20273211	BACK PANEL (M10, M11, M12, M13, M14, M15, M25, M26, M27, M28, M29, M30)	NS	0164M00012	PRESSURE SWITCH HOSE (M2, M3, M17, M18)																														
91	C6415909	HEAT EXCHANGER INSULATION (M10, M11, M12, M13, M14, M15, M25, M26, M27, M28, M29, M30)	NS	0164M00013	PRESSURE SWITCH HOSE (M8, M9)																														
91	C6415910	HEAT EXCHANGER INSULATION (M1, M2, M3, M16, M17, M18)	NS	0164M00015	PRESSURE SWITCH HOSE (M13)																														
91	C6415911	HEAT EXCHANGER INSULATION (M4, M5, M6, M7, M8, M9, M19, M20, M21, M22, M23, M24)	<b>Expanded Model Nomenclature</b>																																
101	0121F00018P	DECK RAIL (M1, M2, M3, M16, M17, M18)	<table border="1"> <tr><td>M1 - AMVC950453BXAC</td></tr> <tr><td>M2 - AMVC950453BXAD</td></tr> <tr><td>M3 - AMVC950453BXAE</td></tr> <tr><td>M4 - AMVC950704CXAC</td></tr> <tr><td>M5 - AMVC950704CXAD</td></tr> <tr><td>M6 - AMVC950704CXAE</td></tr> <tr><td>M7 - AMVC950905CXAB</td></tr> <tr><td>M8 - AMVC950905CXAC</td></tr> <tr><td>M9 - AMVC950905CXAD</td></tr> <tr><td>M10 - AMVC950905DXAC</td></tr> <tr><td>M11 - AMVC950905DXAD</td></tr> <tr><td>M12 - AMVC950905DXAE</td></tr> <tr><td>M13 - AMVC951155DXAC</td></tr> <tr><td>M14 - AMVC951155DXAD</td></tr> <tr><td>M15 - AMVC951155DXAE</td></tr> <tr><td>M16 - GMVC950453BXAC</td></tr> <tr><td>M17 - GMVC950453BXAD</td></tr> <tr><td>M18 - GMVC950453BXAE</td></tr> <tr><td>M19 - GMVC950704CXAC</td></tr> <tr><td>M20 - GMVC950704CXAD</td></tr> <tr><td>M21 - GMVC950704CXAE</td></tr> <tr><td>M22 - GMVC950905CXAB</td></tr> <tr><td>M23 - GMVC950905CXAC</td></tr> <tr><td>M24 - GMVC950905CXAD</td></tr> <tr><td>M25 - GMVC950905DXAC</td></tr> <tr><td>M26 - GMVC950905DXAD</td></tr> <tr><td>M27 - GMVC950905DXAE</td></tr> <tr><td>M28 - GMVC951155DXAC</td></tr> <tr><td>M29 - GMVC951155DXAD</td></tr> <tr><td>M30 - GMVC951155DXAE</td></tr> </table>			M1 - AMVC950453BXAC	M2 - AMVC950453BXAD	M3 - AMVC950453BXAE	M4 - AMVC950704CXAC	M5 - AMVC950704CXAD	M6 - AMVC950704CXAE	M7 - AMVC950905CXAB	M8 - AMVC950905CXAC	M9 - AMVC950905CXAD	M10 - AMVC950905DXAC	M11 - AMVC950905DXAD	M12 - AMVC950905DXAE	M13 - AMVC951155DXAC	M14 - AMVC951155DXAD	M15 - AMVC951155DXAE	M16 - GMVC950453BXAC	M17 - GMVC950453BXAD	M18 - GMVC950453BXAE	M19 - GMVC950704CXAC	M20 - GMVC950704CXAD	M21 - GMVC950704CXAE	M22 - GMVC950905CXAB	M23 - GMVC950905CXAC	M24 - GMVC950905CXAD	M25 - GMVC950905DXAC	M26 - GMVC950905DXAD	M27 - GMVC950905DXAE	M28 - GMVC951155DXAC	M29 - GMVC951155DXAD	M30 - GMVC951155DXAE
M1 - AMVC950453BXAC																																			
M2 - AMVC950453BXAD																																			
M3 - AMVC950453BXAE																																			
M4 - AMVC950704CXAC																																			
M5 - AMVC950704CXAD																																			
M6 - AMVC950704CXAE																																			
M7 - AMVC950905CXAB																																			
M8 - AMVC950905CXAC																																			
M9 - AMVC950905CXAD																																			
M10 - AMVC950905DXAC																																			
M11 - AMVC950905DXAD																																			
M12 - AMVC950905DXAE																																			
M13 - AMVC951155DXAC																																			
M14 - AMVC951155DXAD																																			
M15 - AMVC951155DXAE																																			
M16 - GMVC950453BXAC																																			
M17 - GMVC950453BXAD																																			
M18 - GMVC950453BXAE																																			
M19 - GMVC950704CXAC																																			
M20 - GMVC950704CXAD																																			
M21 - GMVC950704CXAE																																			
M22 - GMVC950905CXAB																																			
M23 - GMVC950905CXAC																																			
M24 - GMVC950905CXAD																																			
M25 - GMVC950905DXAC																																			
M26 - GMVC950905DXAD																																			
M27 - GMVC950905DXAE																																			
M28 - GMVC951155DXAC																																			
M29 - GMVC951155DXAD																																			
M30 - GMVC951155DXAE																																			
101	0121F00019P	DECK RAIL (M4, M5, M6, M7, M8, M9, M19, M20, M21, M22, M23, M24)																																	
101	20191303	DECK RAIL (M10, M11, M12, M13, M14, M15, M25, M26, M27, M28, M29, M30)																																	
111	0270F00100P	TOP COVER ASSY (M1, M2, M3, M16, M17, M18)																																	
111	0270F00101P	TOP COVER ASSY (M4, M5, M6, M7, M8, M9, M19, M20, M21, M22, M23, M24)																																	
111	0270F00102P	TOP COVER ASSY (M10, M11, M12, M13, M14, M15, M25, M26, M27, M28, M29, M30)																																	
121	20191602	SIDE RAIL (M1, M2, M3, M16, M17, M18)																																	
121	20191603	SIDE RAIL (M4, M5, M6, M7, M8, M9, M19, M20, M21, M22, M23, M24)																																	
121	20191604	SIDE RAIL (M10, M11, M12, M13, M14, M15, M25, M26, M27, M28, M29, M30)																																	
131	0154F00000P	COIL GASKET (M1, M2, M3, M16, M17, M18)																																	
131	0154F00001P	COIL GASKET (M4, M5, M6, M7, M8, M9, M19, M20, M21, M22, M23, M24)																																	
131	0154F00002P	COIL GASKET (M10, M11, M12, M13, M14, M15, M25, M26, M27, M28, M29, M30)																																	
141	0121F00092DG	PANEL-SIDE LH UF PNT																																	
151	0121F00090DG	PANEL-SIDE RH UF PNT																																	
161	20006601	INSULATION (M1, M2, M3, M16, M17, M18)																																	
161	20006602	INSULATION (M4, M5, M6, M7, M8, M9, M19, M20, M21, M22, M23, M24)																																	
161	20006603	INSULATION (M10, M11, M12, M13, M14, M15, M25, M26, M27, M28, M29, M30)																																	
171	20243503	SIDE INSULATION (QTY 2)																																	
221	B1370818	INTERLOCK SWITCH																																	
231	22309501	FLUE PIPE																																	
241	20171802	ELBOW																																	
271	0271F00126	ID BLOWER ASSEMBLY																																	
281	20049701	FA COUPLING																																	
391	M0275521	PLASTIC SEALER																																	
411	0161F00012	JUNCTION BOX-PLA																																	
431	0161F00013	JUNCTION BOX-LID																																	
591	11165107	ID BLOWER SHIELD																																	

# Heat Exchanger / Manifold / Gas Valve



# Heat Exchanger / Manifold / Gas Valve

Ref. Part No:	No:	Description:
<i>Image 1:</i>		
11	0130F00008	IGNITOR-SINI 17 SEC
21	0151M00028	VALVE,GAS(HW)VR92
31	10716003	ORIFICE (QTY A/R)
41	0130F00010	FLAME SENSOR
51	0257F00205	HEAT EXCHANGER ASSY (M7, M8, M9)
51	0257F00206	HEAT EXCHANGER ASSY (M22, M23, M24)
51	0257F00143	HEAT EXCHANGER ASSY 2B (M1, M2, M3, M16, M17, M18)
51	0257F00139	HEAT EXCHANGER ASSY 3B (M19, M20, M21)
51	0257F00146	HEAT EXCHANGER ASSY 3B (M4, M5, M6)
51	0257F00140	HEAT EXCHANGER ASSY 4B (M10, M11, M12, M25, M26, M27)
51	0257F00174	HEAT EXCHANGER ASSY 5B (M13, M14, M15)
51	0257F00180	HEAT EXCHANGER ASSY 5B (M28, M29, M30)
71	10735102	BECKETT BURNER (QTY A/R)
91	20190410	BURNER BRACKET 2B (M1, M2, M3, M16, M17, M18)
91	20190411	BURNER BRACKET 3B (M4, M5, M6, M19, M20, M21)
91	20190412	BURNER BRACKET 4B (M7, M8, M9, M10, M11, M12, M22, M23, M24, M25, M26, M27)
91	20190413	BURNER BRACKET 5B (M13, M14, M15, M28, M29, M30)
131	20170804A	FRONT COVER (M1, M2, M3, M16, M17, M18)
131	20170903A	FRONT COVER (M4, M5, M6, M19, M20, M21)
131	20170906A	FRONT COVER (M7, M8, M9, M22, M23, M24)
131	20171003A	FRONT COVER (M10, M11, M12, M25, M26, M27)
131	20171004A	FRONT COVER (M13, M14, M15, M28, M29, M30)
141	0154F00000P	COIL GASKET (M1, M2, M3, M16, M17, M18)
141	0154F00001P	COIL GASKET (M4, M5, M6, M7, M8, M9, M19, M20, M21, M22, M23, M24)
141	0154F00002P	COIL GASKET (M10, M11, M12, M13, M14, M15, M25, M26, M27, M28, M29, M30)
151	10123518	MANUAL RESET LIMIT (M1, M2, M3, M16, M17, M18)
151	10123537	MANUAL RESET LIMIT-GRAY (M10, M11, M12, M25, M26, M27)
151	10123533	MANUAL RESET LIMIT-YELLOW (M4, M5, M6, M7, M8, M9, M13, M14, M15, M19, M20, M21, M22, M23, M24, M28, M29, M30)
161	M0326804	TUBE PLUG
171	20196401	MANIFOLD - 2 BRNR (M1, M2, M3, M16, M17, M18)
171	20196402	MANIFOLD - 3 BRNR (M4, M5, M6, M19, M20, M21)
171	20196403	MANIFOLD - 4 BRNR (M7, M8, M9, M10, M11, M12, M22, M23, M24, M25, M26, M27)
171	20196404	MANIFOLD - 5 BRNR (M13, M14, M15, M28, M29, M30)
231	A1781105	CAP-VINYL .500 (QTY 2)
291	20197308	PRESSURE SWITCH-YELLOW
301	0130F00251	PRESSURE SWITCH (M7, M8, M9, M22, M23, M24)
301	11177113	PRESSURE SWITCH-GRAY (M1, M2, M3, M4, M5, M6, M16, M17, M18, M19, M20, M21)
301	11177114	PRESSURE SWITCH-OLIVE (M10, M11, M12, M13, M14, M15, M25, M26, M27, M28, M29, M30)
321	11072201	ORIFICE SHIELD (M1, M2, M3, M16, M17, M18)
321	11072202	ORIFICE SHIELD (M4, M5, M6, M19, M20, M21)

Ref. Part No:	No:	Description:
<i>Image 1:</i>		
321	11072203	ORIFICE SHIELD (M7, M8, M9, M10, M11, M12, M22, M23, M24, M25, M26, M27)
321	11072204	ORIFICE SHIELD (M13, M14, M15, M28, M29, M30)
371	20162907	PRIMARY LIMIT (M4, M5, M6, M19, M20, M21)
371	20162904	*PRIMARY LIMIT-TEMPERATURE CONTROL (M13, M14, M15, M28, M29, M30) *Refer to service bulletin SF-054r1
371	20162905	PRIMARY LIMIT-YELLOW (M1, M2, M3, M10, M11, M12, M16, M17, M18, M25, M26, M27)

<i>Image 2:</i>		
12	0259M00004	WIRE HARNESS, ADAPTOR (M1, M4, M7, M10, M13, M16, M19, M22, M25, M28)

## Expanded Model Nomenclature

M1 - AMVC950453BXAC
M2 - AMVC950453BXAD
M3 - AMVC950453BXAE
M4 - AMVC950704CXAC
M5 - AMVC950704CXAD
M6 - AMVC950704CXAE
M7 - AMVC950905CXAB
M8 - AMVC950905CXAC
M9 - AMVC950905CXAD
M10 - AMVC950905DXAC
M11 - AMVC950905DXAD
M12 - AMVC950905DXAE
M13 - AMVC951155DXAC
M14 - AMVC951155DXAD
M15 - AMVC951155DXAE
M16 - GMVC950453BXAC
M17 - GMVC950453BXAD
M18 - GMVC950453BXAE
M19 - GMVC950704CXAC
M20 - GMVC950704CXAD
M21 - GMVC950704CXAE
M22 - GMVC950905CXAB
M23 - GMVC950905CXAC
M24 - GMVC950905CXAD
M25 - GMVC950905DXAC
M26 - GMVC950905DXAD
M27 - GMVC950905DXAE
M28 - GMVC951155DXAC
M29 - GMVC951155DXAD
M30 - GMVC951155DXAE