

Manhole Rings & Covers - Index

Item Number	Description	Page
MH100N-35	26" OKLAHOMA "REV" R&C	MH3
MH102N	26" OKLAHOMA R&C "SAN SWR"	MH3
MH103N	26" LAWTON, OK R&C "SAN"	MH3
MH103	26" R&C "SAN"	MH4
MH107	23-1/2" TOP FLG R&C "PLAIN & STORM"	MH4
MH109	23-1/2" TOP FLG SIDE WALK R&C	MH4
MH110	23-1/2" R&C W/MUD RING "TX"	MH4
MH111	23-1/2" FLARING R&C "LA"	MH5
MH112	23-1/2" R&C BATON ROGUE CPTM	MH5
MH115	32" CVR&R W/MUD RING	MH5
MH116EPN	32" R&C "NEW MEXICO" RIO VALLEY	MH5
MH116EPT	32" R&C "NEW MEXICO" RIO VALLEY	MH6
MH116EPW	32" R&C "NEW MEXICO" RIO VALLEY	MH6
MH117D	23-3/16" R&C "DRAIN" LA, JUNCTION BOX	MH6
MH118	12-1/2" - 8"H TULSA LAMPHOLE	MH7
MH1200T-35	23-1/2" R&C "COH" INVERTED	MH7
MH122N-35	23-1/2" R&C TULSA SAN SWR "NEW STYLE"	MH7
MH123SW	20" R&C "SAMPLE WELL" PARK/PLAIN	MH7
MH125N	23-3/4" R&C "SAN SEWER" ODESSA	MH8
MH127N	24" R&C "SAN SWR" MIDLAND	MH8
MH129E-35	30-5/8" R&C "ELEC"	MH8
MH131	19" R&C "REV" PLAIN	MH8
MH132	23-1/2" R&C "REV" PLAIN	MH9
MH133	25 " R&C "REV" PLAIN	MH9
MH133TD	25 " R&C "REV" "STORM DRAIN"	MH9
MH134C	32" R&C "REV" COMMUNICATION	MH9
MH1376	32" W/T R&C "CEDAR PARK"	MH10
MH140N	24" 400LBS DFW R&C "SAN SWR"	MH10
MH141	24" 400LBS DFW WATER TIGHT	MH10
MH1403	3" R&C RISER FOR MH140	MH10
MH1404	4" RISER FOR MH140	MH10
MH1375	32" R&C "CEDAR PARK"	MH11
MH142N	24" TX REV R&C " SAN SWR"	MH11
MH143LN	24" TX R&C "SAN SWR" LIGHT	MH11
MH143	24" TX R&C	MH11
MH143HN-35	24" R&C "SAN" HARLINGEN STD ROADWAY	MH12
MH145WW	24" DALLAS W/T R&C "W/WTR"	MH12
MH14325	24" TX 2-1/2" RISER RING	MH12
MH1433	24" TX 3" RISER RING	MH12
MH1434	24" TX 4" RISER RING	MH12
MH1436	24" TX 6" RISER RING	MH12
MH147N	23-1/2" AUSTIN W/T R & DI: LID "SAN SWR"	MH13
MH149EP	23-7/8" R&C "EL PASO"	MH13
MH152	26-1/2" R&C Mc ALLEN	MH14
MH153	26-1/2" W/T R&C Mc ALLEN	MH14
MH1575	32" R& DI: CVR - AUSTIN	MH14
MH1576	32" W/T R& DI: CVR - AUSTIN	MH14
MH158	23-3/4 R&C CORPUS CHRISTI	MH15
MH1600N-35	32" COH R&C "SAN"	MH15
MH1600T-35	32" COH R&C "STORM"	MH15
MH16003-35	32" COH 2" RISER RING ONLY	MH15
MH16004-35	32" COH 3" RISER RING ONLY	MH15
MH16005-35	32" COH 4" RISER RING ONLY	MH15
MH1675	32" R&C - GENERIC	MH16



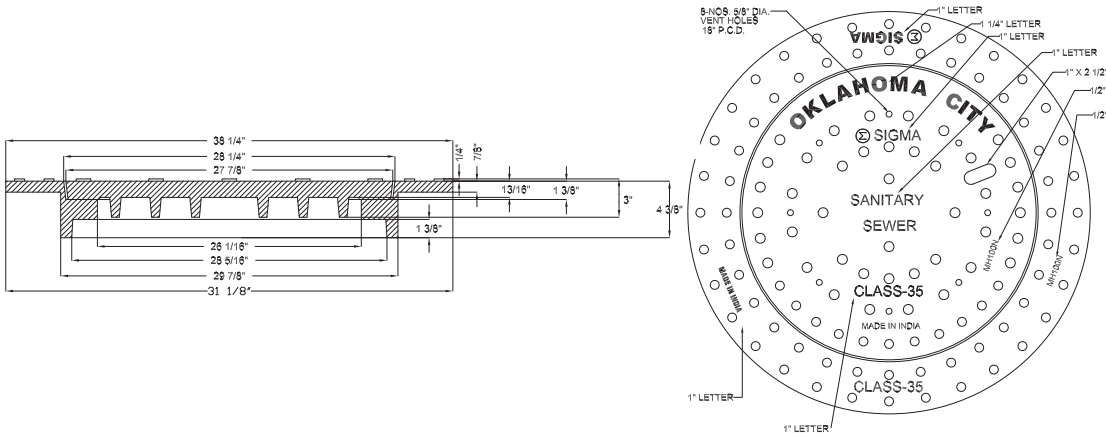
Manhole Rings & Covers - Index

Item Number	Description	Page
MH1676	32" W/T R&C - GENERIC	MH16
MH1700W	48" COH R&C "WATER"	MH16
MH171	18" CHAIN INLET SET "AUSTIN"	MH16
MH171C	18" CHAIN INLET SET "CEDAR PARK"	MH17
MH171F	18" CHAIN INLET SET "PFLUGERVILLE"	MH17
MH171L	18" CHAIN INLET SET "LEANDER"	MH17
MH171R	18" CHAIN INLET SET "ROUND ROCK"	MH17
MH171P	18" CHAIN INLET SET "PLAIN"	MH17
MH177	23-3/8" INLET W/LOCK"STORM DRAIN"	MH17
MH1812G	12" REV SLAB TYPE R&G FOR ADS PIPE	MH18
MH1815G	15" REV SLAB TYPE R&G FOR ADS PIPE	MH18
MH1818G	18" REV SLAB TYPE R&G FOR ADS PIPE	MH18
MH1824G	24" REV SLAB TYPE R&G FOR ADS PIPE	MH18
MH185TD-35	26" REV R&C "STORM DRAIN"	MH18
MH185SA-35	26" REV R&C FISH LOGO- SAN ANTONIO	MH18
MH192N	23-1/2" 250LBS ARK R&C "SAN SWR"	MH18
MH1922	2" RISER RING FOR MH192/MH110	MH19
MH1923	3" RISER RING FOR MH192/MH109	MH19
MH1924	4" RISER RING FOR MH192/MH110	MH19
MH1926	6" RISER RING FOR MH192/MH111	MH19
MH192LN	23-1/2" R&C W/PICK BAR, AR	MH19
MH1975	32" R&C ROUND ROCK, TX	MH19
MH1976	32" R&C WATER TIGHT ROUND ROCK, TX	MH20
MH201	24" R&C SLAB STYLE	MH20
MH202	22" R&C SLAB STYLE	MH20
MH2020P-35	22" R&C SLAB STYLE-"OVERLAND PARK"	MH21
MH207	24" R&C KCMO STD	MH21
MH20702	2" EXT RING FOR MH207	MH21
MH20725	2-1/2" RISER RING FOR MH207	MH21
MH20703	3" RISER RING FOR MH207	MH21
MH2070P-35	24" R&C OVERLAND PARK	MH21
MH208	23 1/4" R&C KCMO STD	MH22
MH208J	26 1/4" R&C JOHNSON COUNTY	MH22
MH208BS	25 1/4" R&C BLUE SPRINGS	MH22
MH208L	23 1/4" R&C "LIBERTY"	MH22
MH208R	23 1/4" R&C "RAYMORE"	MH22
MH20802	2" EXT RING FOR MH208	MH23
MH208025	2-1/2" EXT RING FOR MH208	MH23
MH20803	3" EXT RING FOR MH208	MH23
MH214	24" BOLTED R&C HEAVY DUTY	MH23
MH214J	24" BOLTED R&C JOHNSON COUNTY	MH23
MH215	24" R&C KCMO R3 R&C W/ CAM LK	MH23
MH215LC	24"KCMO R3 R&C LESS CAM LK	MH23
MH216	24" KCMO R4 R&C W/CAM LK	MH24
MH216LC	24" KCMO R&C LESS CAM	MH24
MH217	26" R&C W/24" CLEAR OPENING	MH24
MH218	24-1/2" KCMO TYPE "B" METER BOX	MH24
MH219	31" 'KCMO TYPE C W/INNER LID	MH25
MH220	31" KCMO TYPE D W/INNER LID	MH25
MH225	23-3/4" R&C "SEWER"	MH25
MH256	23-3/4" R&C WATER TIGHT	MH25
MH590	24-5/8" 'CORPUS CHRISTI A90 SIDEWALK	MH26

Manhole Rings & Covers

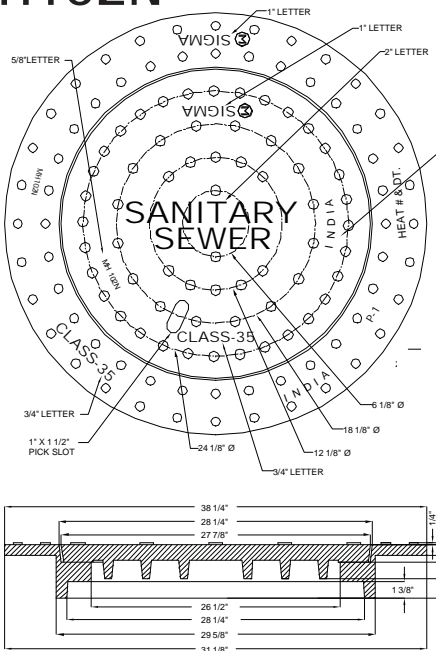
Municipal

MH100N-35 (Oklahoma City, OK)



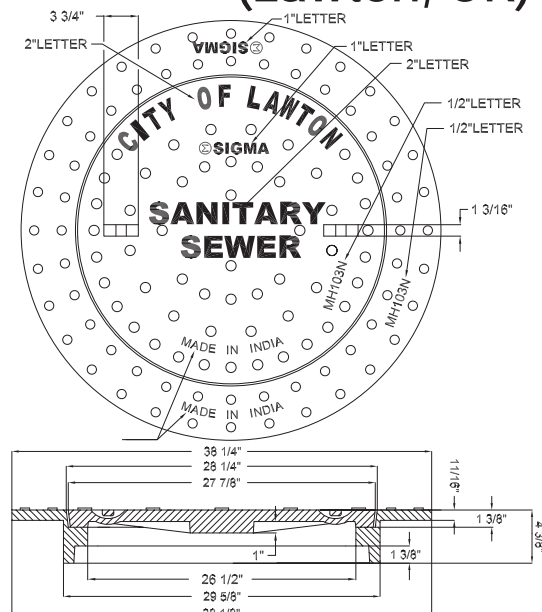
Weight: 437 lbs.

MH102N



Weight: 405 lbs.

MH103N (Lawton, OK)



Weight: 395 lbs.

C
A
S
T
I
N
G
S

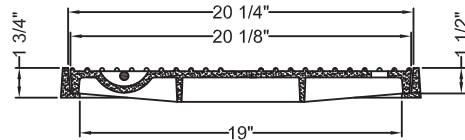
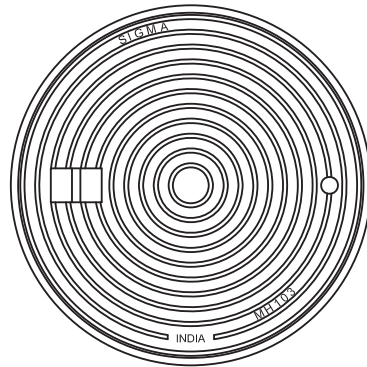


Municipal

Manhole Rings & Covers

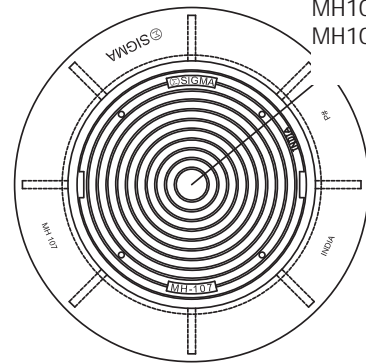
C
A
S
T
I
R
O
N
S
I
G
N
S

MH103

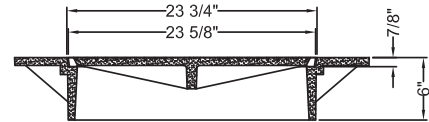


Weight: 70 lbs.

MH107



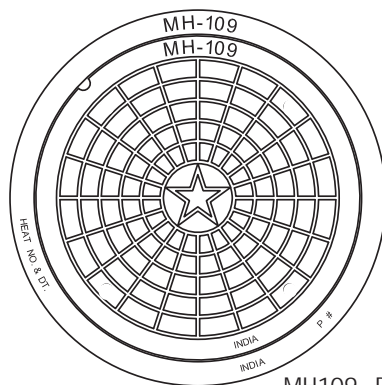
MH107P - Plain
MH107T - 'STORM'



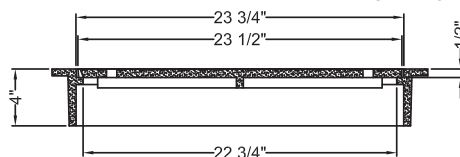
MH107P

Weight: 310 lbs.

MH109

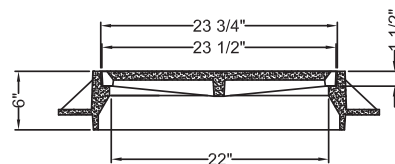
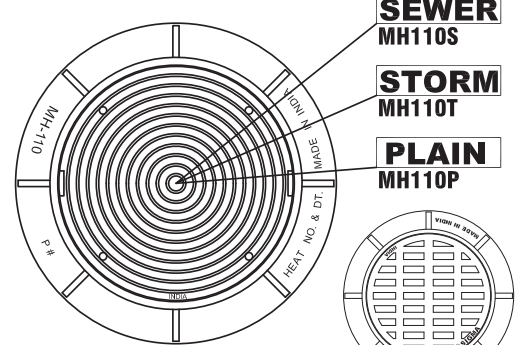


MH109 - Plain
MH109T - 'STORM'



Weight: 130 lbs.

MH110

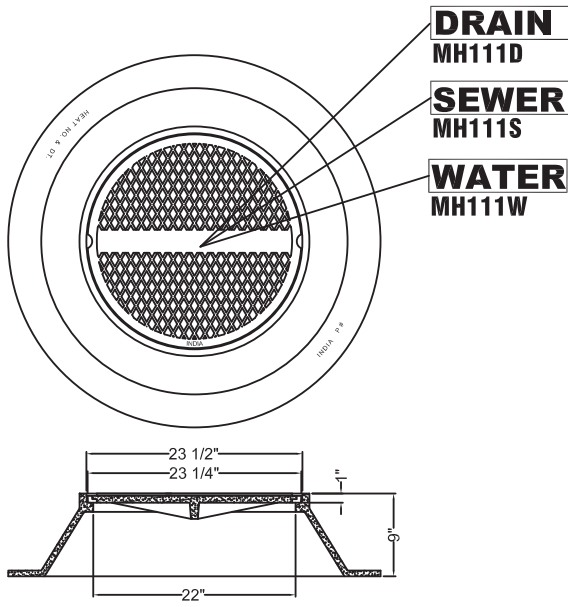


Weight: 275 lbs.

Manhole Rings & Covers

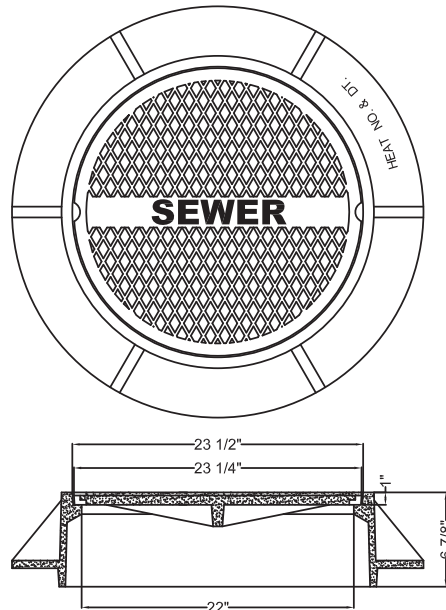
Municipal

MH111



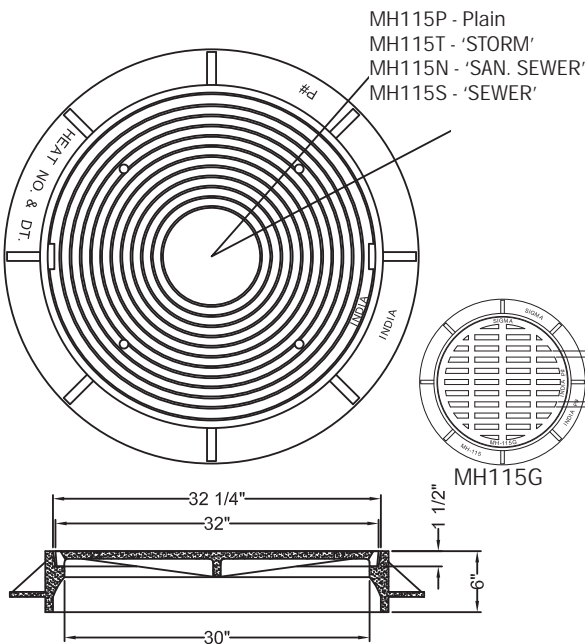
Weight: 352 lbs.

MH112



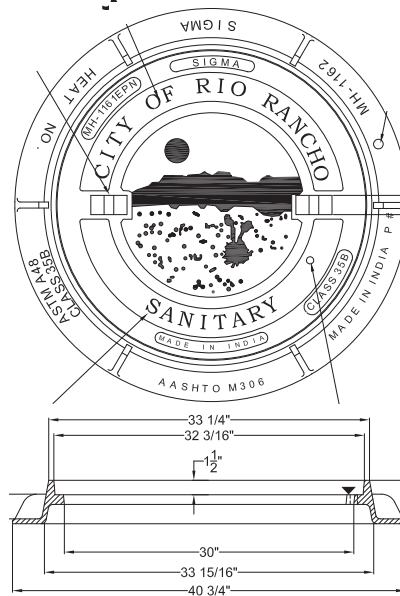
Weight: 296 lbs.

MH115



Weight: 296 lbs.

MH116EPN
(City of Rio Rancho)



Weight: 381 lbs.

C
A
S
T
I
N
G
S

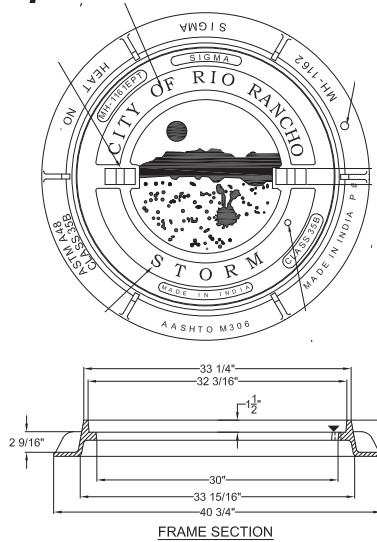


Municipal

Manhole Rings & Covers

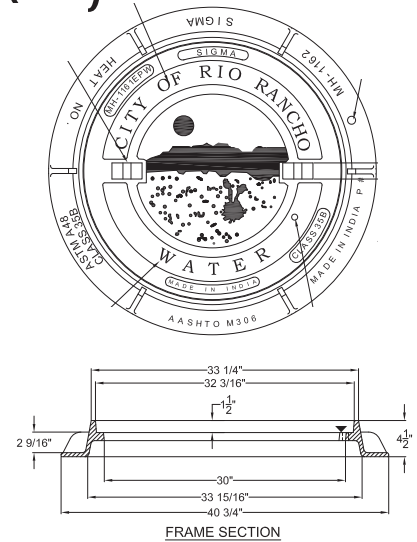
CASTING

MH116EPT
(City of Rio Rancho)



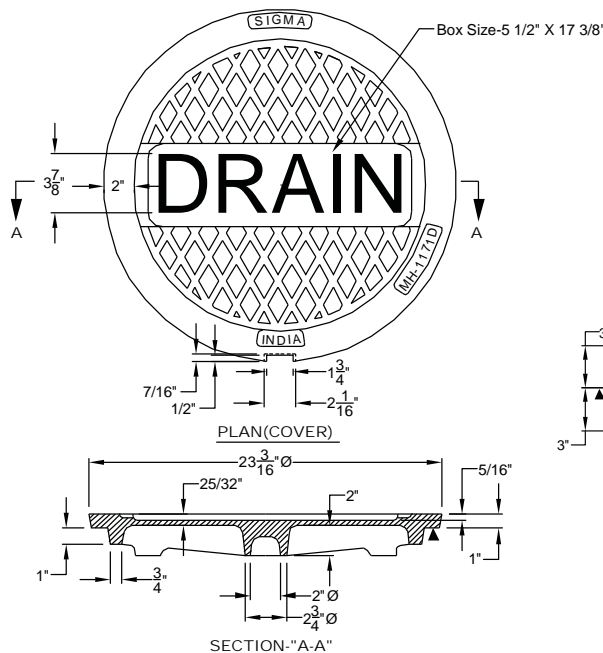
Weight: 381 lbs.

MH116EPW
(City of Rio Rancho)



Weight: 381 lbs.

MH117D
(Louisiana Junction Box)

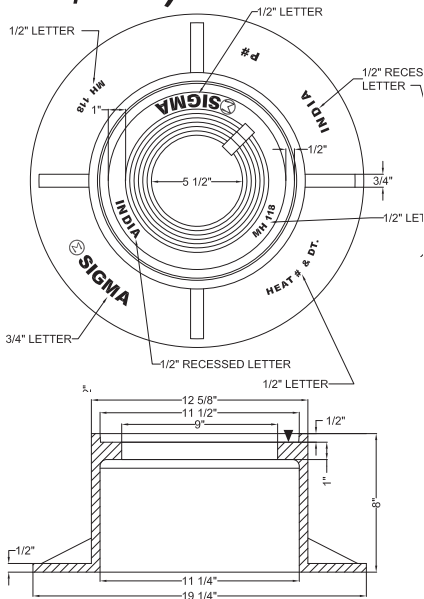


Weight: 240 lbs.

Manhole Rings & Covers

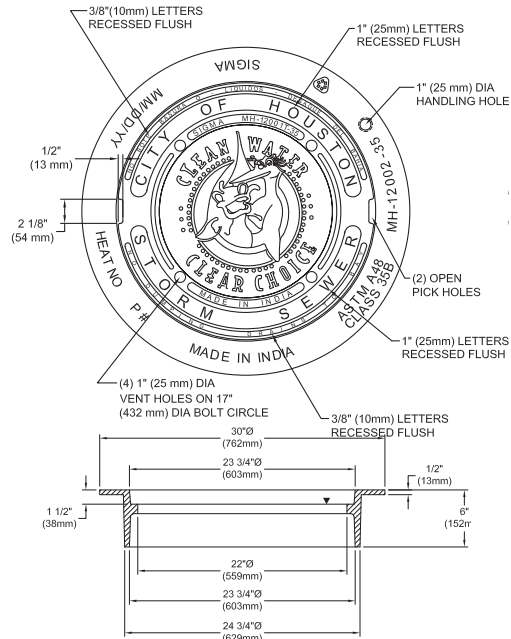
Municipal

MH118 (Tulsa, OK)



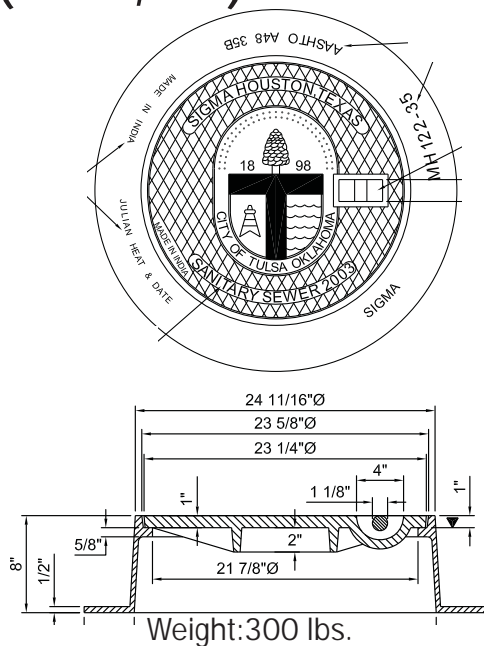
Weight: 120 lbs.

MH1200T-35



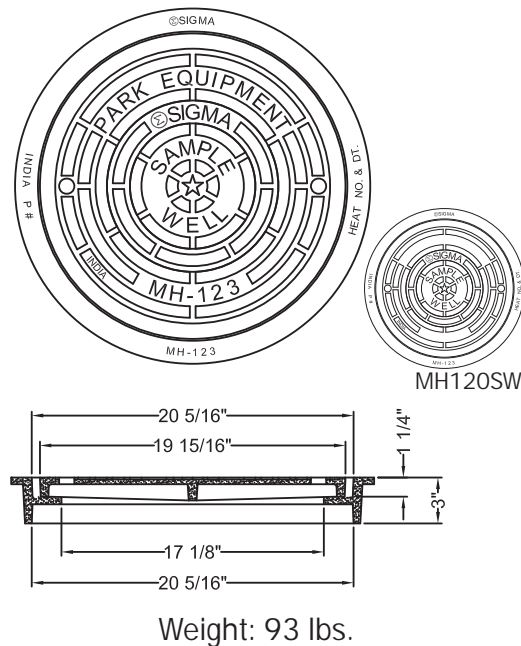
Weight: 300 lbs.

MH122N-35 (Tulsa, OK)



Weight: 300 lbs.

MH123SW



Weight: 93 lbs.

C
A
S
T
I
N
G
S

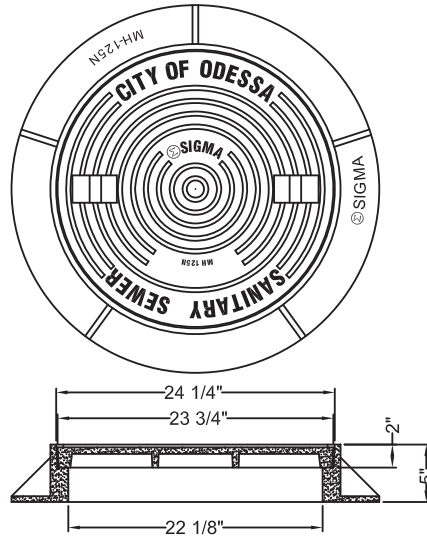


Municipal

Manhole Rings & Covers

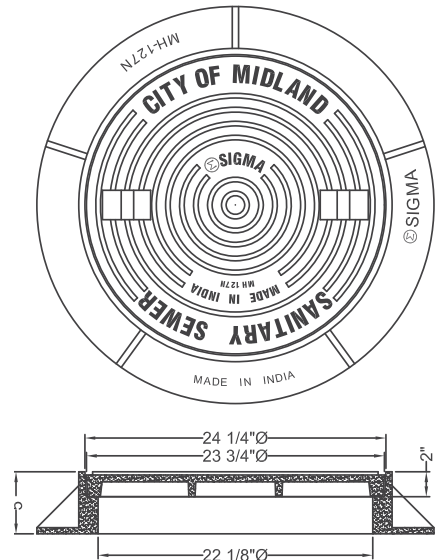
CAST-IRON

MH125N
(Odessa, TX)



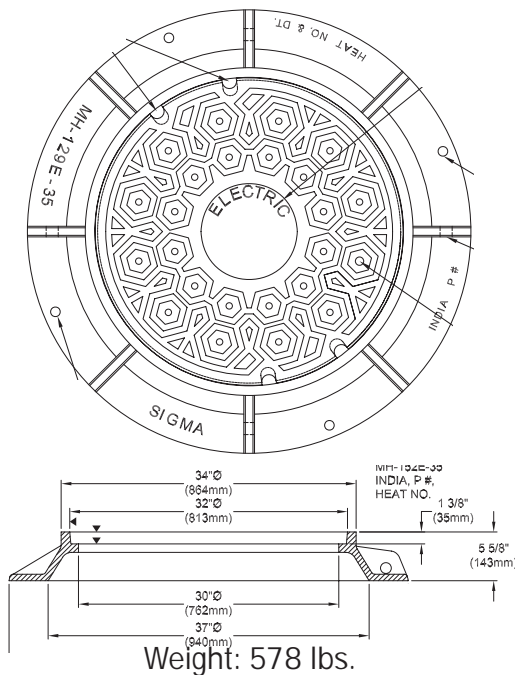
Weight: 300 lbs.

MH127N
(Midland, TX)



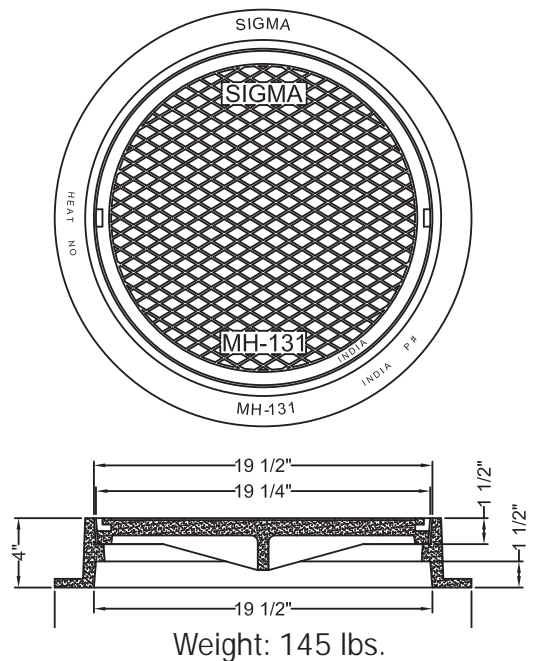
Weight: 300 lbs.

MH129E-35



Weight: 578 lbs.

MH131



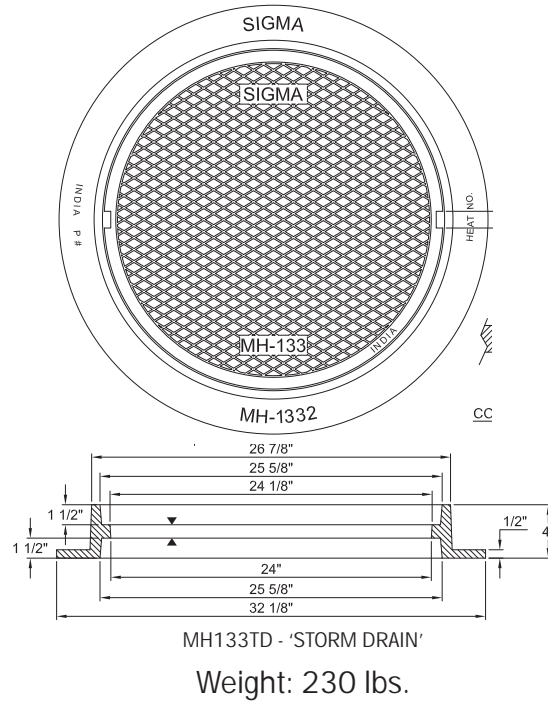
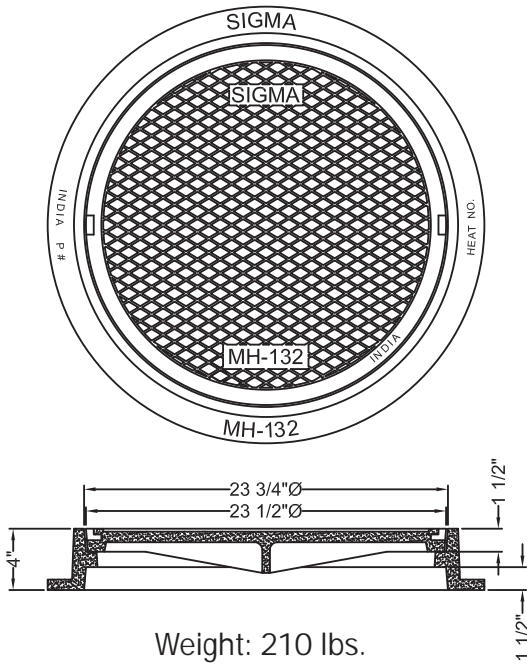
Weight: 145 lbs.

Manhole Rings & Covers

Municipal

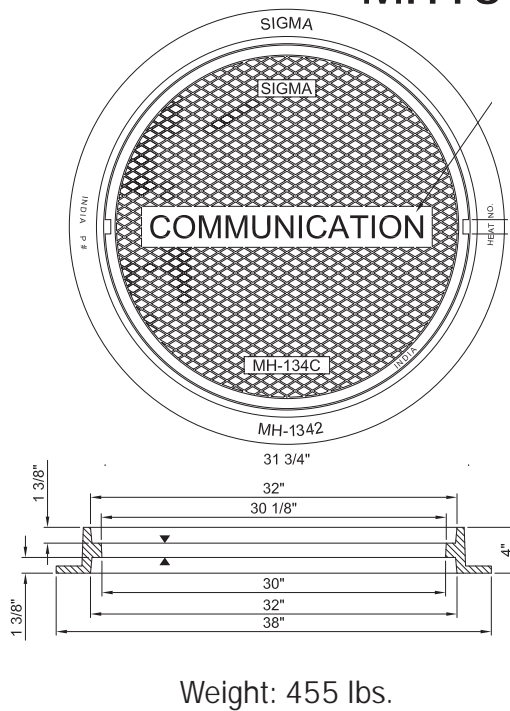
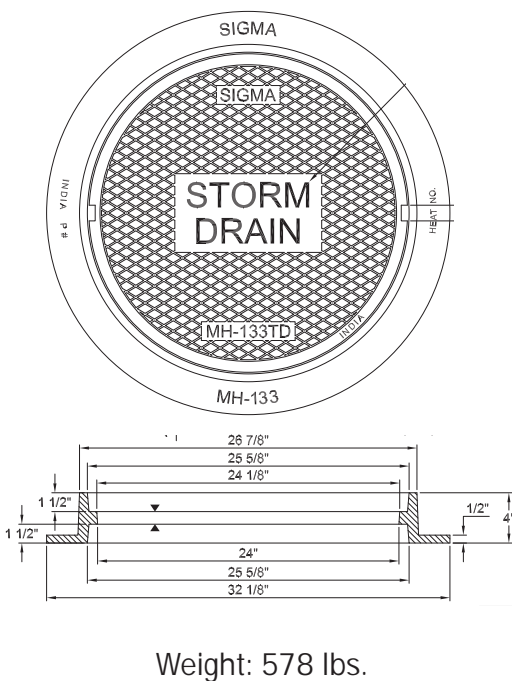
MH132

MH133



MH133TD

MH134C



CAST-IRON SIGMA

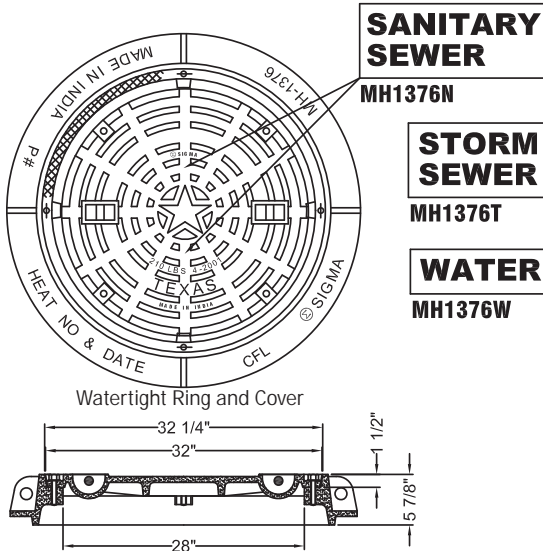


Municipal

Manhole Rings & Covers

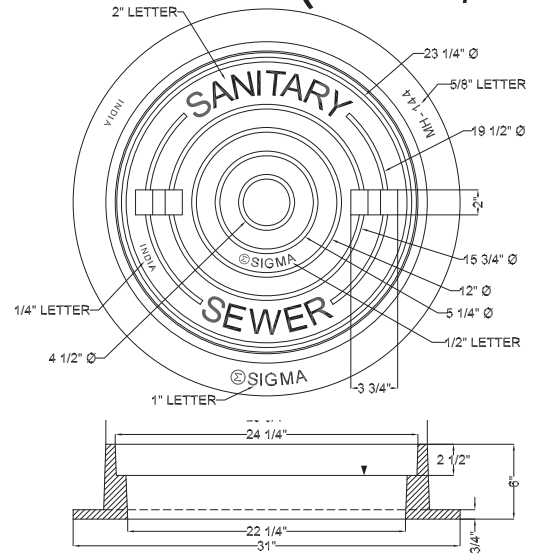
CAST IRON

MH1376 (Cedar Park, TX)



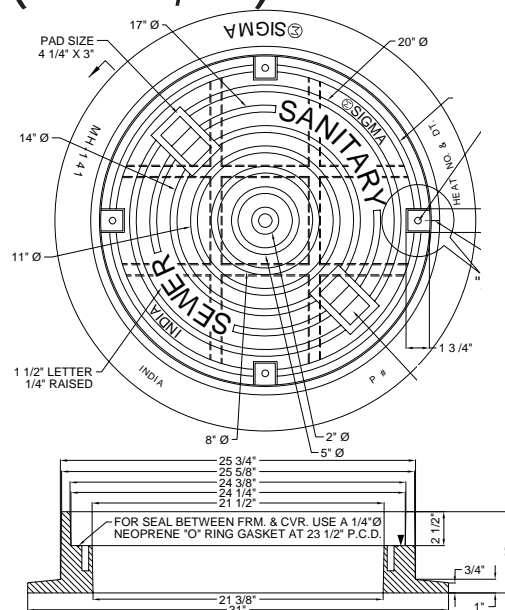
Weight: 430 lbs.

MH140N (Dallas, TX)



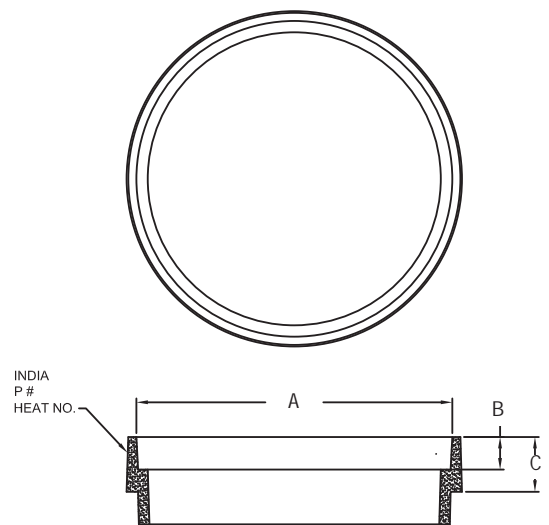
Weight: 375 lbs.

MH141 (Dallas, TX)



Weight: 395 lbs.

Risers for MH140 & MH141

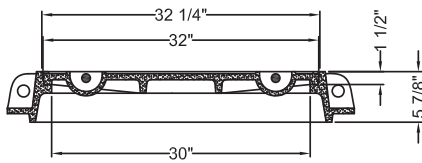
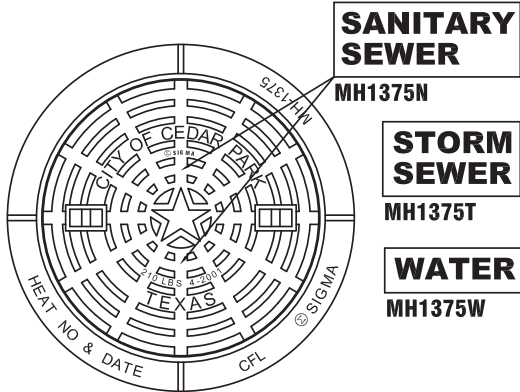


Item	A	B	C	Wt.
MH1403	24-1/4	2-1/2	3	100
MH1404	24-1/4	2-1/2	4	130

Manhole Rings & Covers

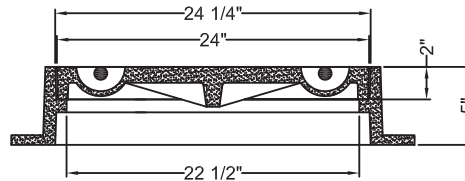
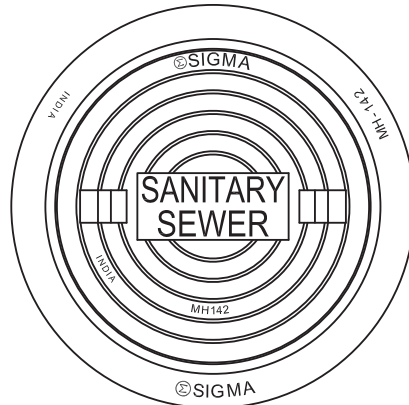
Municipal

MH1375 (Cedar Park, TX)



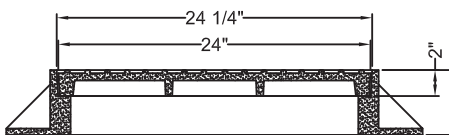
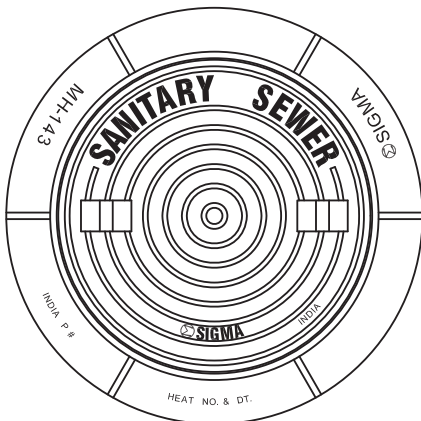
Weight: 430 lbs.

MH142N



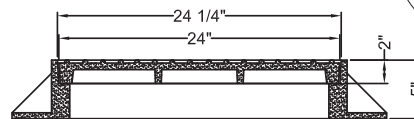
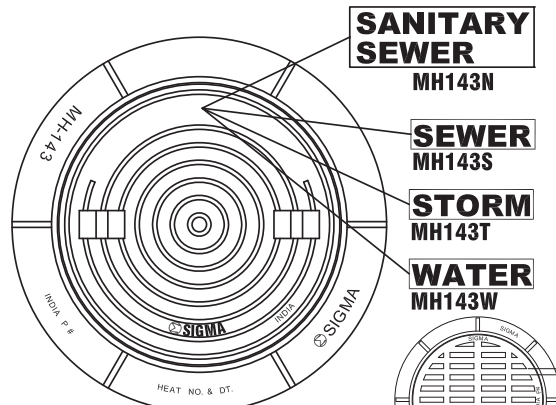
Weight: 280 lbs.

MH143LN

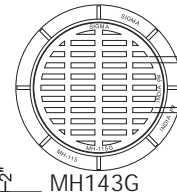


Weight: 265 lbs.

MH143



Weight: 275 lbs.



C
A
S
T
I
N
S
I
G
N

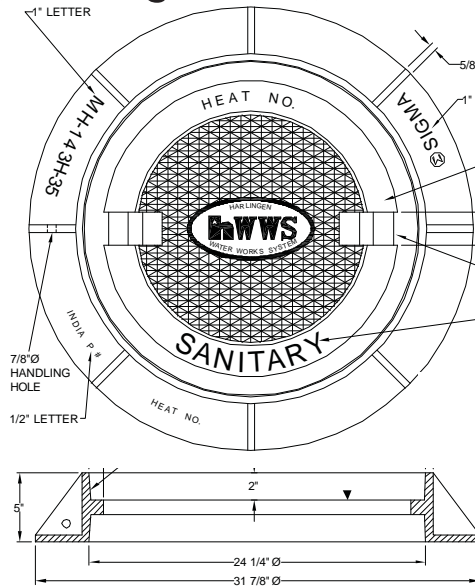


Municipal

Manhole Rings & Covers

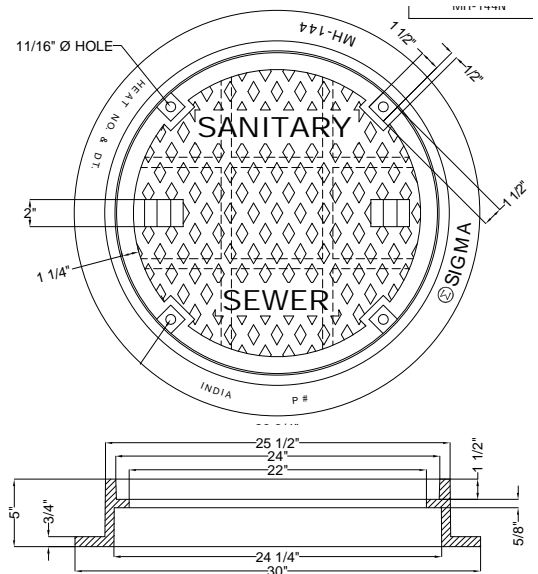
CAST-IRON

MH143HN-35
(Harlingen, TX)



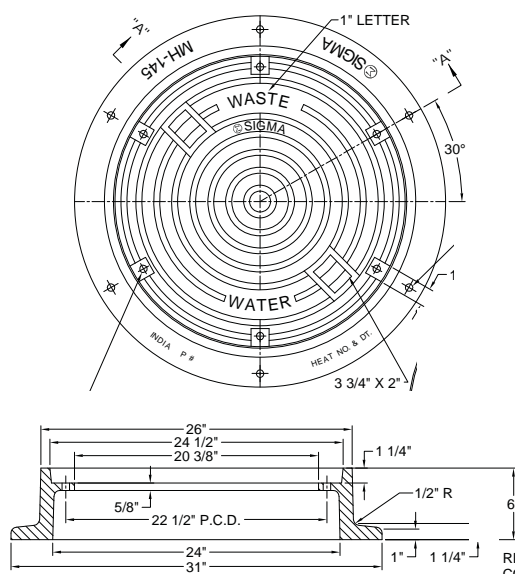
Weight: 280 lbs.

MH144N



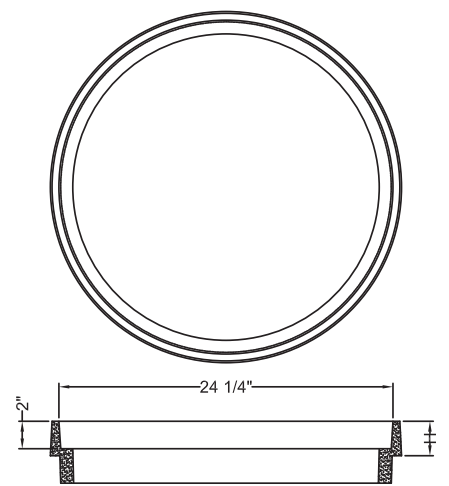
Weight: 285 lbs.

MH145WW



Weight: 362 lbs.

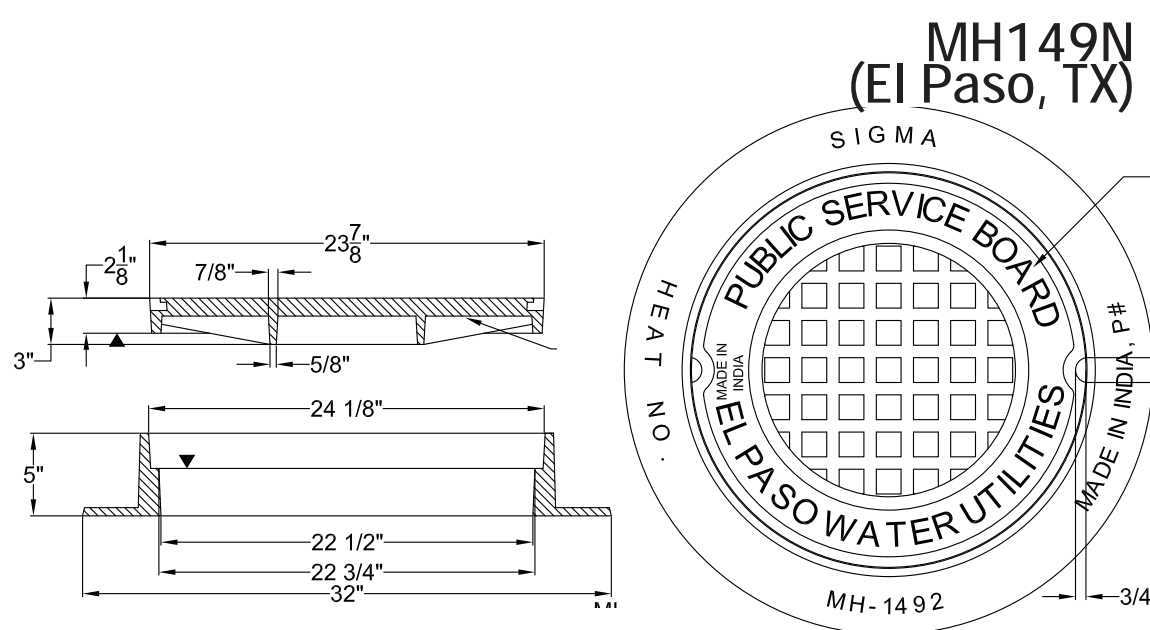
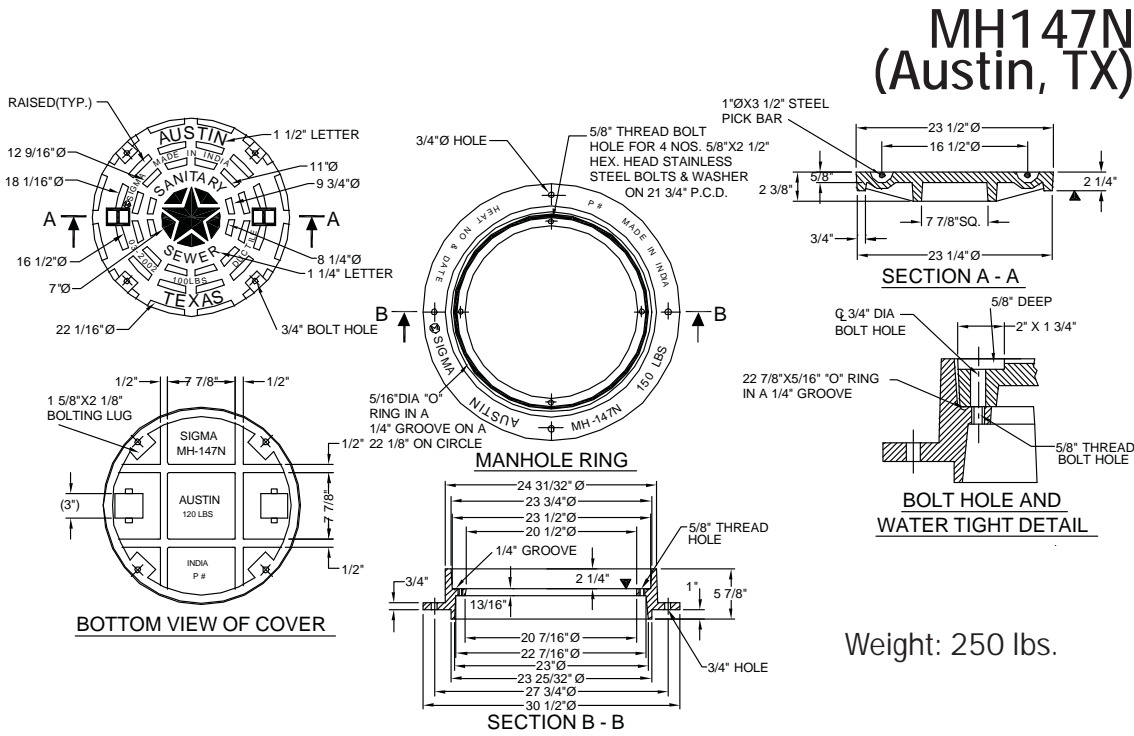
Risers for MH143



Item	Ext Size	H	Wt.
MH14325	2-1/2	2-1/2	75
MH1433	3	3	90
MH1434	4	4	108
MH1436	6	6	145

Manhole Rings & Covers

Municipal



C
A
S
T
I
N
G
S

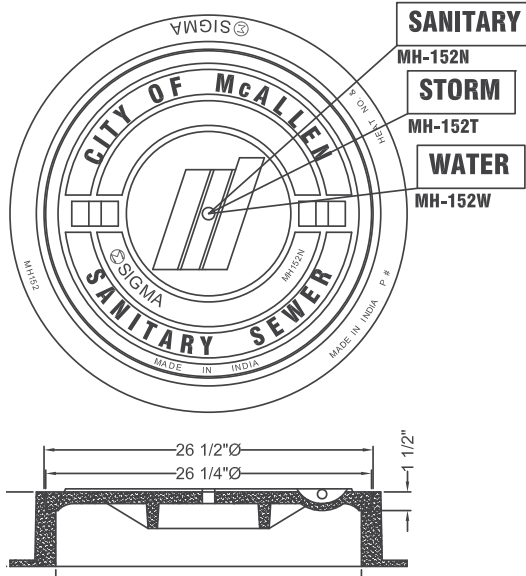


Municipal

Manhole Rings & Covers

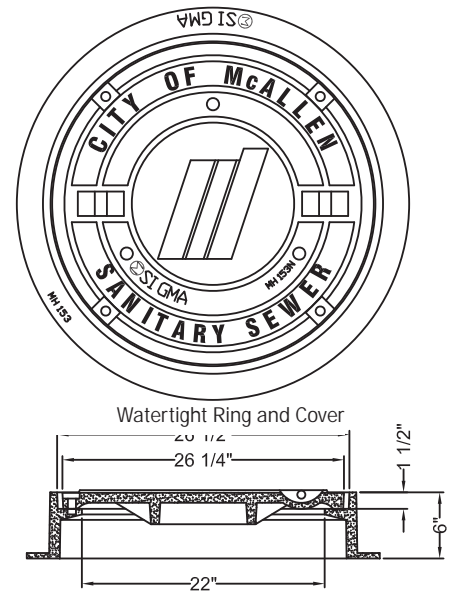
C
A
S
T
I
N
G
S
S

MH152
(McAllen, TX)



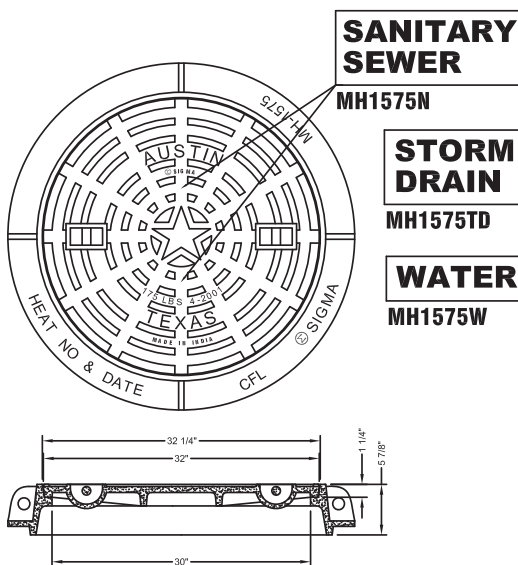
Weight: 400 lbs.

MH153
(McAllen, TX)



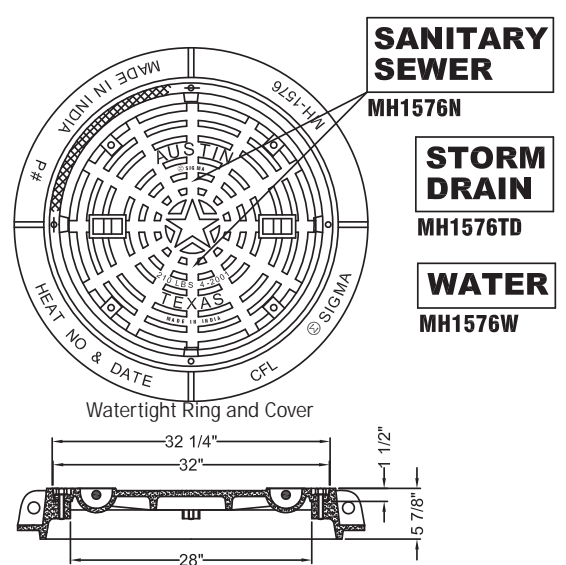
Weight: 408 lbs.

MH1575
(Austin, TX)



Weight: 385 lbs.

MH1576
(Austin, TX)

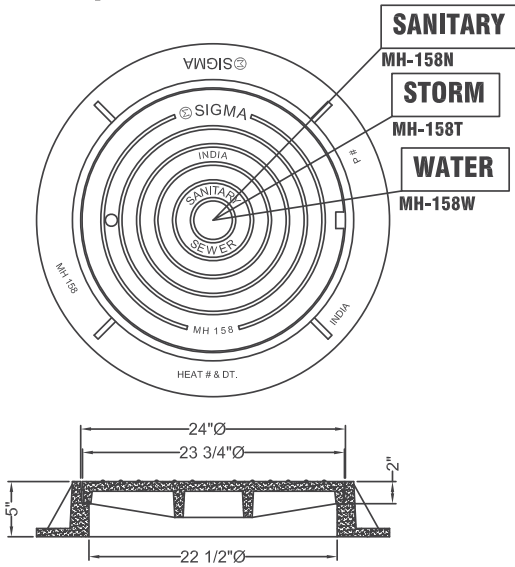


Weight: 395 lbs.

Manhole Rings & Covers

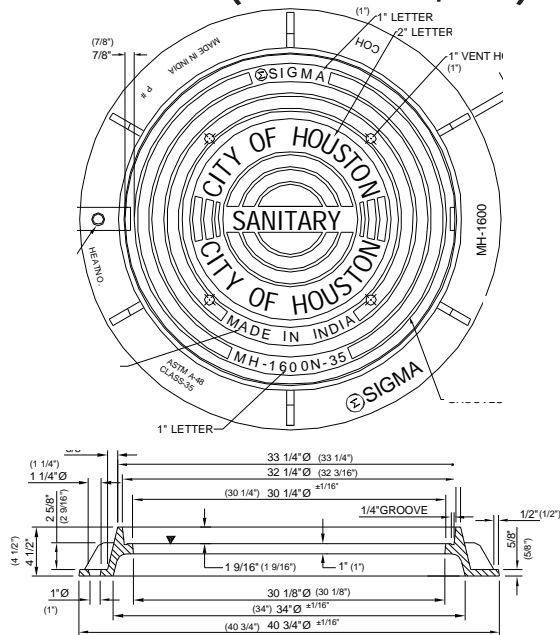
Municipal

MH158 (Corpus Christi, TX)



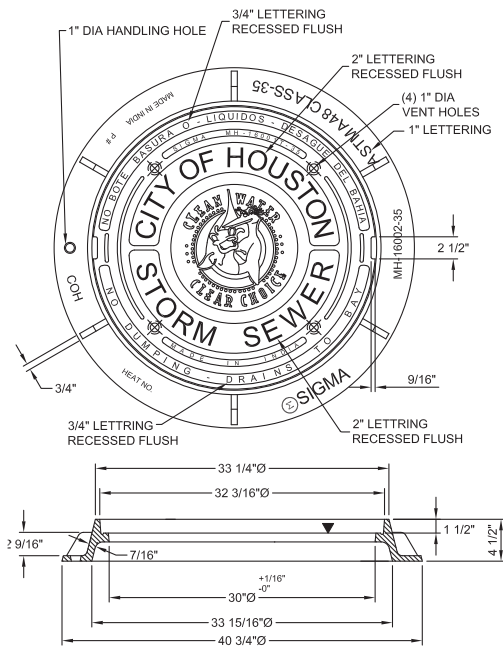
Weight: 340 lbs.

MH1600-35 (Houston, TX)



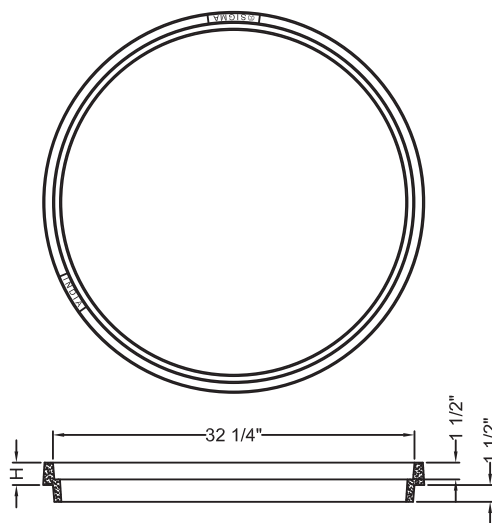
Weight: 441 lbs.

MH1600T-35



Weight: 441 lbs.

Risers for MH1600-35



Item	Ext Size	H	Wt.
MH16003-35	2	2	77
MH16004-35	3	3	122
MH16005-35	4	4	165

C
A
S
T
I
N
G
S

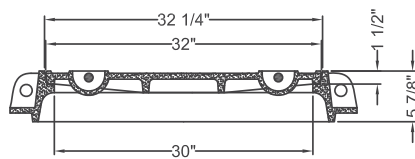
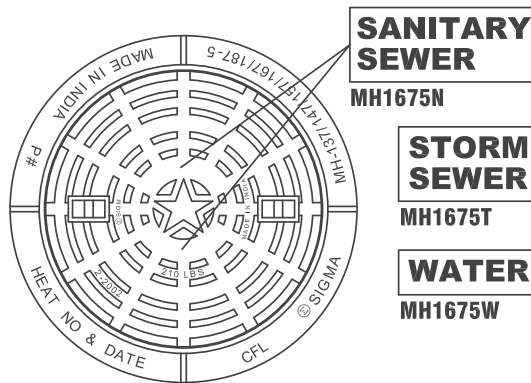


Municipal

Manhole Rings & Covers

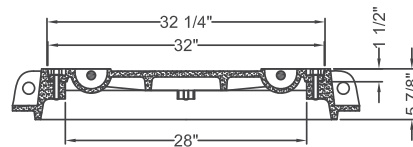
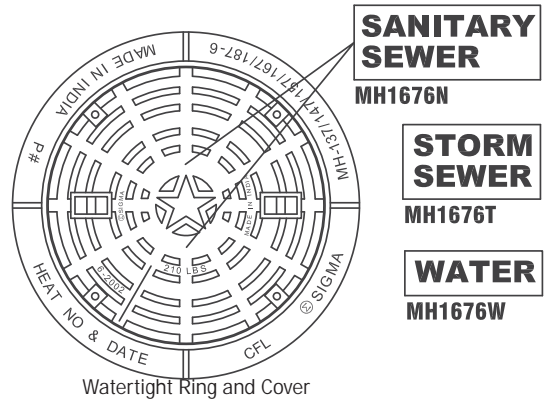
CAST IRON

MH1675



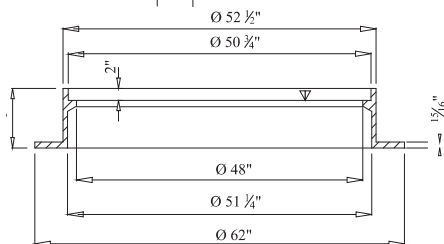
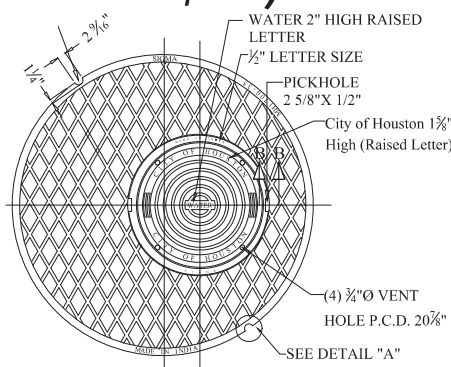
Weight: 430 lbs.

MH1676



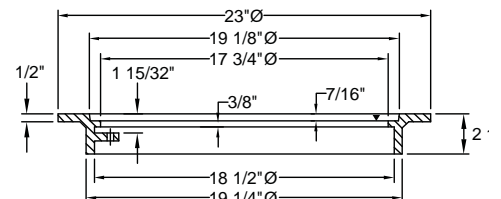
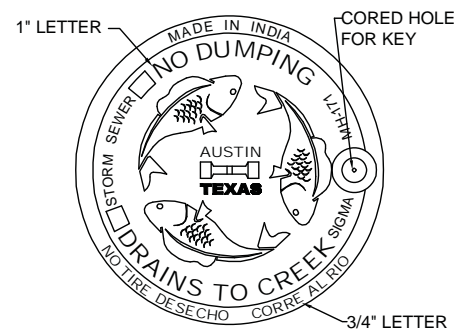
Weight: 430 lbs.

MH1700W
(Houston, TX)



Weight: 1580 lbs.

MH171
(Austin, TX)



Weight: 71 lbs.

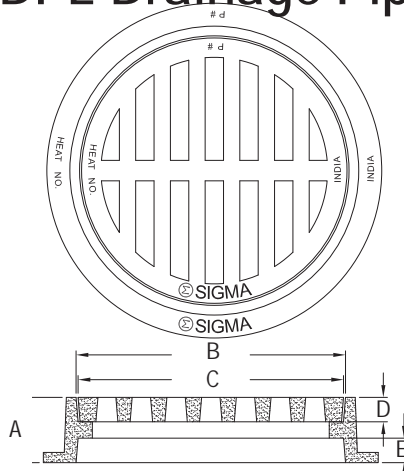


Municipal

Manhole Rings & Covers

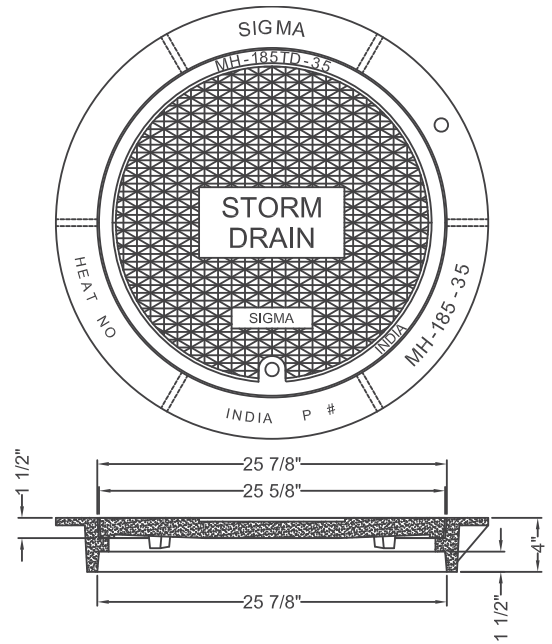
C
A
S
T
I
R
O
N
S
G
N

Rings and Grates for HDPE Drainage Pipe

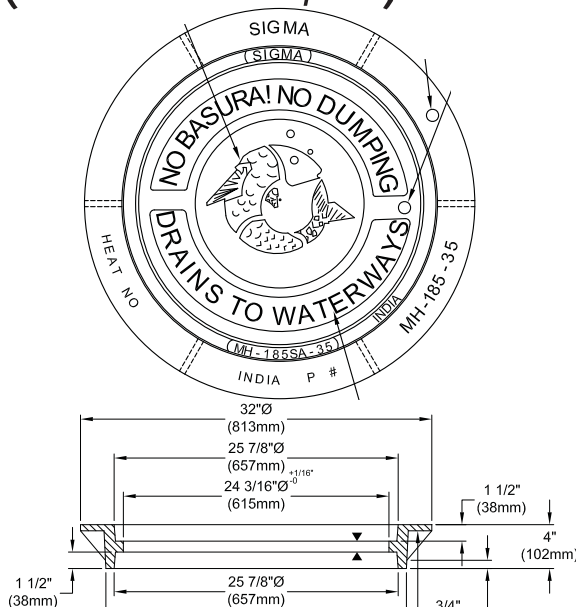


Item	A	B	C	D	E	Wt.
MH1812G	4	10-1/2	10-1/4	1-1/2	1-1/2	55
MH1815G	4	13-1/2	13-1/4	1-1/2	1-1/2	80
MH1818G	4	16-1/2	16-1/4	1-1/2	1-1/2	116
MH1824G	4	22-1/8	21-7/8	1-1/2	1-1/2	175

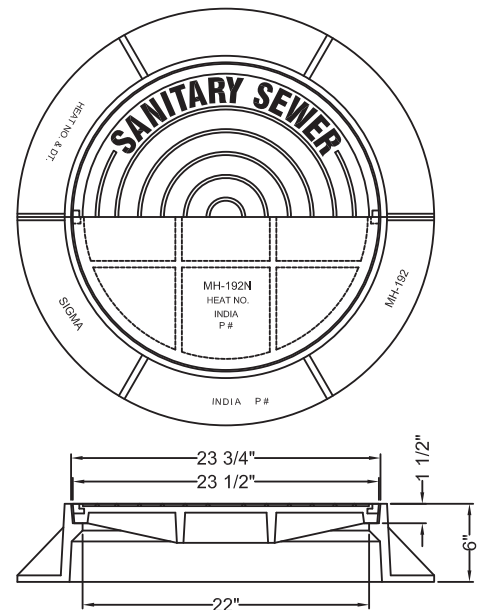
MH185TD-35



MH185SA-35 (San Antonio, TX)



MH192N

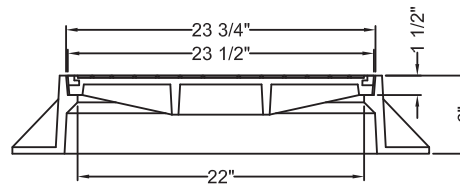
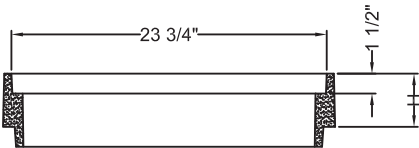
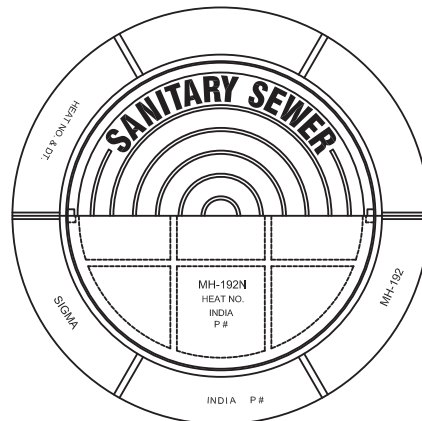
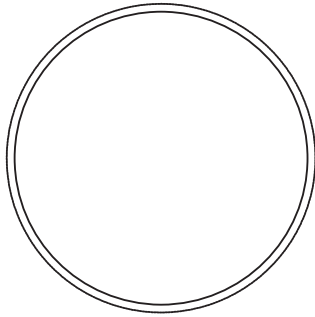


Manhole Rings & Covers

Municipal

Risers for MH192

MH192LN



Item	Ext Size	H	Wt.
MH1922	2	2	56
MH1923	3	3	80
MH1924	4	4	95
MH1926	6	6	161

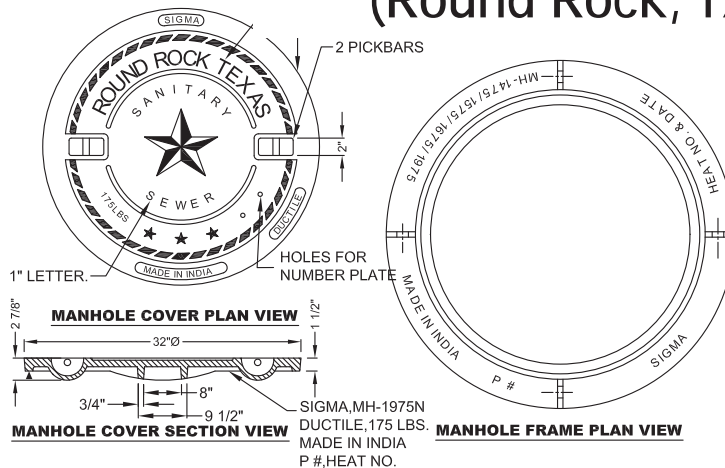
MH192LN: 222 lbs.

CAST-IRON

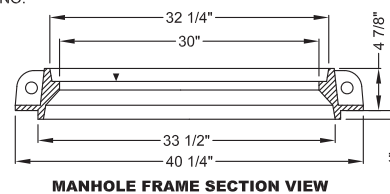
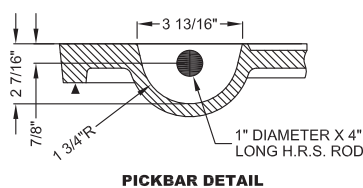
MH1975 (Round Rock, TX)

MH1975N
'SANITARY SEWER'

MH1975T
'STORM'



Weight: 395 lbs.



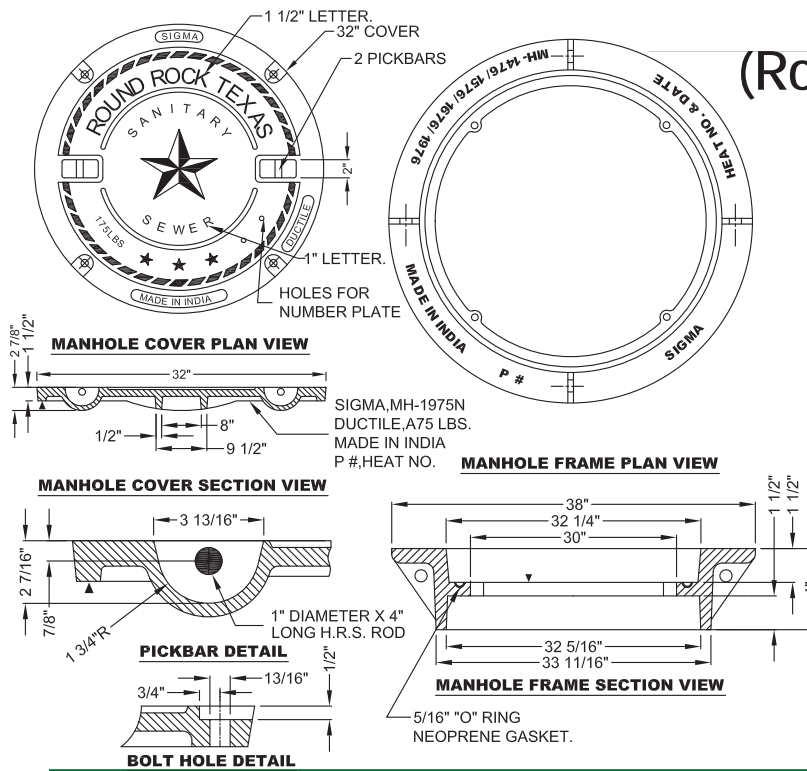


Municipal

Manhole Rings & Covers

CAST IRON

MH1976 (Round Rock, TX)



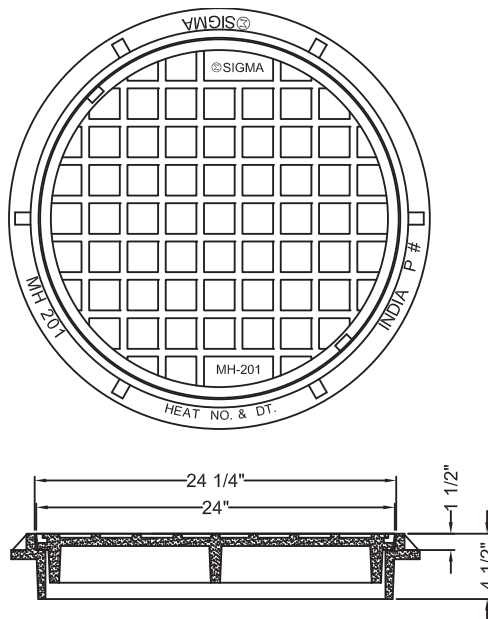
Watertight Ring and Cover

MH1976N
'SANITARY SEWER'

MH1976T
'STORM'

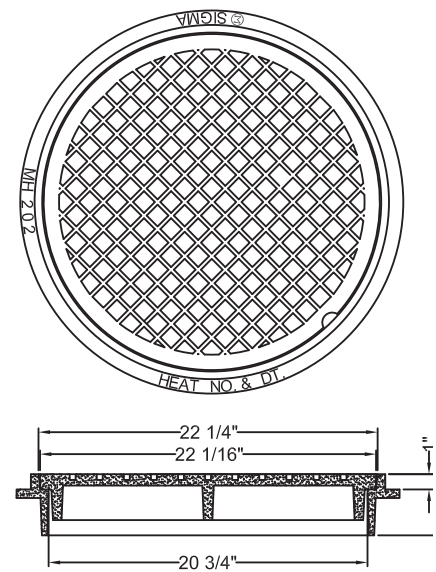
Weight: 395 lbs.

MH201



Weight: 298 lbs.

MH202



Weight: 175 lbs.

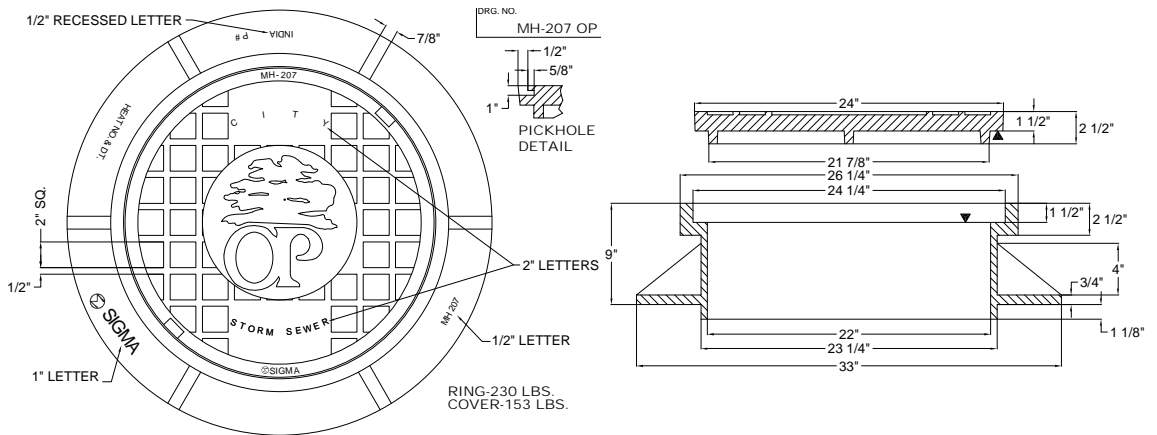


Municipal

Manhole Rings & Covers

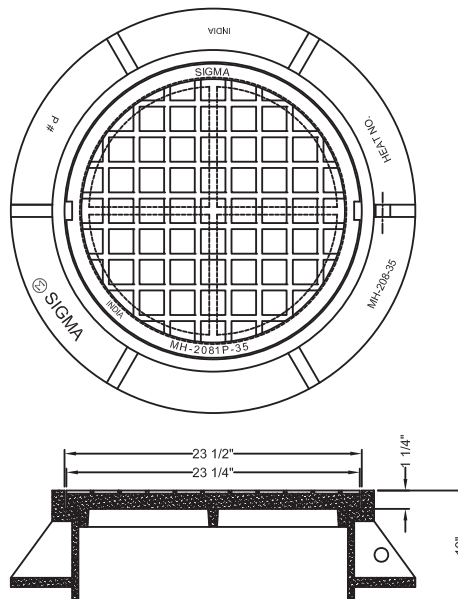
CAST-IRON

MH207OP-35 (Overland Park, KS)

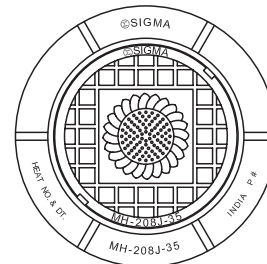


Weight: 383 lbs.

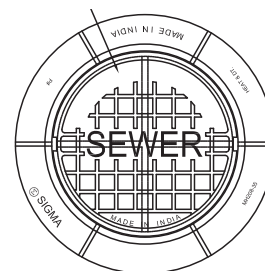
MH208



Weight: 298 lbs.



MH208J
Johnson County

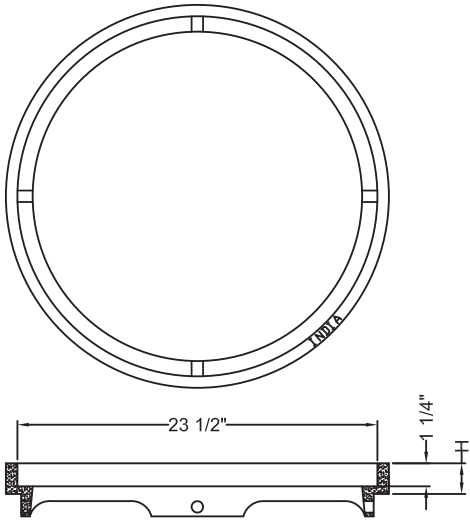


- MH208B
City of Belton
- MH208BS
City of Blue Springs
- MH208L
City of Liberty
- MH208R
City of Raymore

Manhole Rings & Covers

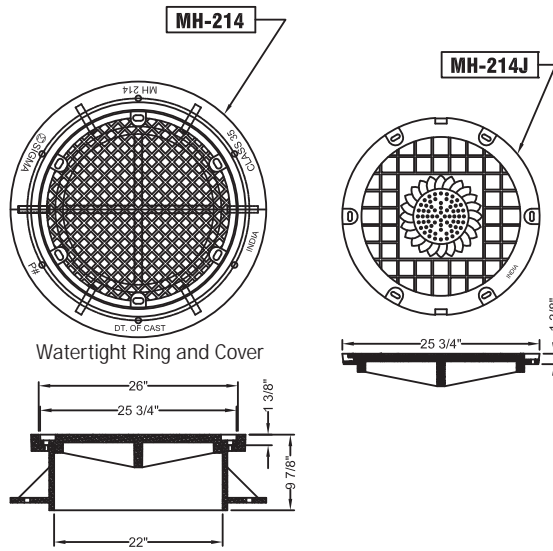
Municipal

Risers for MH208



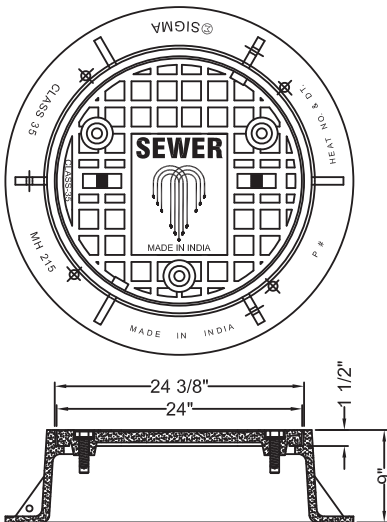
Item	Ext Size	H	Wt.
MH20802	2	2	51
MH20825	2-1/2	2-1/2	61
MH20803	3	3	80

MH214 /MH214J



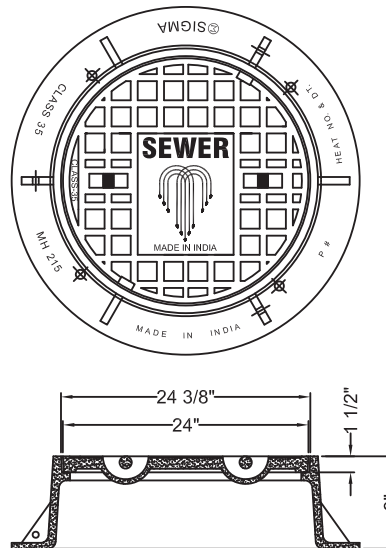
Weight: 425 lbs.

MH215 (Kansas City, MO)



Weight: 332 lbs.

MH215LC (Kansas City, MO)



Weight: 316 lbs.

C
A
S
T
I
N
G

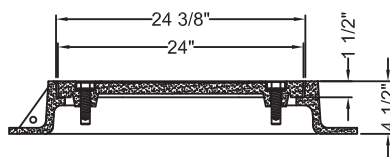


Municipal

Manhole Rings & Covers

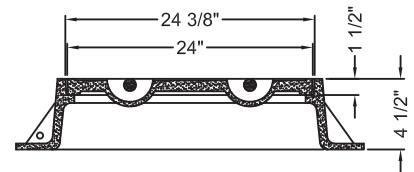
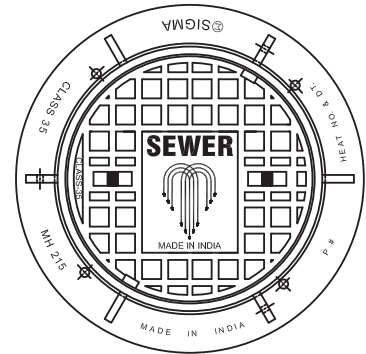
C
A
S
T
I
R
O
N
S
T
E
E
L

MH216
(Kansas City, MO)



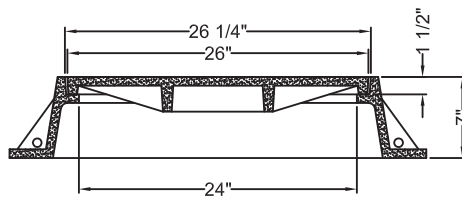
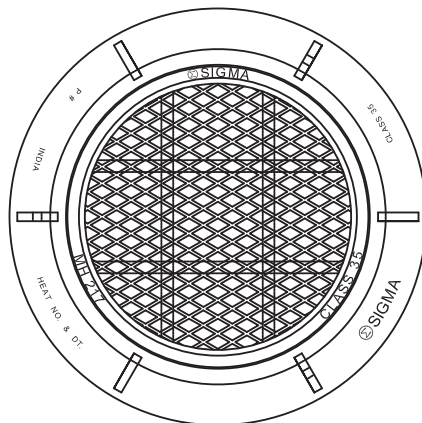
Weight: 245 lbs.

MH216LC
(Kansas City, MO)



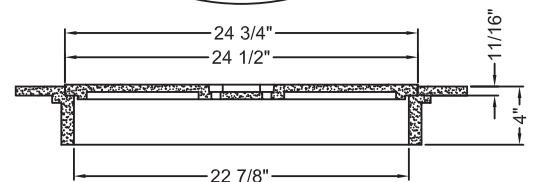
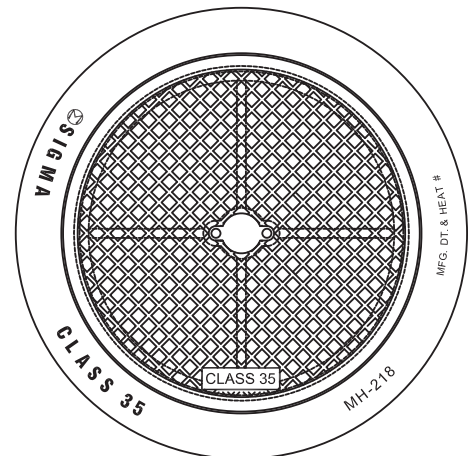
Weight: 245 lbs.

MH217



Weight: 360 lbs.

MH218

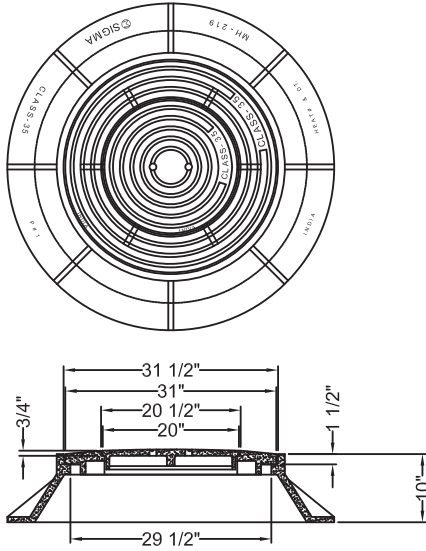


Weight: 140 lbs.

Manhole Rings & Covers

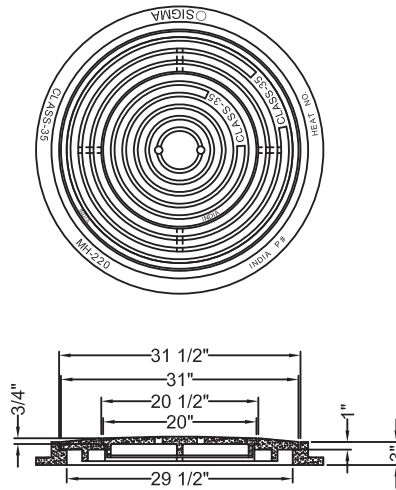
Municipal

MH219



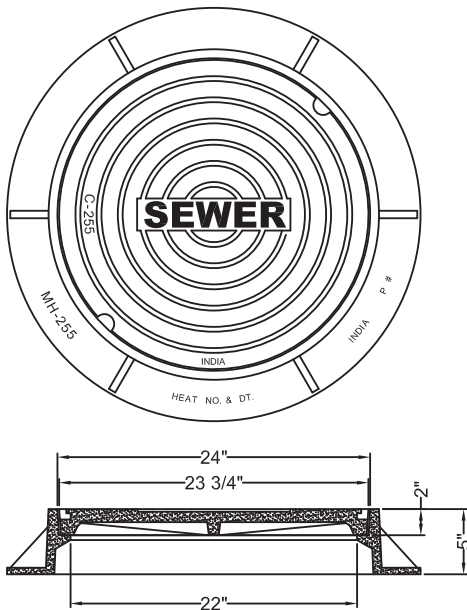
Weight: 700 lbs.

MH220



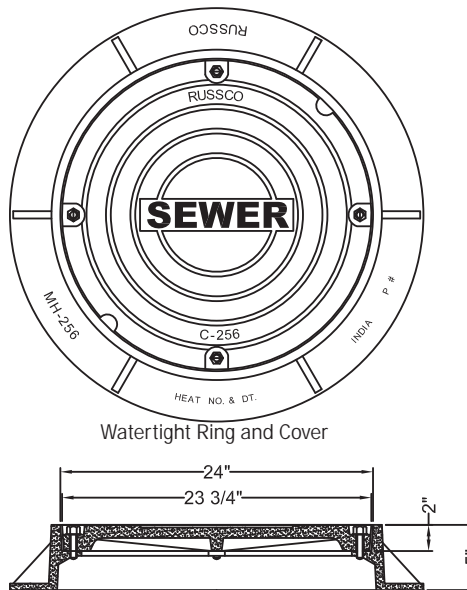
Weight: 505 lbs.

MH255



Weight: 233 lbs.

MH256



Weight: 233 lbs.

C A S T I R O N S I G N S

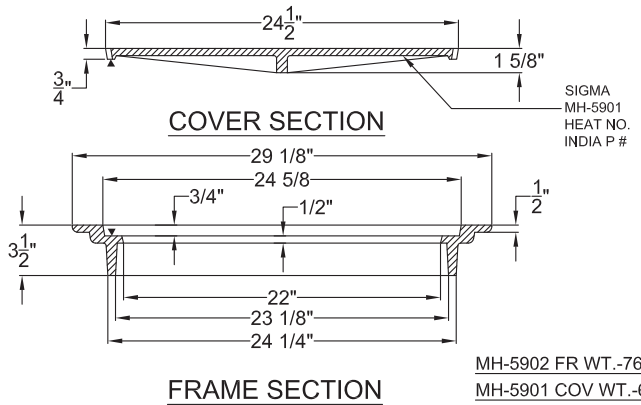
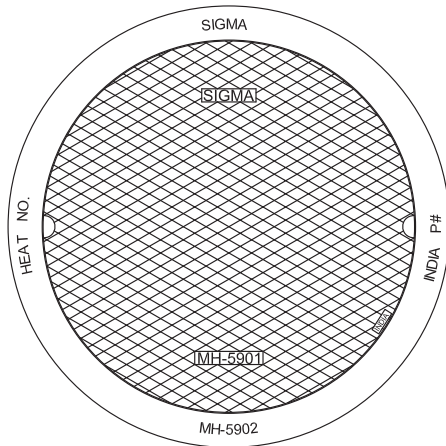


Municipal

Manhole Rings & Covers

MH590

C
A
S
T
I
N
S
T
E
E
L



Weight: 160 lbs.