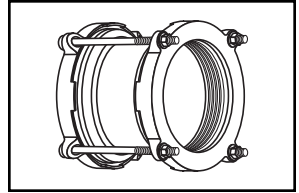
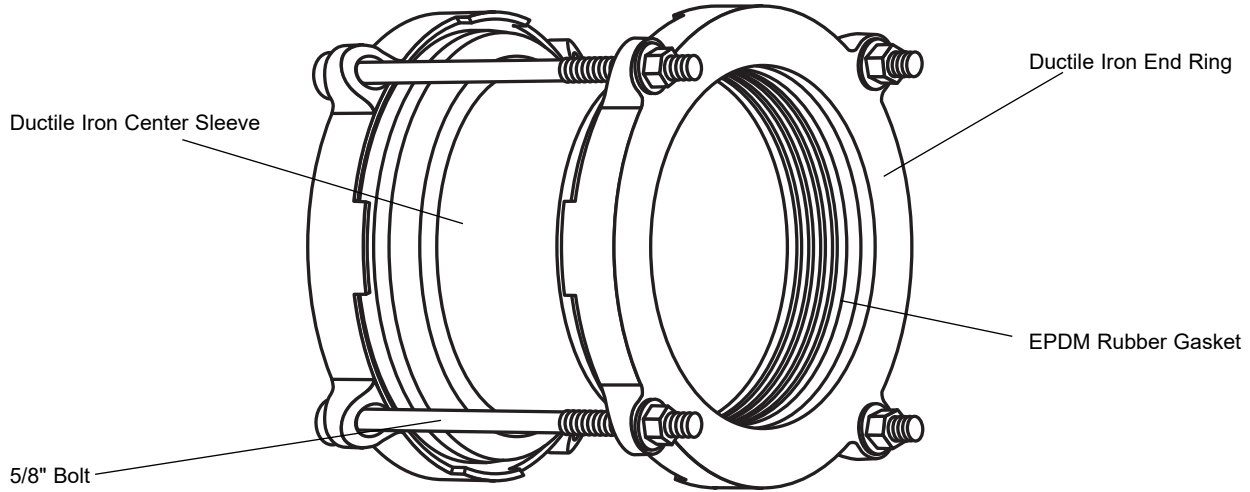


# SUBMITTAL INFORMATION

Ductile Iron Wide Range Transition Coupling - (FC2W-xx-SH-EPDM style)



**3" - 16" STYLE FC2W COUPLINGS FOR JOINING PIPES WITH VARIOUS O.D.'S  
WITH 304 STAINLESS STEEL HARDWARE**



NOMINAL PIPE SIZE	RANGE (INCHES)	RANGE (MM)	BOLT DIAMETER	NUMBER OF BOLTS	SLEEVE LENGTH	APPROX. WT. LBS	PART NUMBER	✓ SUBMITTED ITEM(S)
3"	2.50 - 4.29	63.5 - 109.0	5/8"	3	7"	27	FC2W-3-SH-EPDM	
4"	3.96 - 5.60	100.6 - 142.2	5/8"	4	7"	35	FC2W-4-SH-EPDM	
6"	6.23 - 7.60	158.2 - 193.0	5/8"	4	7"	44	FC2W-6-SH-EPDM	
8"	8.40 - 9.75	213.3 - 247.6	5/8"	4	7"	52	FC2W-8-SH-EPDM	
10"	10.75 - 12.12	273.0 - 307.8	5/8"	6	9"	85	FC2W-10-SH-EPDM	
12"	12.75 - 14.38	323.8 - 365.2	5/8"	6	9"	97	FC2W-12-SH-EPDM	
16"	16.00 - 17.80	406.4 - 452.12	5/8"	8	10"	135	FC2W-16-SH-EPDM	

Pipes smaller than the published range may be joined using the FC2W coupling at a reduced pressure rating. Contact Ford Meter Box for details.

## FEATURES

- Center Sleeve: Ductile iron per ASTM A536 Grade 65-45-12
- End Rings: Ductile iron per ASTM A536 Grade 65-45-12
- Bolts and nuts: 18-8 Type 304 per ASTM A193 and ASTM A194  
Bolts have an oval neck beneath the head which rests within the end ring to prevent bolts from rotating while tightening.
- Coating: Black, fusion bonded epoxy applied per AWWA C213
- Gasket: EPDM rubber per ASTM D2000
- Pressure Rating: 350 psi rated working water pressure in sizes 3" through 12"  
250 psi rated working water pressure in 16"
- NSF 61 approved
- Complies with AWWA C219

The Ford Meter Box Company considers the information in this submittal form to be correct at the time of publication. Item and option availability, including specifications, are subject to change without notice. Please verify that your product information is current.



**The Ford Meter Box Company, Inc.**  
P.O. Box 443, Wabash, Indiana U.S.A. 46992-0443  
Phone: 260-563-3171 / Fax: 800-826-3487  
Overseas Fax: 260-563-0167  
www.fordmeterbox.com

03/07/17

Submitted By: